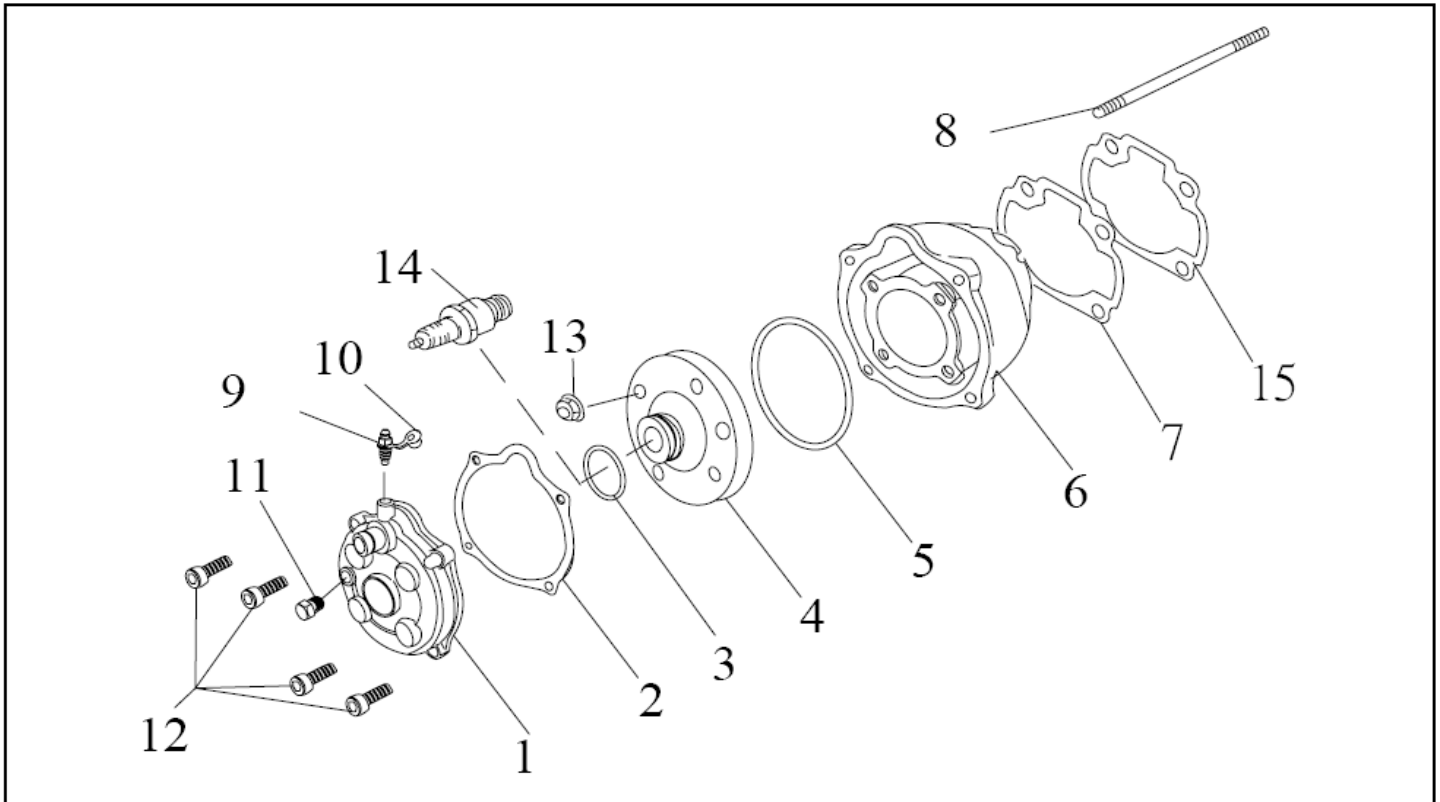
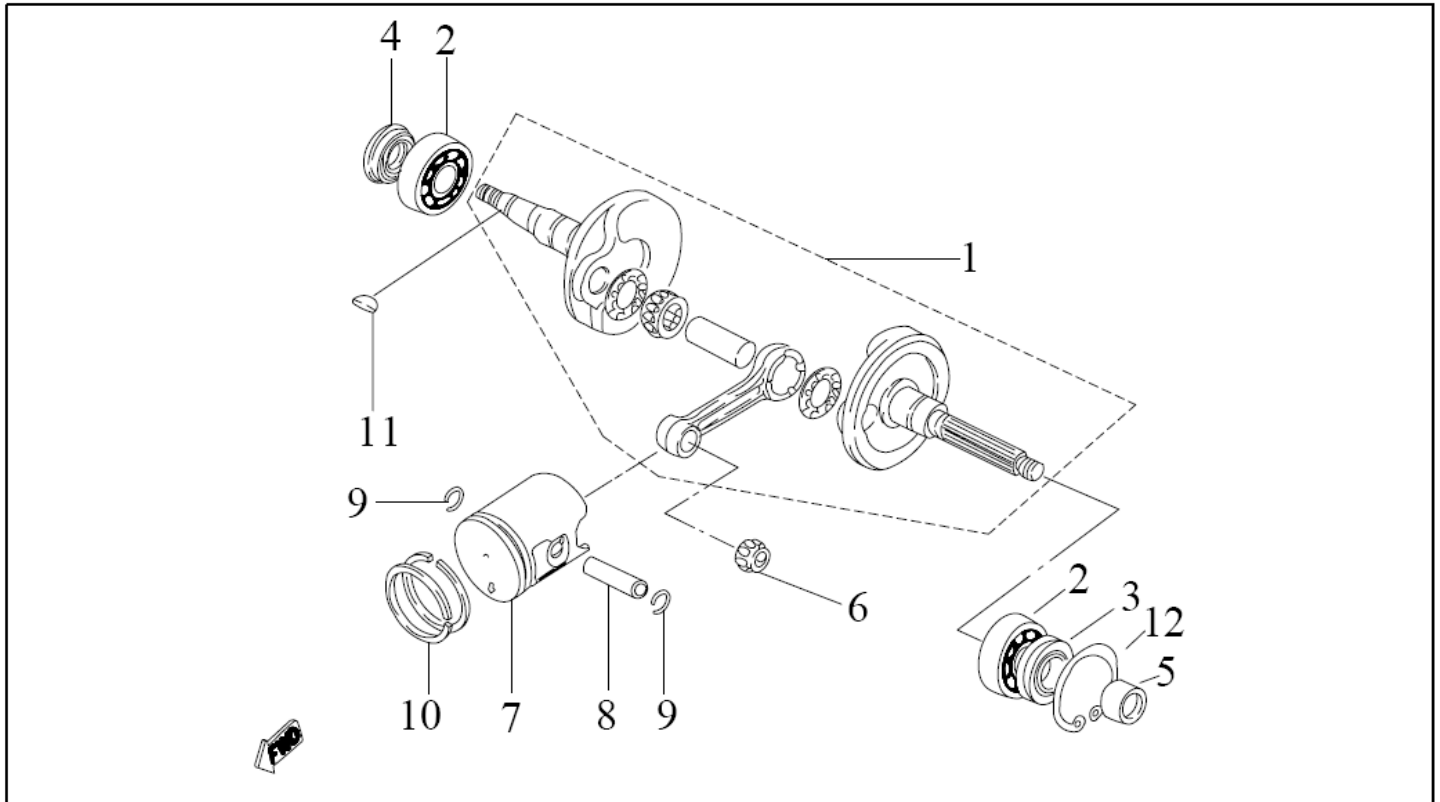


E-1, Cylinder, Cylinder Head & Spark Plug



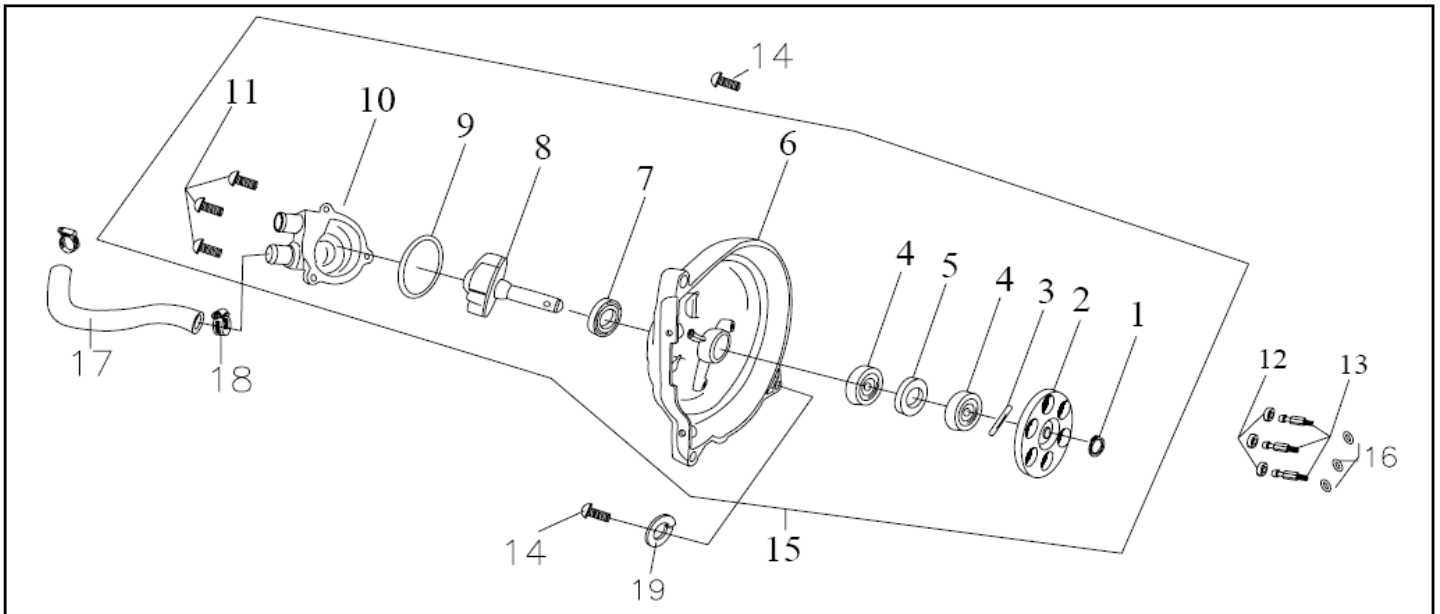
| Item | Part No.        | Part Name                  | Spec.          | Q'ty |
|------|-----------------|----------------------------|----------------|------|
| 1    | 12210-A2DL-000  | Head Cover, Cyl.           |                | 1    |
| 2    | 12251-A2DL-001  | Gasket, Head Cover         |                | 1    |
| 3    | 91300-240025    | Ring, Oil                  | 24*2.4         | 1    |
| 4    | 12200-A2DL-000  | Head, Cylinder             |                | 1    |
| 5    | 91300-560020    | Ring, Oil                  | 56*1.9         | 1    |
| 6    | 12100-A2DL-00A  | Cylinder                   | 53mm/78-0.77mm | 1    |
| 7    | 12191-A2C4-000  | Gasket, Cylinder           | 0.5mm          | 1    |
| 8    | 90800-07113     | Bolt, Stud                 | M7*113         | 4    |
| 9    | 15872-A2DL-000  | Bolt, Leaking              |                | 1    |
| 10   | 15873-A2DL-000  | Cap, Rubber                |                | 1    |
| 11   | 15240-A2DL-000  | Sensor, Overheat           |                | 1    |
| 12   | 91000-06015     | Hex. Socket Bolt           | M6*P1.0*15     | 4    |
| 13   | 94000-07100     | Hex. Acorm Washer Face Nut | M7x1.0         | 4    |
| 14   | 98069-NGK-BP8ES | Plug, Spark                | NGK BP8ES      | 1    |
| 15   | 12191-A2C4-00A  | Gasket, Cylinder           | 0.8mm          | 1    |

E-2, Piston & Crankshaft



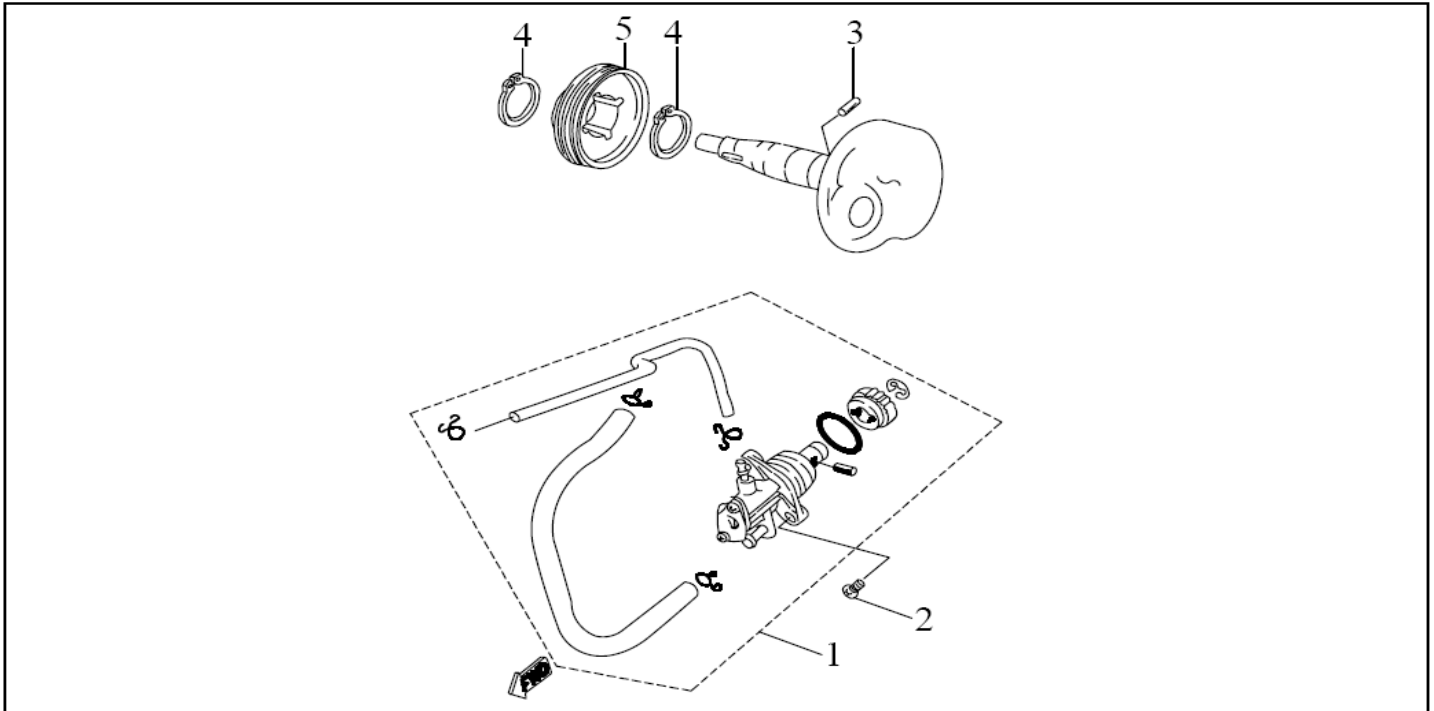
| Item | Part No.       | Part Name                | Spec.        | Q'ty |
|------|----------------|--------------------------|--------------|------|
| 1    | 13000-A2D-000  | Crankshaft Ass'y         | S=45mm       | 1    |
| 2    | 96200-6204C3   | Ball Bearing, Crankshaft | 6204C3       | 2    |
| 3    | 91200-20428    | Oil Seal, L. Crank       | 20x42/43x8/9 | 1    |
| 4    | 91200-20306    | Oil Seal, R. Crank       | 20x30/33.5x6 | 1    |
| 5    | 13200-A2C4-000 | Collar                   | 16×21×15     | 1    |
| 6    | 96110-KBK12    | Bearing, Needle          | 12×15×16.6   | 1    |
| 7    | 13300-A2DL-000 | Piston (std.)            | 53mm         | 1    |
| 8    | 13400-A2C4-000 | Pin, Piston              | 8x12x40      | 1    |
| 9    | 13410-A2C4-000 | Clip, Piston Pin         | 12mm         | 2    |
| 10   | 13310-A2DL-000 | Rings, Piston (std.)     | 53mm         | 1    |
| 11   | 13010-A2C4-000 | Key, Woodruff            | 3x13         | 1    |
| 12   | 90500-RTW42    | Circlip                  | IRTW-42      | 1    |

E-3, Pump Ass'y, Liquid



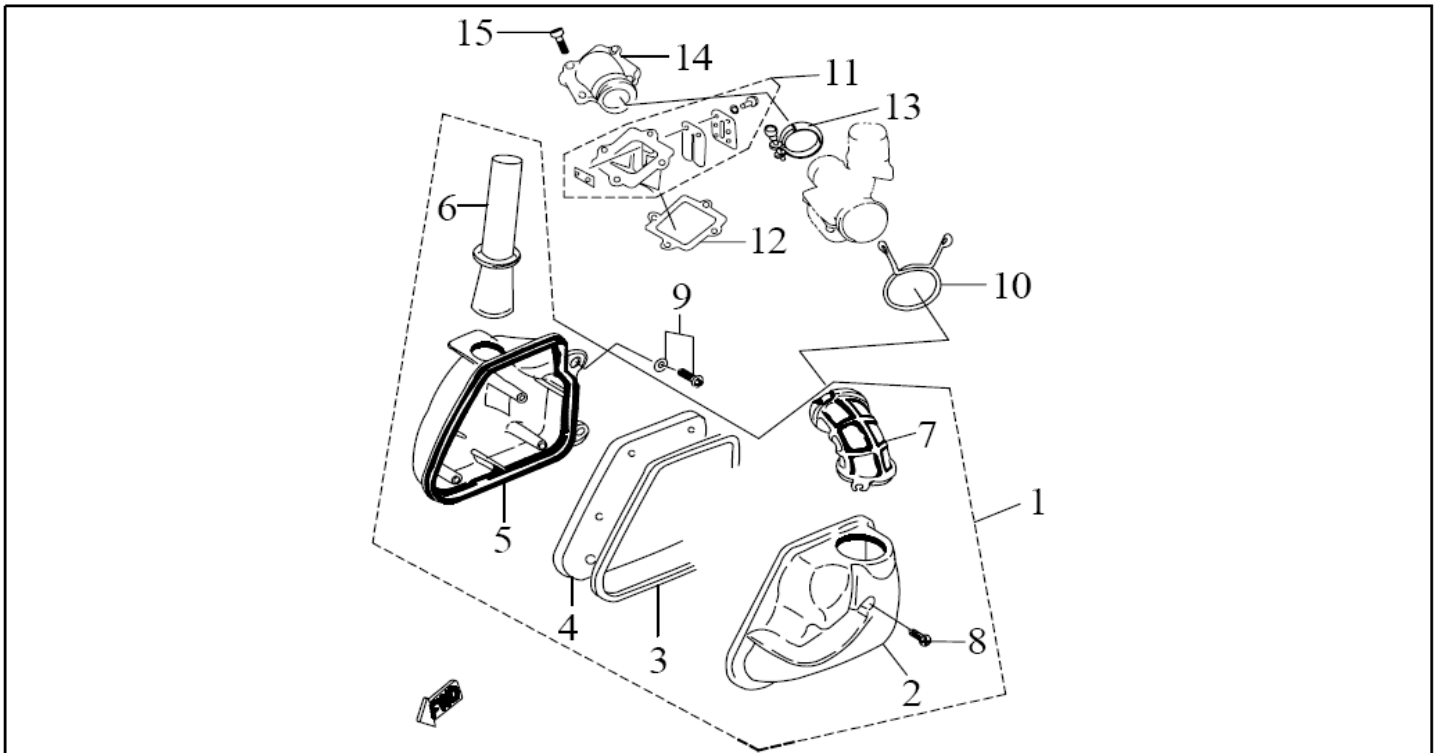
| Item | Part No.        | Part Name           | Spec.       | Q'ty |
|------|-----------------|---------------------|-------------|------|
| 1    | 90601-S08       | Cir. Clip, External | S-8         | 1    |
| 2    | 15211-A2DL-000  | Drive Wheel, Pump   |             | 1    |
| 3    | 96220-030215    | Pin                 | 3x21.5      | 1    |
| 4    | 96100-608LLU-C3 | Ball, Bearing       | 608LLU-C3   | 2    |
| 5    | 15216-A2DL-000  | Collar              | 16*21.8*4.5 | 1    |
| 6    | 15212-A2DL-000  | Body, Pump          |             | 1    |
| 7    | 91204-101804    | Seal, Oil           | 10*18*4     | 1    |
| 8    | 15213-A2DL-000  | Rotor Ass'y, Pump   |             | 1    |
| 9    | 91300-525020    | Ring, Oil           | 52.0*2.0    | 1    |
| 10   | 15215-A2DL-000  | Cap, Pump           |             | 1    |
| 11   | 91000-05020     | Hex,Socket Bolt     | M5x20       | 3    |
| 12   | 31130-A2DL-000  | Plug, Rubber        |             | 3    |
| 13   | 15875-A2DL-000  | Bolt, Drive Wheel   |             | 3    |
| 14   | 91000-06025     | Hex,Socket Bolt     | M6x25       | 2    |
| 15   | 15200-A2DL-000  | Pump Ass'y, Liquid  |             | 1    |
| 16   | 90426-061310    | Washer, Plate       | 6.5x13x1.0  | 3    |
| 17   | 15233-162421    | Hose B, Liquid      | L=210mm     | 1    |
| 18   | 16411-A2DL-000  | Clamp, Hose         | 1"          | 2    |
| 19   | SW-06512B       | Washer, Spring      | 6.5x12x1.5  | 1    |

E-4, Oil Pump



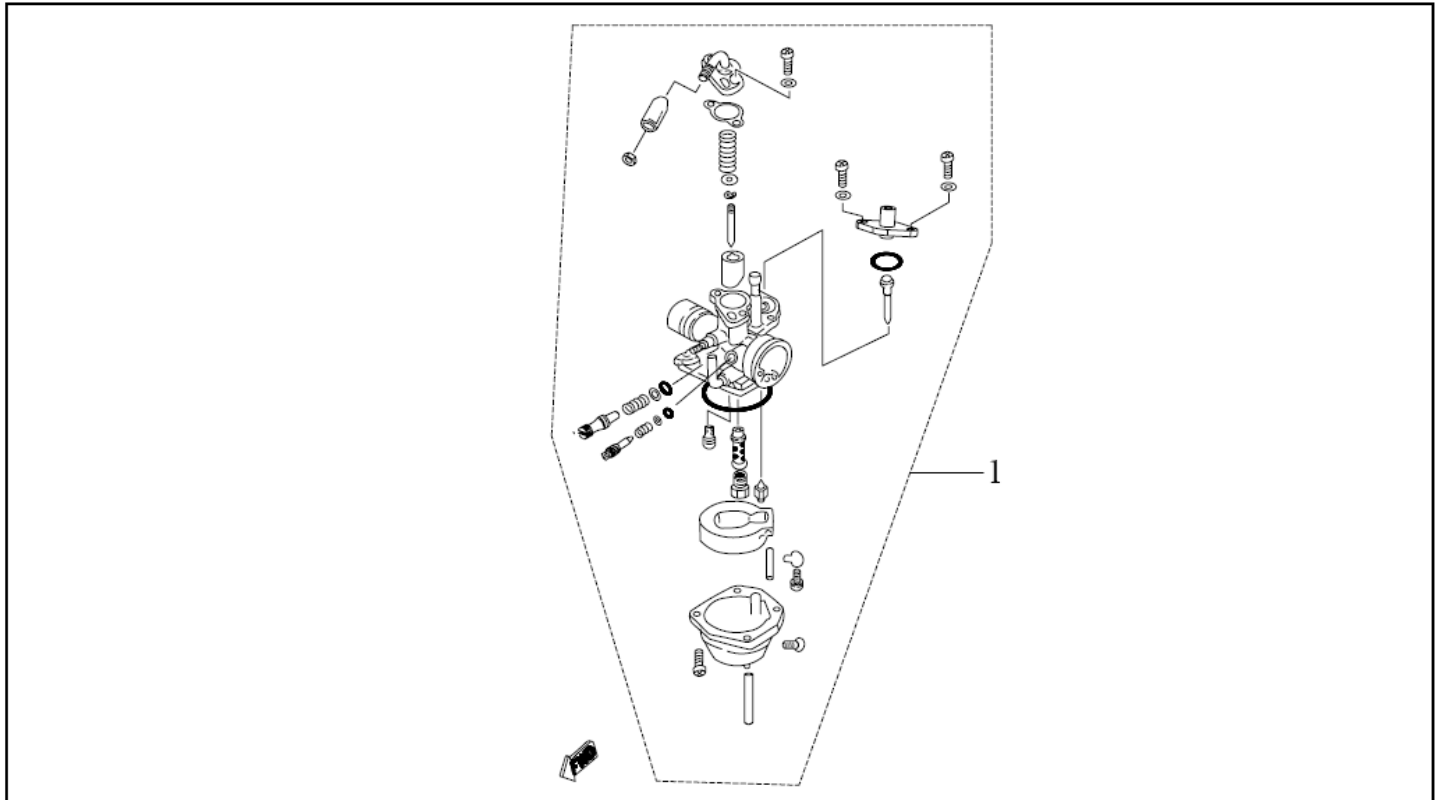
| Item | Part No.       | Part Name        | Spec.  | Q'ty |
|------|----------------|------------------|--------|------|
| 1    | 15100-A2C4-000 | Pump, Oil        |        | 1    |
| 2    | 93700-05016    | Bolt, Pan Head   | M5x16  | 2    |
| 3    | 96171-03118    | Pin              | 3x11.8 | 1    |
| 4    | 90600-S19      | Circlip          | S19    | 2    |
| 5    | 15110-A2C4-000 | Dear, Pump Drive |        | 1    |

E-5, Air Cleaner & Reed Valve



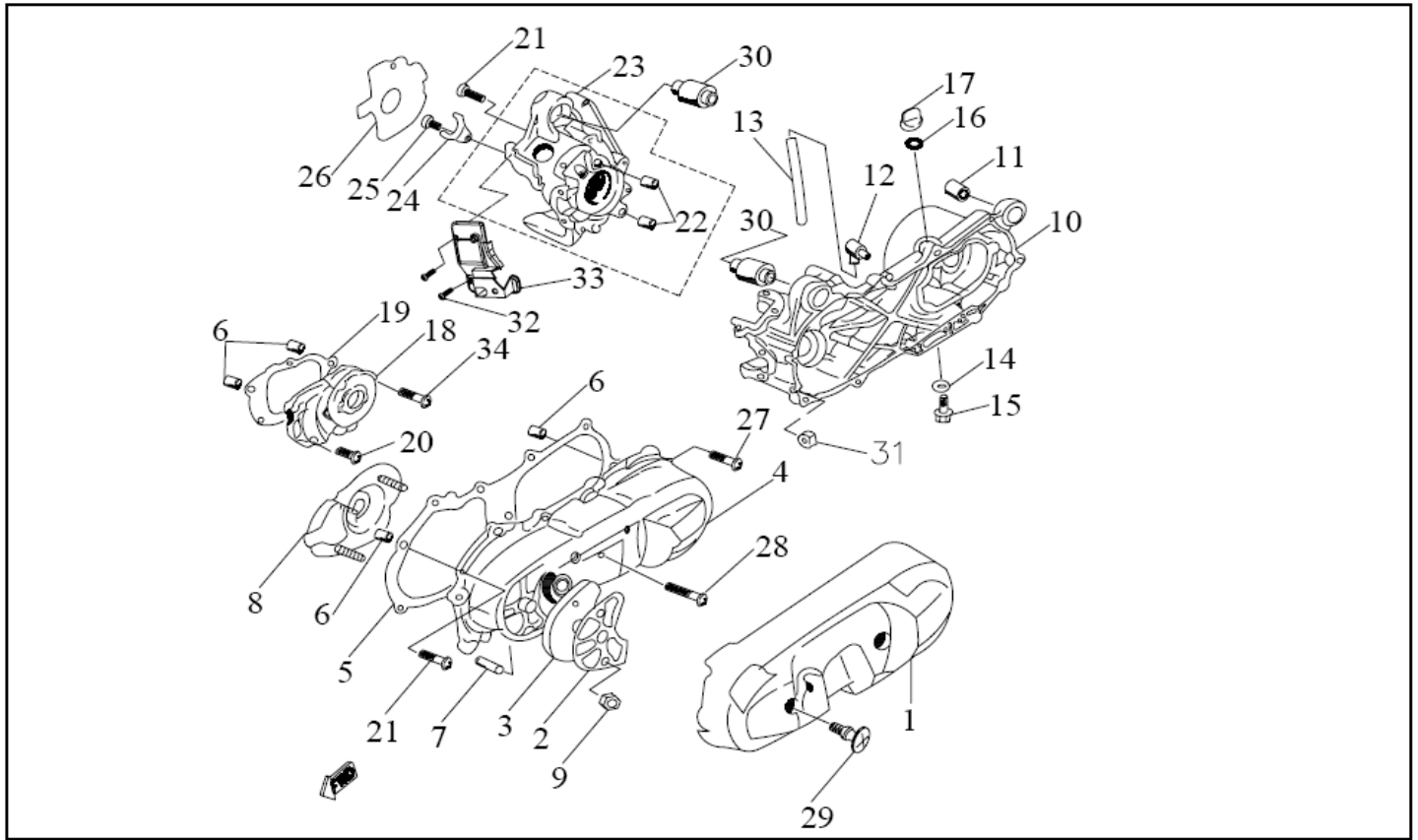
| Item | Part No.       | Part Name                   | Spec. | Q'ty |
|------|----------------|-----------------------------|-------|------|
| 1    | 17300-A2C4-000 | Air cleaner Ass'y           |       | 1    |
| 2    | 17310-A2C4-000 | Cap, Air Cleaner            |       | 1    |
| 3    | 17311-A2C4-000 | Seal                        |       | 1    |
| 4    | 17320-A2C4-000 | Filter Element, Air Cleaner |       | 1    |
| 5    | 17330-A2C4-000 | Case, Air Cleaner           |       | 1    |
| 6    | 17331-A2C4-000 | Duct                        |       | 1    |
| 7    | 17332-A2C4-000 | Joint, Air Cleaner          |       | 1    |
| 8    | 95500-05025    | Screw, Tapping              | 5x25  | 3    |
| 9    | 93710-06020    | Bolt, W/Washer              | M6x20 | 2    |
| 10   | 17333-A2C4-000 | Clip                        |       | 1    |
| 11   | 14710-A2C4-000 | Reed Valve Ass'y            |       | 1    |
| 12   | 14711-A2C4-000 | Gasket, Reed Valve          |       | 1    |
| 13   | 16422-A2C4-000 | Band, Intake Manifold       |       | 1    |
| 14   | 16410-A2C4-000 | Manifold, Intake            |       | 1    |
| 15   | 91000-06020    | Hex. Socket Bolt            | M6x20 | 4    |

E-6, Carburetor



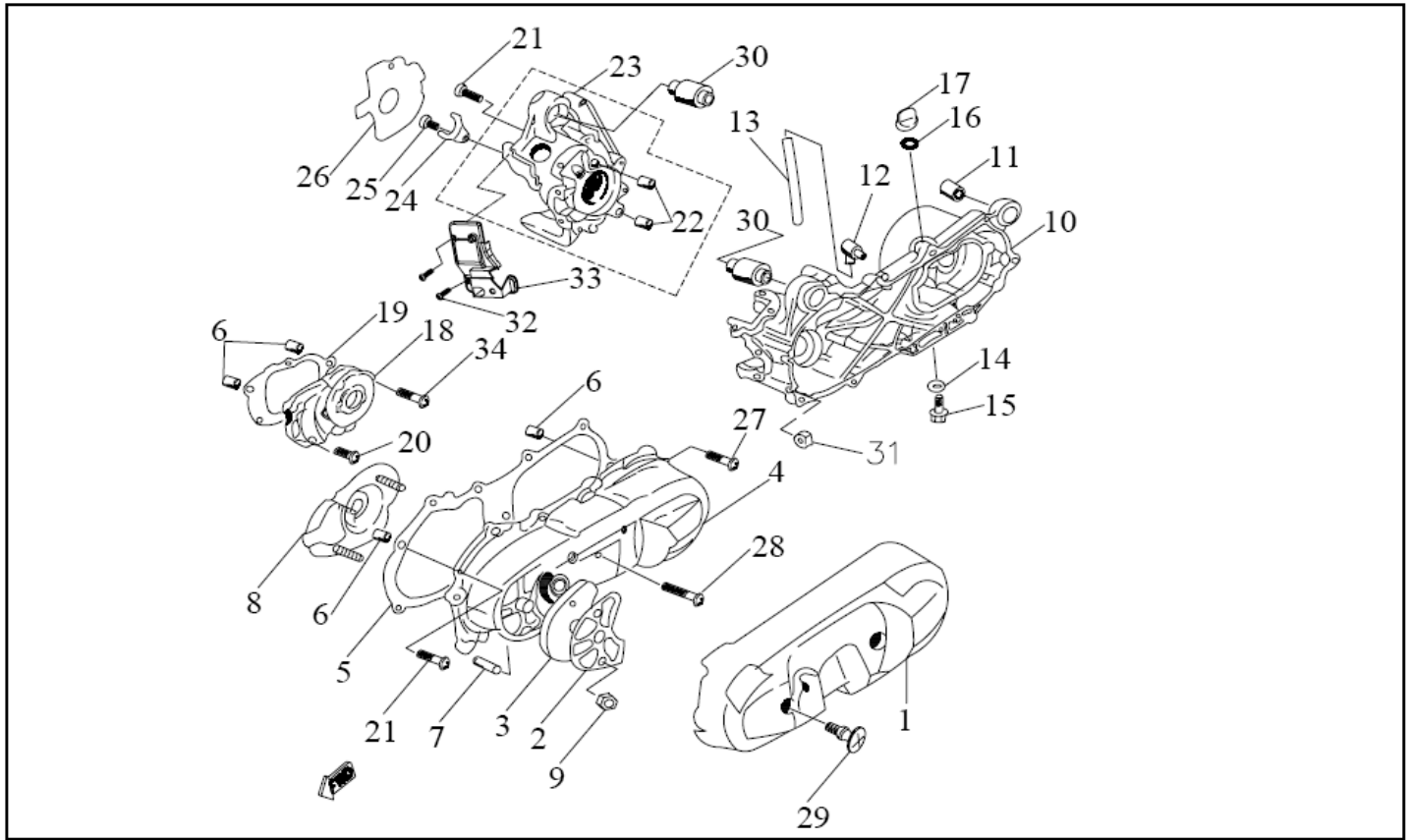
| Item | Part No.       | Part Name                       | Spec.                     | Q'ty |
|------|----------------|---------------------------------|---------------------------|------|
| 1    | 16100-A2C4-000 | Carburetor Ass'y (manual chock) | H68P (M.J.:90#/ P.J.:25#) | 1    |

E-7, Crankcase



| Item | Part No.       | Part Name                     | Spec.    | Q'ty |
|------|----------------|-------------------------------|----------|------|
| 1    | 11341-A2C4-000 | Protector, L. Crankcase Cover |          | 1    |
| 2    | 11342-A2C4-000 | Guide, Air Filter             |          | 1    |
| 3    | 11343-A2C4-00A | Filter Element, L. Crankcase  |          | 1    |
| 4    | 11340-A2C4-000 | Cover, L. Crankcase           |          | 1    |
| 5    | 11395-A2C4-000 | Gasket, L. Crankcase          |          | 1    |
| 6    | 90703-081014   | Pin, Dowel                    | 10x14    | 4    |
| 7    | 11344-A2C4-000 | Shaft                         | 8x31     | 1    |
| 8    | 11345-A2C4-000 | Fixed Plate, Filter Element   |          | 1    |
| 9    | 94000-06100    | Hex. Acorm Washer Face Nut    | M6xP1.0  | 3    |
| 10   | 11200-A2C4-002 | Crankcase, L.                 |          | 1    |
| 11   | 97350-082021   | Bush                          | 8x20x21  | 1    |
| 12   | 11210-A2C4-000 | Breather                      |          | 1    |
| 13   | 11211-A2C4-000 | Hose, Breather                | 5x100    | 1    |
| 14   | 90442-081515   | Washer, Copper                | 8x15x1.5 | 1    |
| 15   | 92100-08016    | Hex. Washer Face Bolt         | M8x16    | 1    |
| 16   | 91300-138024   | O-Ring                        | 13.8x2.4 | 1    |

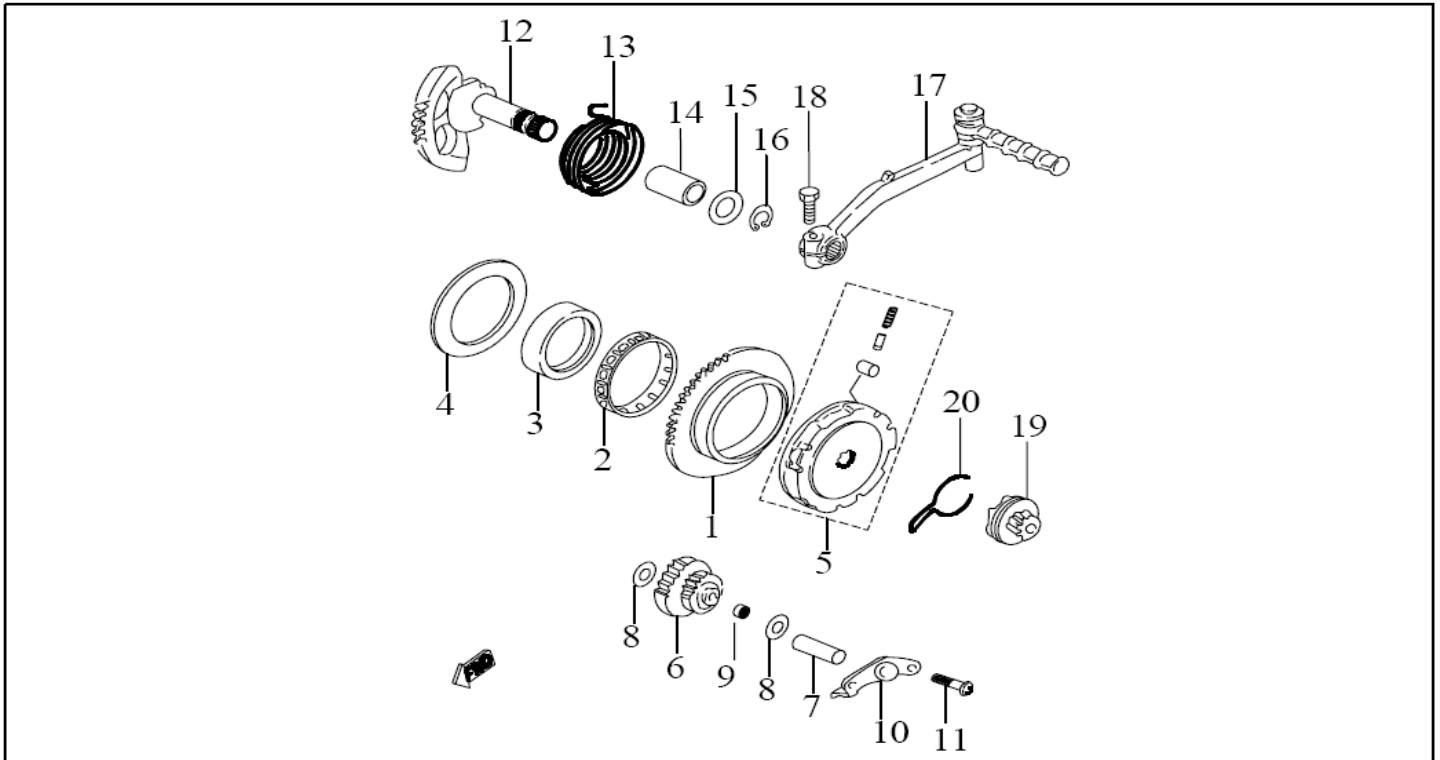
E-7, Crankcase



| Item | Part No.         | Part Name            | Spec.      | Q'ty |
|------|------------------|----------------------|------------|------|
| 17   | 11212-A2C4-000   | Plug, Oil            |            | 1    |
| 18   | 11400-A2C4-000   | Cover, Transmission  |            | 1    |
| 19   | 11410-A2C4-000   | Gasket, Transmission |            | 1    |
| 20   | 91000-06025-05BN | Hex,Socket Bolt      | M6x25(耐膠)  | 3    |
| 21   | 91000-06035      | Hex,Socket Bolt      | M6x35      | 8    |
| 22   | 90703-101216     | Pin, Dowel           | 12x16      | 2    |
| 23   | 11100-A2C4-002   | Crankcase, R.        |            | 1    |
| 24   | 11110-A2C4-000   | Holder               |            | 1    |
| 25   | 91000-06010      | Hex,Socket Bolt      | M6x10      | 1    |
| 26   | 31121-A2C4-000   | Gasket, A.C.G        |            | 1    |
| 27   | 91000-06025      | Hex,Socket Bolt      | M6x25      | 8    |
| 28   | 91000-06065      | Hex,Socket Bolt      | M6x65      | 1    |
| 29   | 11346-A2C4-000   | Bolt, Special        |            | 2    |
| 30   | 97350-123538     | Bush                 | 12x35x38   | 2    |
| 31   | 17110-A2C4-000   | Grommet              |            | 2    |
| 32   | 93700-05010      | Bolt, Pan Head       | M5*P1.0*10 | 2    |
| 33   | 17211-A2DL-000   | Cover, Dust-Proof    |            | 1    |
| 34   | 91000-06035-05BN | Hex,Socket Bolt      | M6x35(耐膠)  | 2    |

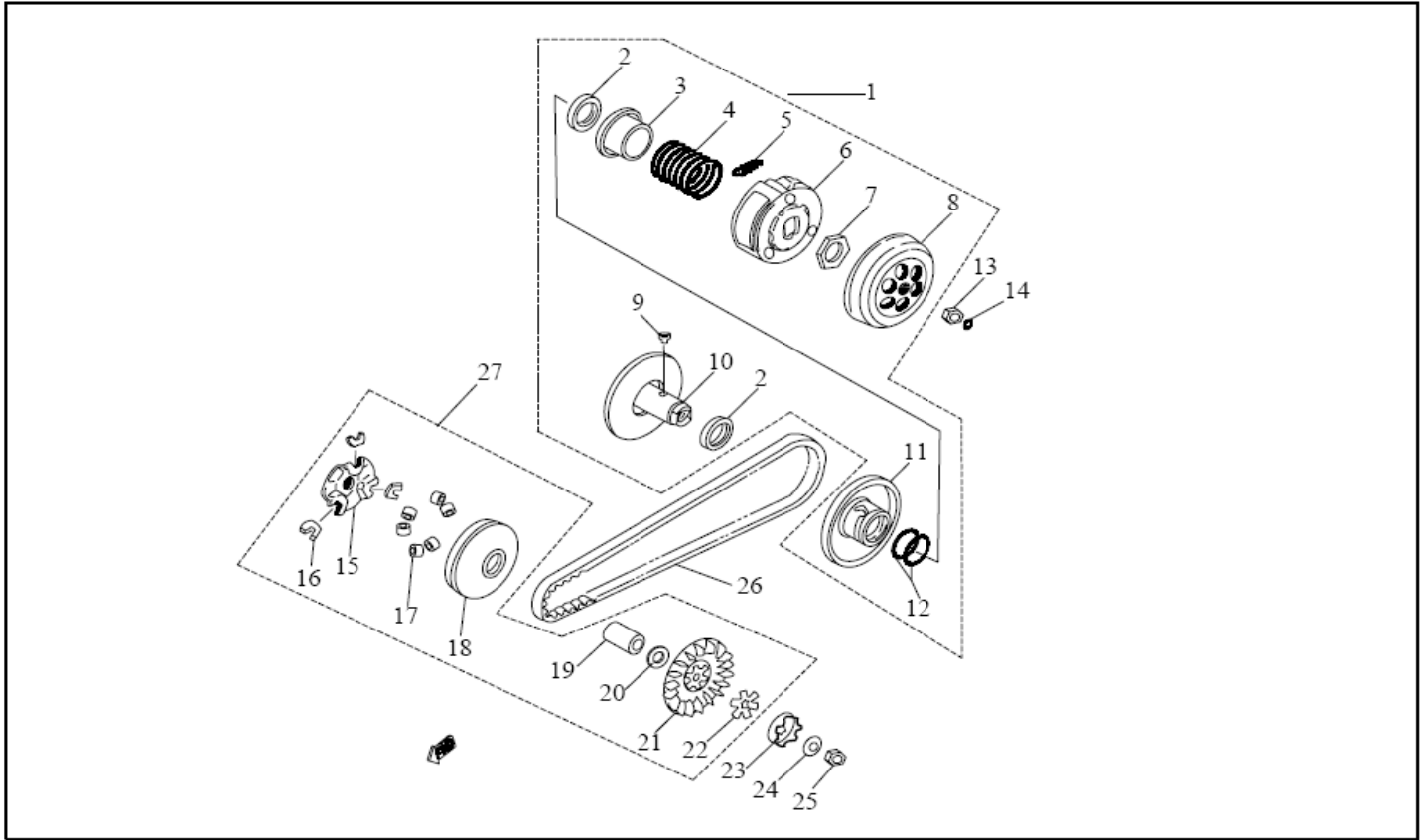


E-8, Starter



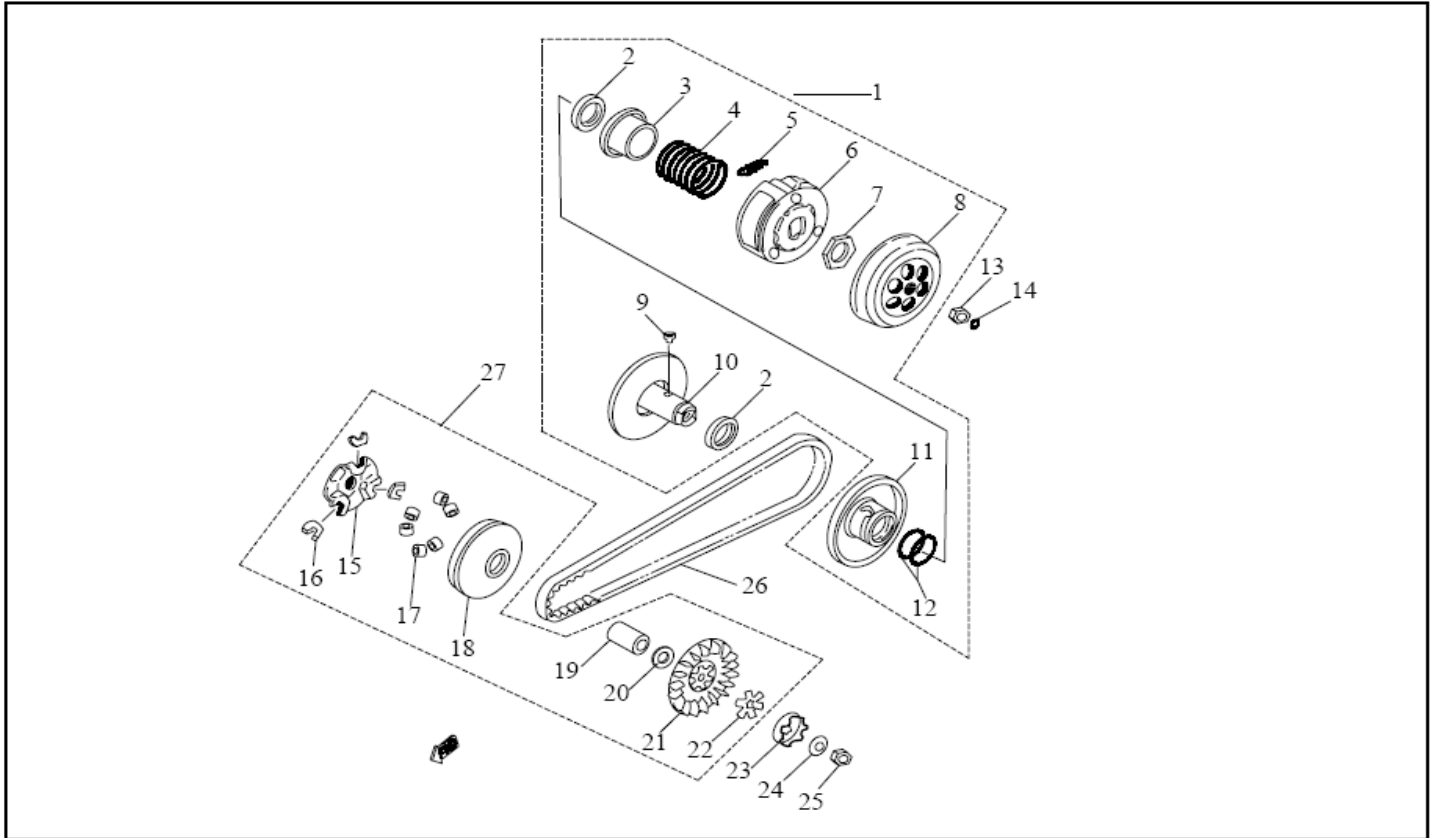
| Item | Part No.       | Part Name            | Spec.      | Q'ty |
|------|----------------|----------------------|------------|------|
| 1    | 22110-A2C4-0A0 | Wheel, Starter       | 68T        | 1    |
| 2    | 96140-555912   | Bearing, Needle      | 55×59×12.5 | 1    |
| 3    | 11213-A2C4-000 | Boss                 |            | 1    |
| 4    | 90426-557606   | Washer, Plate        | 55x76X0.5  | 1    |
| 5    | 22100-A2C4-000 | Starter Clutch Ass'y |            | 1    |
| 6    | 22120-A2C4-000 | Idle Gear Ass'y      | 20/47T     | 1    |
| 7    | 11344-A2C4-000 | Shaft, Idle Gear     | 8x31       | 1    |
| 8    | 90426-081620   | Washer, Plate        | 8.2x16x2   | 2    |
| 9    | 96180-081210   | Bearing, Needle      | HK8x12x10  | 1    |
| 10   | 22121-A2C4-000 | Plate, Idle Gear     |            | 1    |
| 11   | 91000-06010    | Hex,Socket Bolt      | M6x10      | 2    |
| 12   | 28211-A2C4-000 | Kick Shaft Ass'y     |            | 1    |
| 13   | 28261-A2C4-000 | Spring, Torsion      |            | 1    |
| 14   | 28251-A2C4-000 | Bush, Kick Shaft     | 15x20x30   | 1    |
| 15   | 90426-152810   | Washer, Plate        | 15.2x28x1  | 1    |
| 16   | 90600-STW15    | Circlip              | STW-15     | 1    |
| 17   | 28300-A2C4-00A | Kick Carnk Ass'y     |            | 1    |
| 18   | 92101-06022-0G | Hex. Bolt            | M6x25      | 1    |
| 19   | 28221-A2C4-000 | Kick Pinion Ass'y    |            | 1    |
| 20   | 28222-A2C4-000 | Clip, Kick Pinion    |            | 1    |

E-9, Clutch



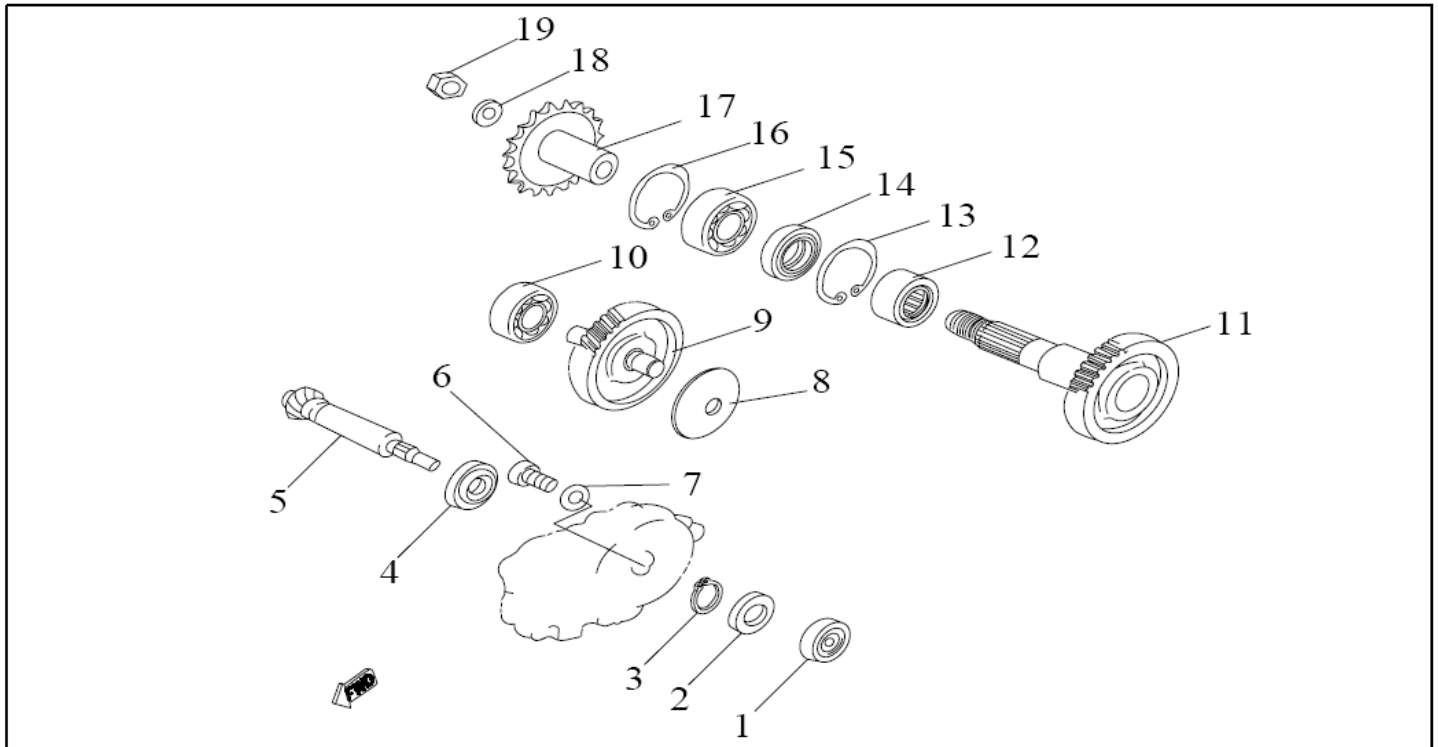
| Item | Part No.       | Part Name                   | Spec.       | Q'ty |
|------|----------------|-----------------------------|-------------|------|
| 1    | 22300-A2C4-000 | Secondary Sheave Ass'y      |             | 1    |
| 2    | 91200-33394    | Seal, Oil                   |             | 2    |
| 3    | 22311-A2C4-000 | Seat, Secondary Spring      |             | 1    |
| 4    | 22312-A2C4-001 | Spring, Compression         | f4x96       | 1    |
| 5    | 22331-A2C4-000 | Spring, Clutch Weight       | f1.8x7coils | 3    |
| 6    | 22330-A2C4-000 | Carrier Ass'y, Clutch       | f112        | 1    |
| 7    | 22332-A2C4-000 | Nut, Clutch                 |             | 1    |
| 8    | 22340-A2C4-000 | House, Clutch               |             | 1    |
| 9    | 22313-A2C4-000 | Bearing, Ball               |             | 2    |
| 10   | 22310-A2C4-000 | Fix Sheave Comp., Secondary |             | 1    |
| 11   | 22320-A2C4-000 | Sliding Sheave, Secondary   |             | 1    |
| 12   | 91300-360020   | Oil-Ring                    |             | 2    |
| 13   | 22341-10100    | Hex. Acorn Nut              | M10xP1.0    | 1    |
| 14   | 91300-125030   | O-Ring                      | 6.45x3.1    | 1    |
| 15   | 22411-A2C4-000 | Plate, Cam                  |             | 1    |
| 16   | 22412-A2C4-000 | Slider, Cam Plate           |             | 3    |
| 17   | 22413-A2C4-000 | Weight                      | 8.0g        | 6    |
| 18   | 22410-A2C4-000 | Sliding Sheave, Primary     |             | 1    |

E-9, Clutch



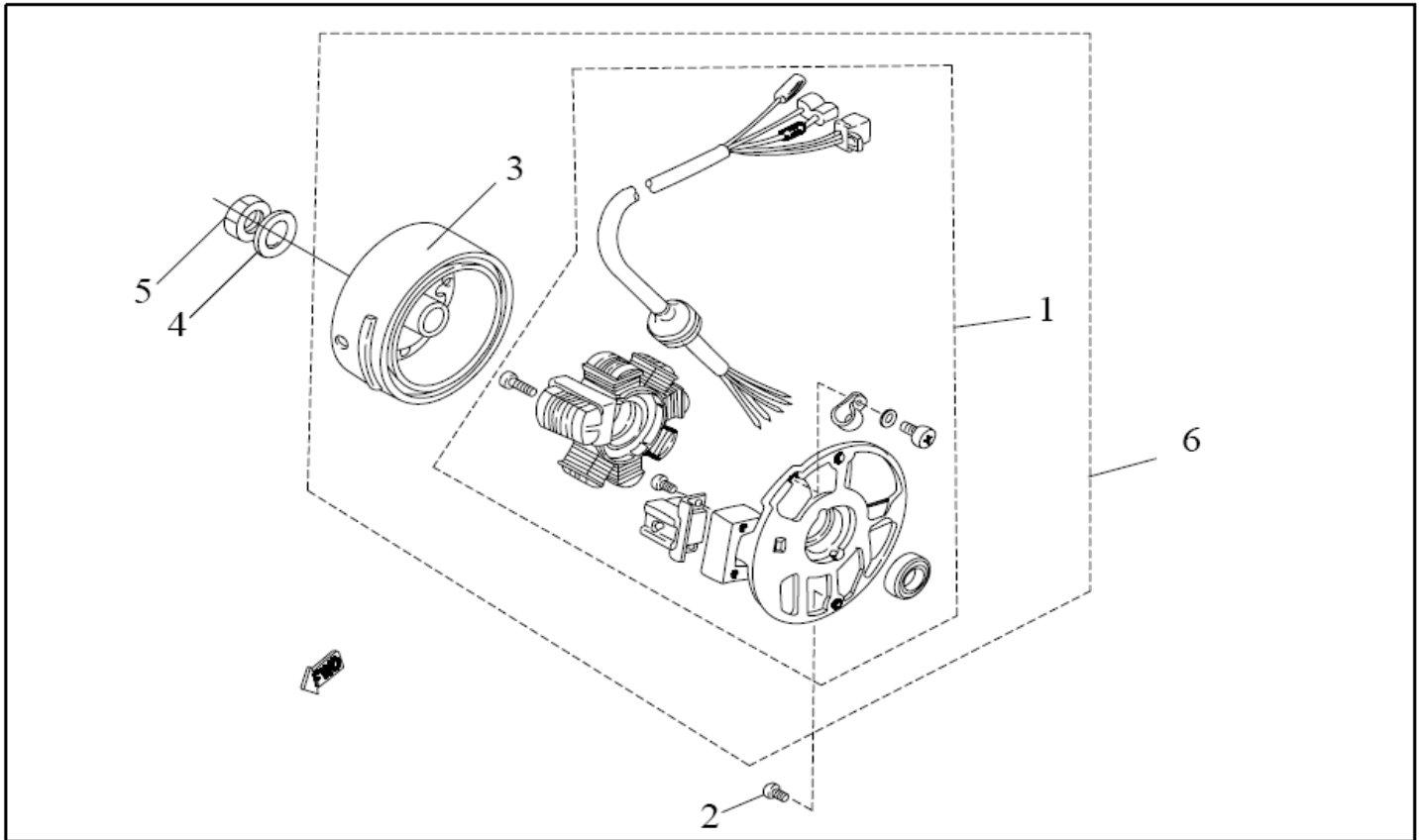
| Item | Part No.       | Part Name                   | Spec.       | Q'ty |
|------|----------------|-----------------------------|-------------|------|
| 19   | 22414-A2C4-000 | Collar                      | 16x21x37.5  | 1    |
| 20   | 22415-A2DL-000 | Sliding Sheave Washer, Clam | 16x21x1     | 1    |
| 21   | 22420-A2C4-000 | Fixed Sheave, Primary       |             | 1    |
| 22   | 22421-A2C4-000 | Washer, Clam                |             | 1    |
| 23   | 22422-A2C4-000 | Clutch, Oneway              |             | 1    |
| 24   | 94111-102426   | Washer, Conical Spring      | 10.5x24x2.6 | 1    |
| 25   | 94100-10125    | Hex. Acorn Nut              | M10xP1.25   | 1    |
| 26   | 22500-A2C4-000 | Belt, Drive                 | 780x16.5x30 | 1    |
| 27   | 22400-A2C4-000 | Sliding Sheave, Ass'y       | 8.0g        | 1    |

E-10, Transmission



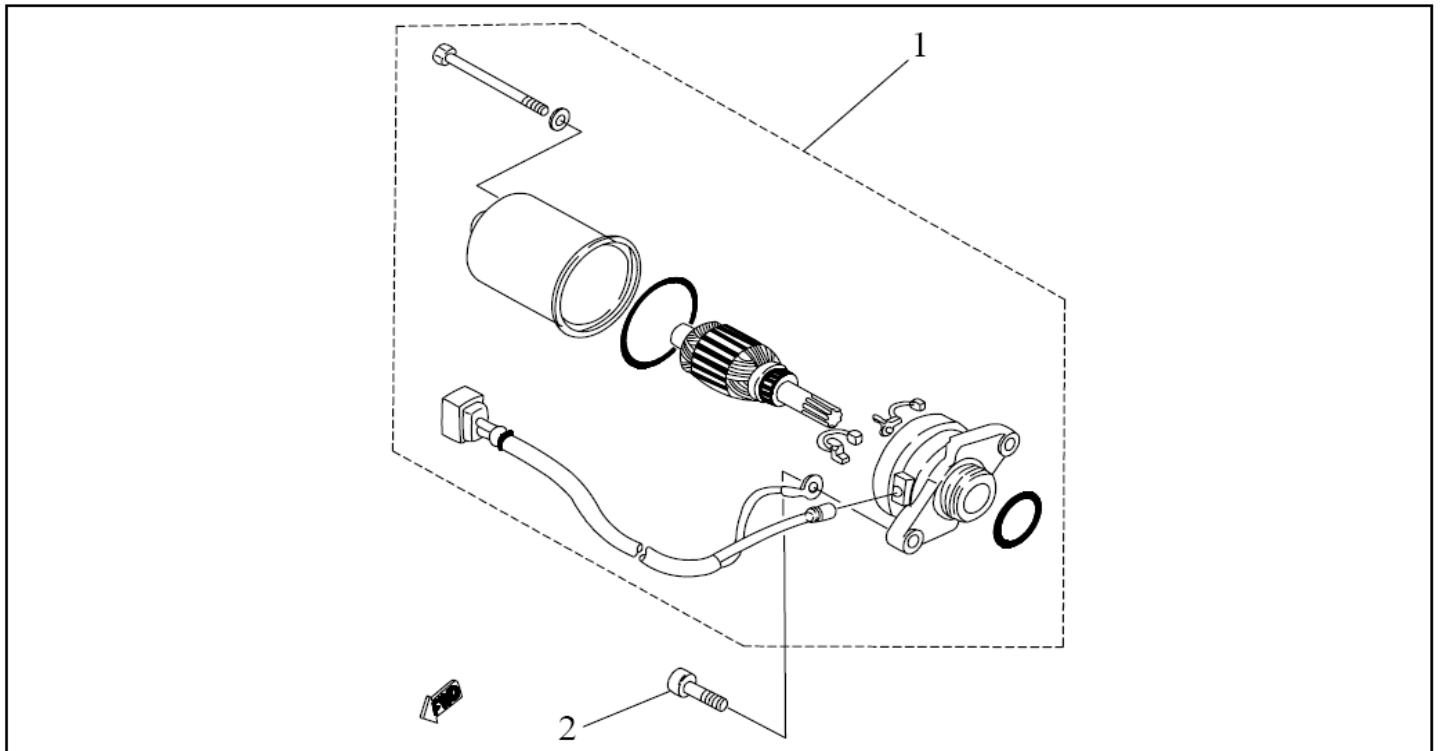
| Item | Part No.       | Part Name              | Spec.       | Q'ty |
|------|----------------|------------------------|-------------|------|
| 1    | 96210-638RD    | Bearing, Ball          | 638RD       | 1    |
| 2    | 91200-172855   | Seal, Oil              | 17x28x5.5   | 1    |
| 3    | 90500-S17      | Circlip                | S-17        | 1    |
| 4    | 96210-6003     | Bearing, Ball          | 6003        | 1    |
| 5    | 23610-A2C4-0A0 | Drive Gear, Primary    | 15T         | 1    |
| 6    | 91000-06010    | Hex,Socket Bolt        | M6x10       | 1    |
| 7    | 90426-061912   | Washer, Plate          | 6.5x19x1.2  | 1    |
| 8    | 94111-126005   | Washer, Conical Spring | 12.3x60x0.5 | 1    |
| 9    | 23620-A2C4-0A0 | Main Axle Comp.        | 11/47T      | 1    |
| 10   | 96210-6201     | Bearing, Ball          | 6201        | 1    |
| 11   | 23630-A2C4-0A0 | Gear, Driven           | 31T         | 1    |
| 12   | 96160-HMK2515  | Bearing, Needle        | HMK2515     | 1    |
| 13   | 90500-IRTW32   | Circlip                | IRTW-32     | 1    |
| 14   | 91200-253560   | Seal, Oil              | 25x35x6     | 1    |
| 15   | 96210-6004LU   | Bearing, Ball          | 6004LU      | 1    |
| 16   | 90500-RTW42    | Circlip                | RTW-42      | 1    |
| 17   | 23801-A2B-000  | Sprocket, Drive        | 428x19T     | 1    |
| 18   | 90426-152920   | Washer, Plate          | 14.5x26x2.0 | 1    |
| 19   | 94200-14150    | Nut, U Locked          | M14xP1.5    | 1    |

E-11, Generator



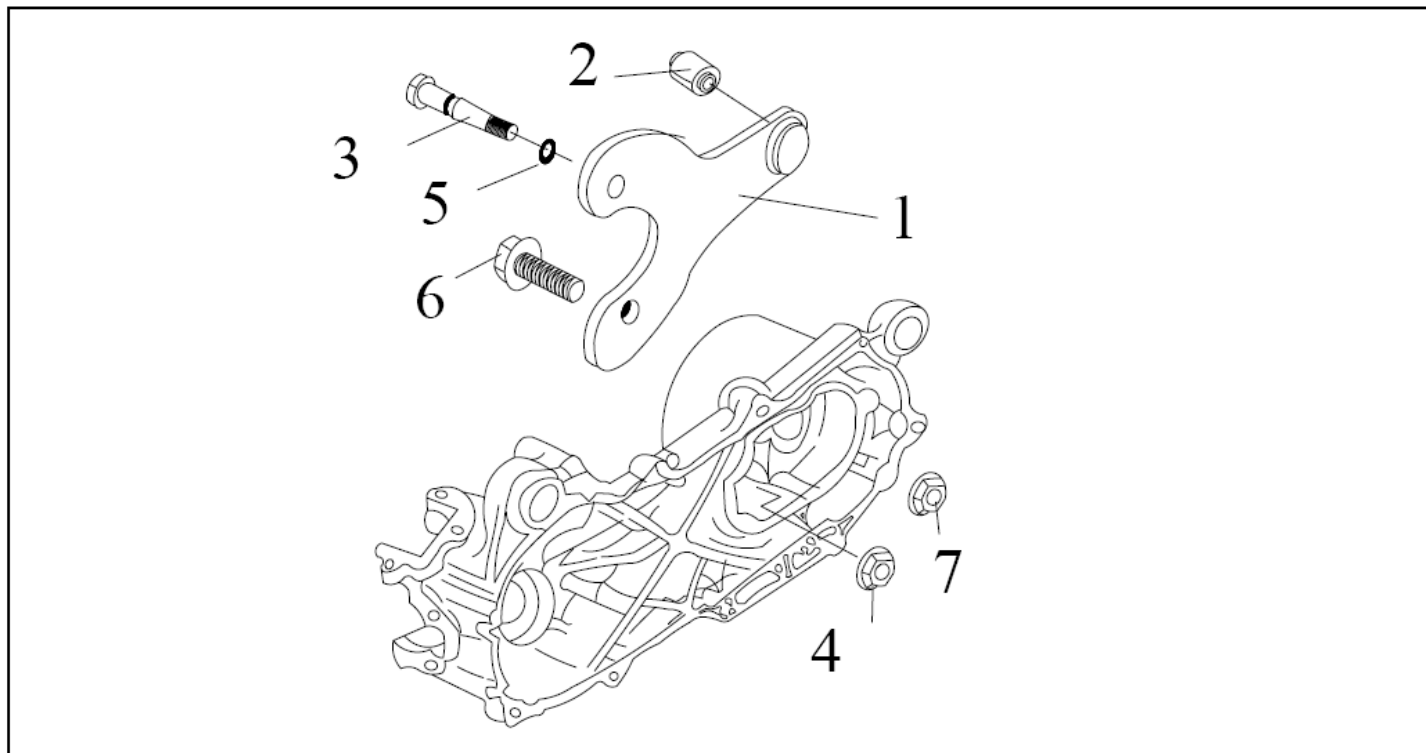
| Item | Part No.      | Part Name             | Spec.     | Q'ty |
|------|---------------|-----------------------|-----------|------|
| 1    | 31120-A2B-000 | Base Ass'y, Generator |           | 1    |
| 2    | 91000-06016   | Hex,Socket Bolt       | M6x16     | 2    |
| 3    | 31100-A2B-000 | Wheel, Fly            |           | 1    |
| 4    | 90426-102216  | Washer, Plate         | 10x22x1.6 | 1    |
| 5    | 94100-10125   | Hex. Acorm Nut        | M10xP1.25 | 1    |
| 6    | 31000-A2B-000 | Generator Ass'y       |           | 1    |

E-12, Starting Motor



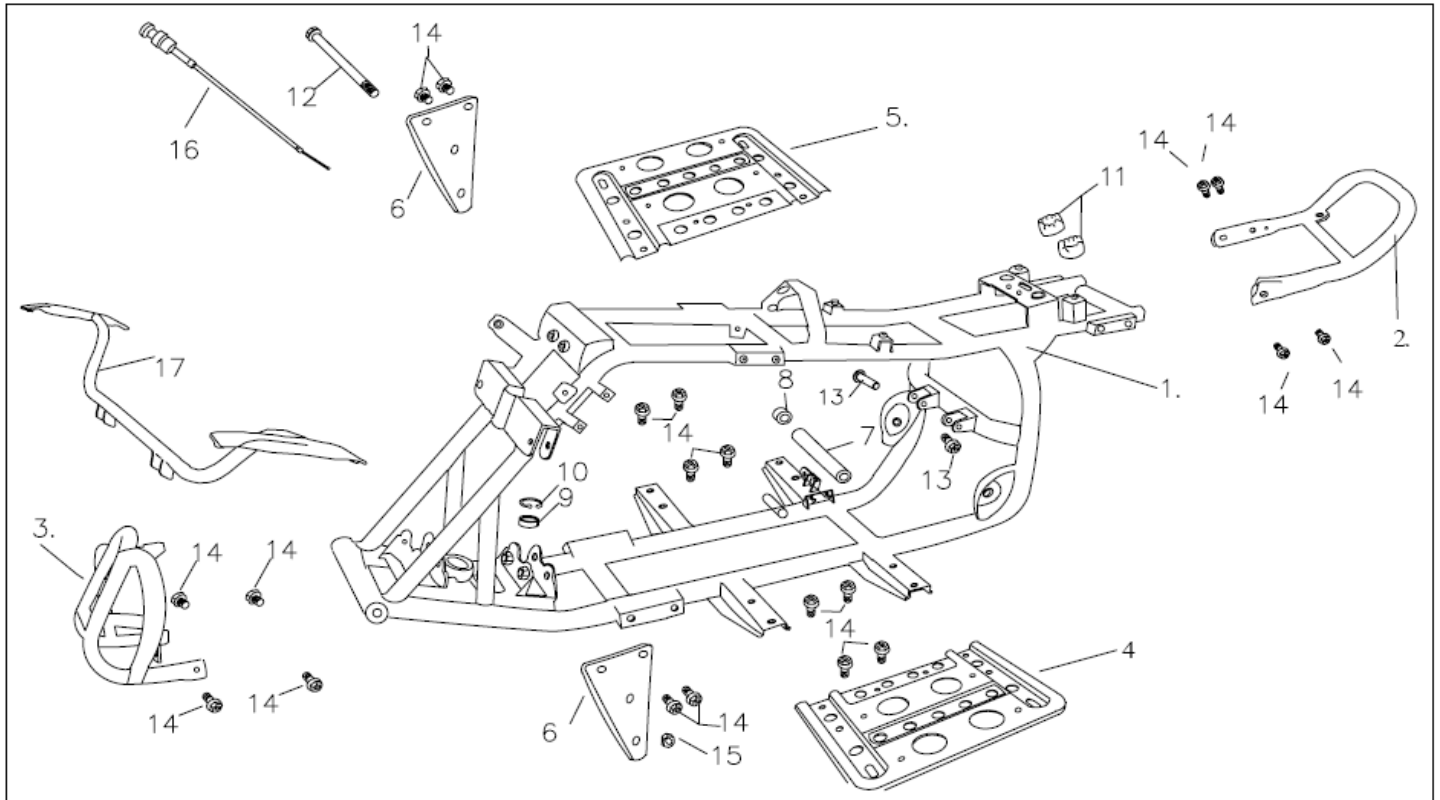
| Item | Part No.       | Part Name            | Spec. | Q'ty |
|------|----------------|----------------------|-------|------|
| 1    | 31200-A2C4-000 | Starting Motor Ass'y |       | 1    |
| 2    | 91000-06020    | Hex. Socket Bolt     | M6x20 | 2    |

**E-13, Crankcase Bracket**



| Item | Part No.       | Part Name                  | Spec.     | Q'ty |
|------|----------------|----------------------------|-----------|------|
| 1    | 11347-A2C4-000 | Bracket, Crankcase         |           | 1    |
| 2    | 97350-082021   | Bush                       | 8x20x21   | 1    |
| 3    | 11348-A2C4-000 | Shaft, Fix                 |           | 1    |
| 4    | 94200-08125    | Hex. Acorm Washer Face Nut | M8xP1.25  | 1    |
| 5    | 91300-075015   | O-Ring                     | 7.5x1.5   | 1    |
| 6    | 92100-12040    | Hex. Washer Face Bolt      | M12x40    | 1    |
| 7    | 94200-12125    | Hex. Acorm Washer Face Nut | M12xP1.25 | 1    |

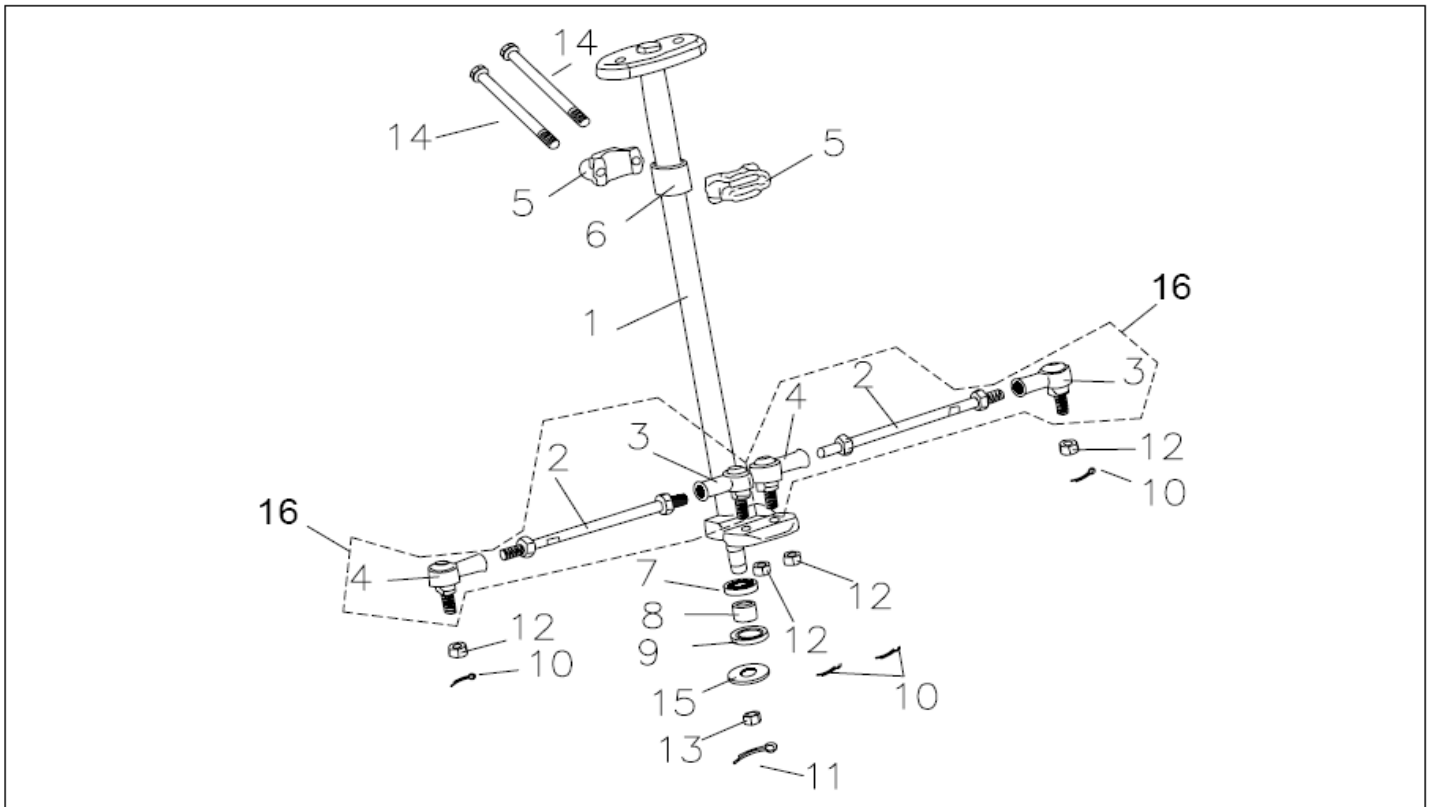
F1, Frame Body



| Item | Part No.       | Part Name                      | Spec.       | Q'ty |
|------|----------------|--------------------------------|-------------|------|
| 1    | 50100-3AR-001  | Frame Body (Enclosed Footwall) |             | 1    |
| 2    | 50400-10A-BK0  | Rear Carrier                   | SA          | 1    |
| 3    | 50200-3AR-BK0  | Bumper                         |             | 1    |
| 4    | 50600-3AR-BK0  | Enclosed Footwall              |             | 1    |
| 5    | 50630-3AR-BK0  | Enclosed Footwall(Foot Brake)  |             | 1    |
| 6    | 50110-3AR-000  | Mounting Plate, Engine         |             | 2    |
| 7    | 50150-1317103  | Spacer, Crankcase              | 12.5×17×103 | 1    |
| 8    | 50150-1322020  | Spacer                         | 12.5×22×20  | 1    |
| 9    | 96140-6002ZZ   | Bearing, Ball                  | 6002ZZ      | 1    |
| 10   | 94520-32000    | Clip, Cir.                     | RTW-32      | 1    |
| 11   | 50524-3AR-000  | Rubber Absorber, Seat          | 13×37×23    | 2    |
| 12   | 95701-12222    | Bolt ,Hex. Flange              | M12×222     | 1    |
| 13   | 95801-08038-07 | Bolt ,Hex. Flange              | M8×38       | 2    |
| 14   | 95701-08012-07 | Bolt ,Hex. Flange              | M8×12       | 20   |
| 15   | 90350U-12017   | Nut, Flange Insert Lock        | M12×P1.25   | 1    |
| 16   | 17950-3AR-000  | Chock Ass'y, Manual            |             | 1    |
| 17   | 50710-3AR-BK0  | Bracket, Fender                |             | 1    |

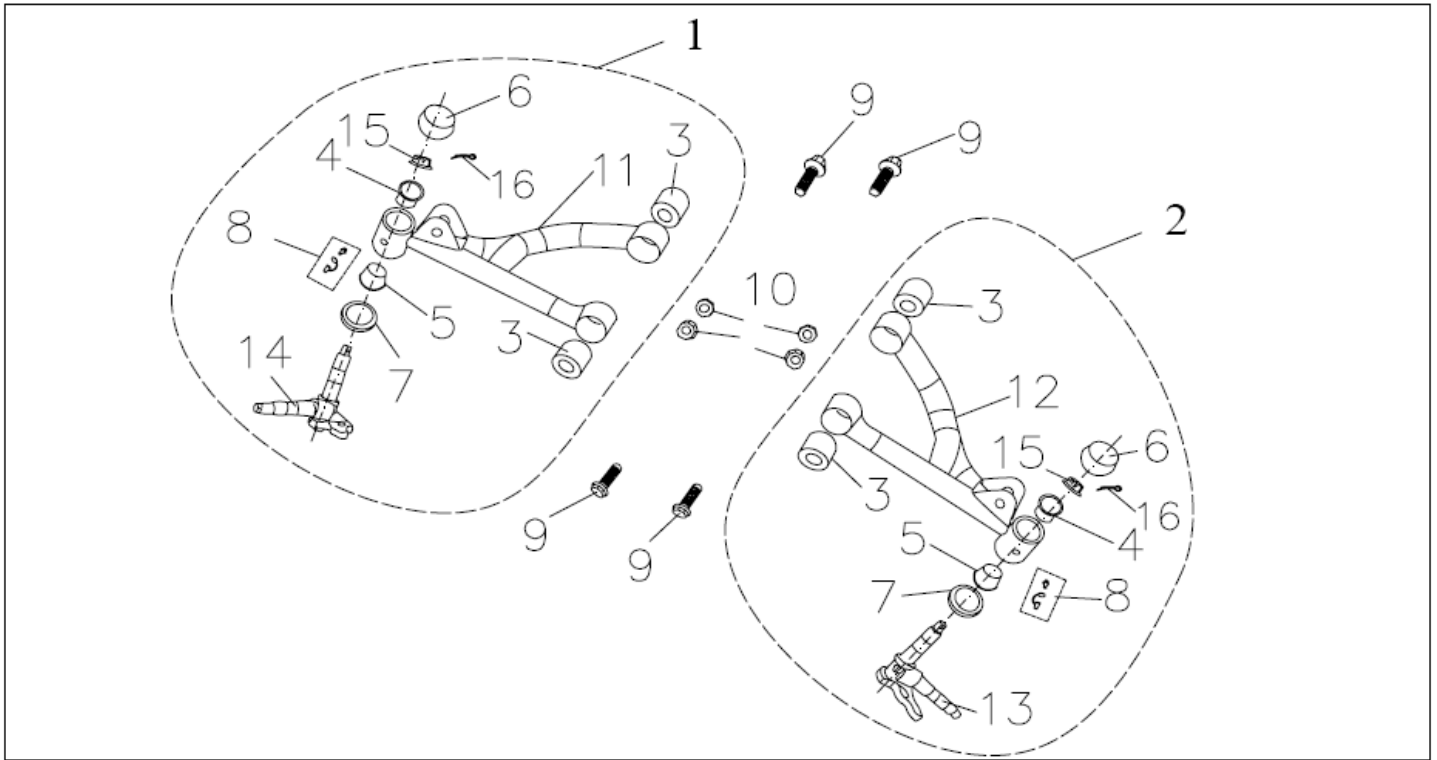


F2, Steering



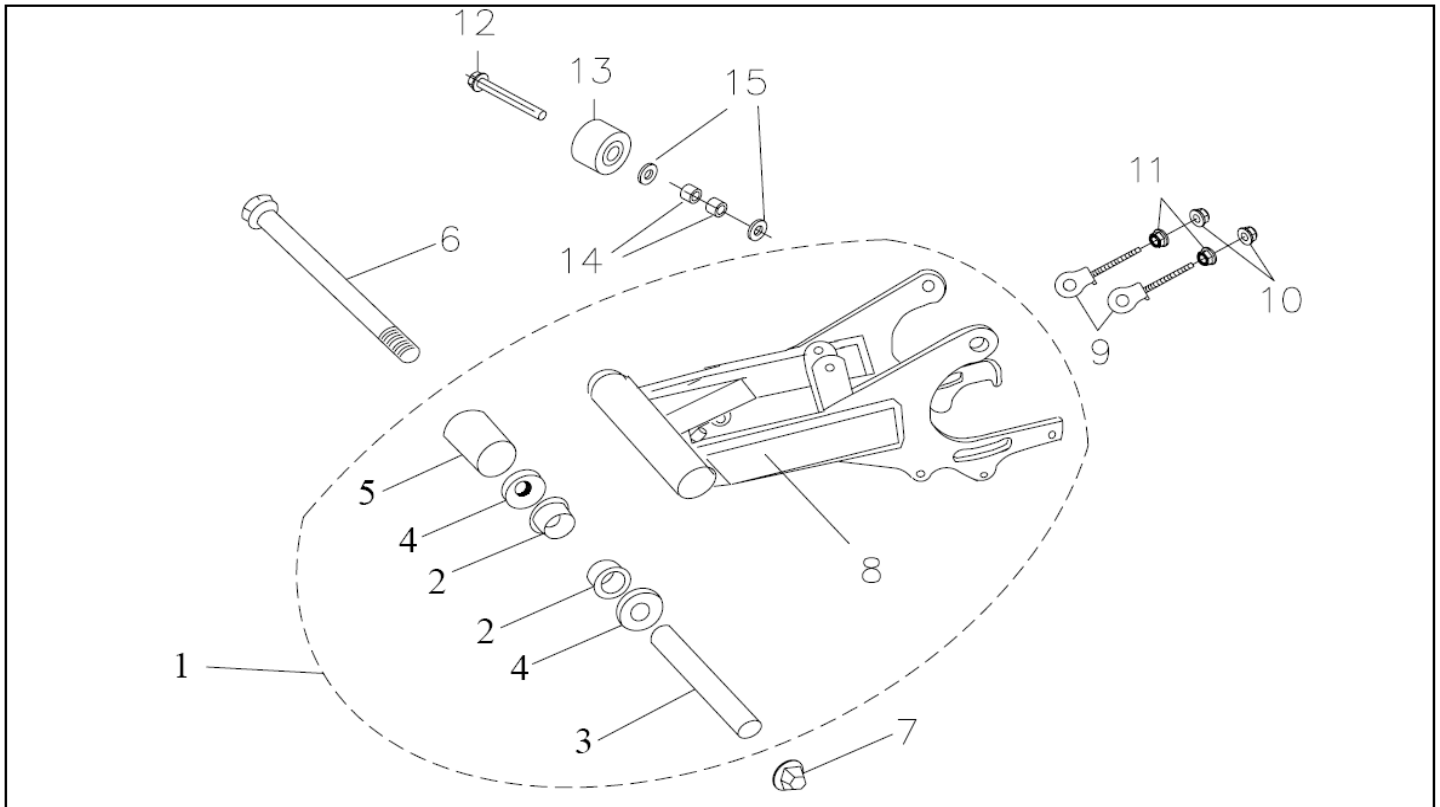
|    |                |  |                         |           |   |
|----|----------------|--|-------------------------|-----------|---|
| 1  | 53200-3AR-BK1  |  | Steering Shaft          |           | 1 |
| 2  | 54120-3AR-0A0  |  | Tie Rod                 |           | 2 |
| 3  | 54121-3AR-0A0  |  | R.H. Joint, Universal   |           | 2 |
| 4  | 54122-3AR-0A0  |  | L.H. Joint, Universal   |           | 2 |
| 5  | 53330-3AR-000  |  | Holder, Steering Shaft  |           | 2 |
| 6  | 53210-3AR-000  |  | PU Seal, Steering       |           | 1 |
| 7  | 91258-183207   |  | Seal, Oil               | 18×32×7   | 1 |
| 8  | 50150-1522015  |  | Spacer, Inner           | 15×22×15  | 1 |
| 9  | 91258-223507   |  | Seal, Oil               | 22×35×7   | 1 |
| 10 | 94201-16190    |  | Cotter Pin              | 1.6×19    | 4 |
| 11 | 94201-32425    |  | Cotter Pin              | 3.2×42.5  | 1 |
| 12 | 90350U-10014   |  | Nut, Flange Insert Lock | M10×P1.25 | 4 |
| 13 | 90350U-14000   |  | Nut, Flange Insert Lock | M14×P1.5  | 1 |
| 14 | 95801-08066-97 |  | Bolt ,Hex. Flange       | M8×66     | 2 |
| 15 | 94101-1440020K |  | Washer, Plate           | 14×40×2.0 | 1 |
| 16 | 54110-3AR-0A0  |  | Tie Rod Ass'y           |           | 2 |

F3, Suspension Arm



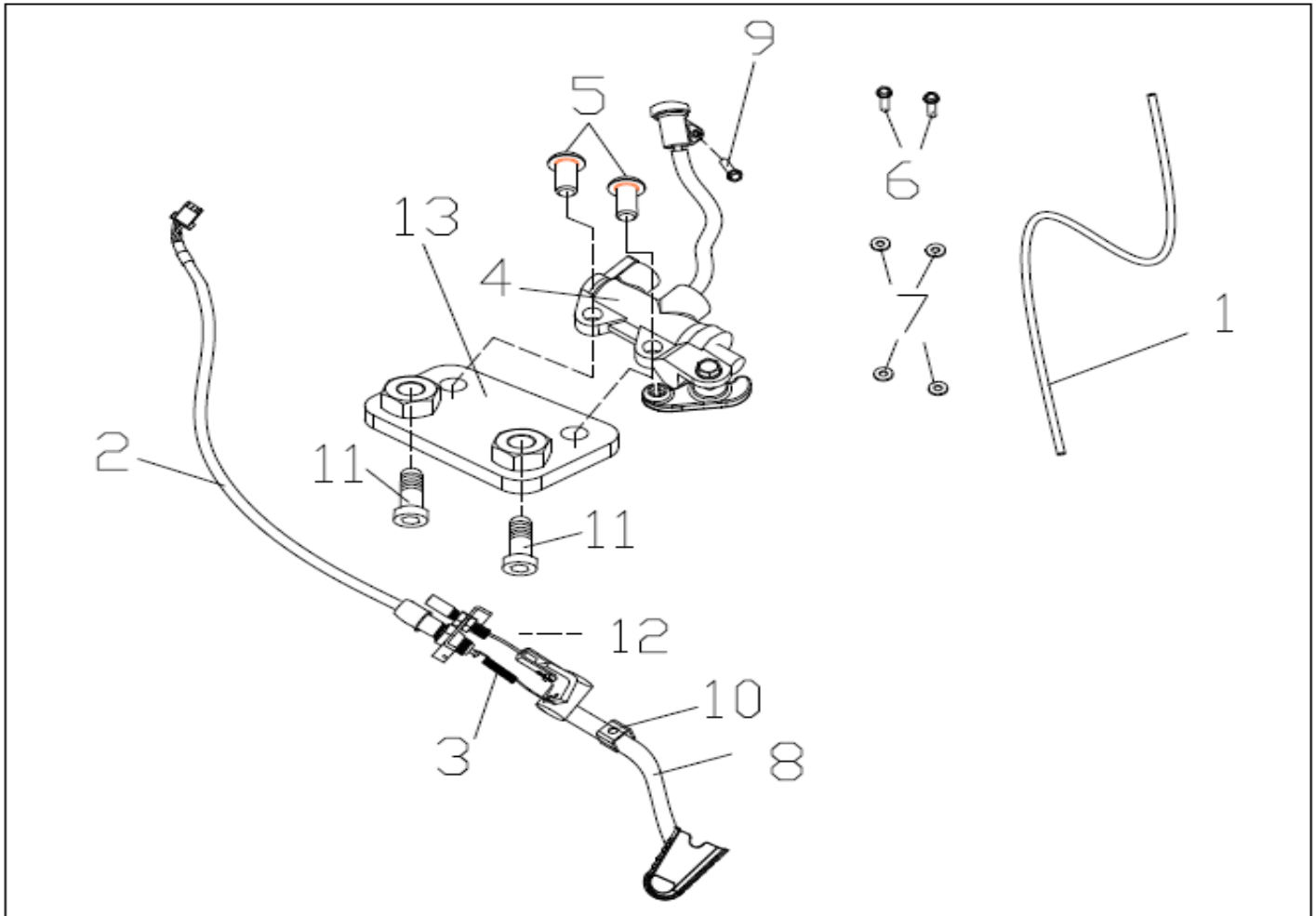
| Item | Part No.      | Part Name                   | Spec.         | Q'ty |
|------|---------------|-----------------------------|---------------|------|
| 1    | 54160-3AR-BKA | R. Arm Ass'y, Suspension    |               | 1    |
| 2    | 54260-3AR-BKA | L. Arm Ass'y, Suspension    |               | 1    |
| 3    | 97350-102829  | Rubber Bush, Suspension Arm | 10×28.1×27/29 | 4    |
| 4    | 54221-3AR-000 | Up Bush, Suspension Arm     | 15.5×21.1×20  | 2    |
| 5    | 54220-3AR-000 | Bottom Bush, Suspension Arm | 17×21.1×20    | 2    |
| 6    | 54310-PK-6143 | Seal, Waterproof            | 26×35.8×18.3  | 2    |
| 7    | 54320-PK-6148 | Seal, Dustproof             | 26.6×36.4×9.5 | 2    |
| 8    | 96201-10000   | Valve, Grease               | M6            | 2    |
| 9    | 96000-10048   | Bolt, Flange                | M10×48        | 4    |
| 10   | 90350U-10014  | Nut, Flange Insert Lock     | M10×P1.25     | 4    |
| 11   | 54161-3AR-BKA | R. Arm, Suspension          |               | 1    |
| 12   | 54261-3AR-BKA | L. Arm, Suspension          |               | 1    |
| 13   | 54250-3AR-000 | L. Knuckle                  |               | 1    |
| 14   | 54150-3AR-000 | R. Knuckle                  |               | 1    |
| 15   | 90352-10080   | Nut, Castle                 | M10×P1.25     | 2    |
| 16   | 94201-16190   | Cotter Pin                  | 1.6×19        | 2    |

F4, Swing Arm



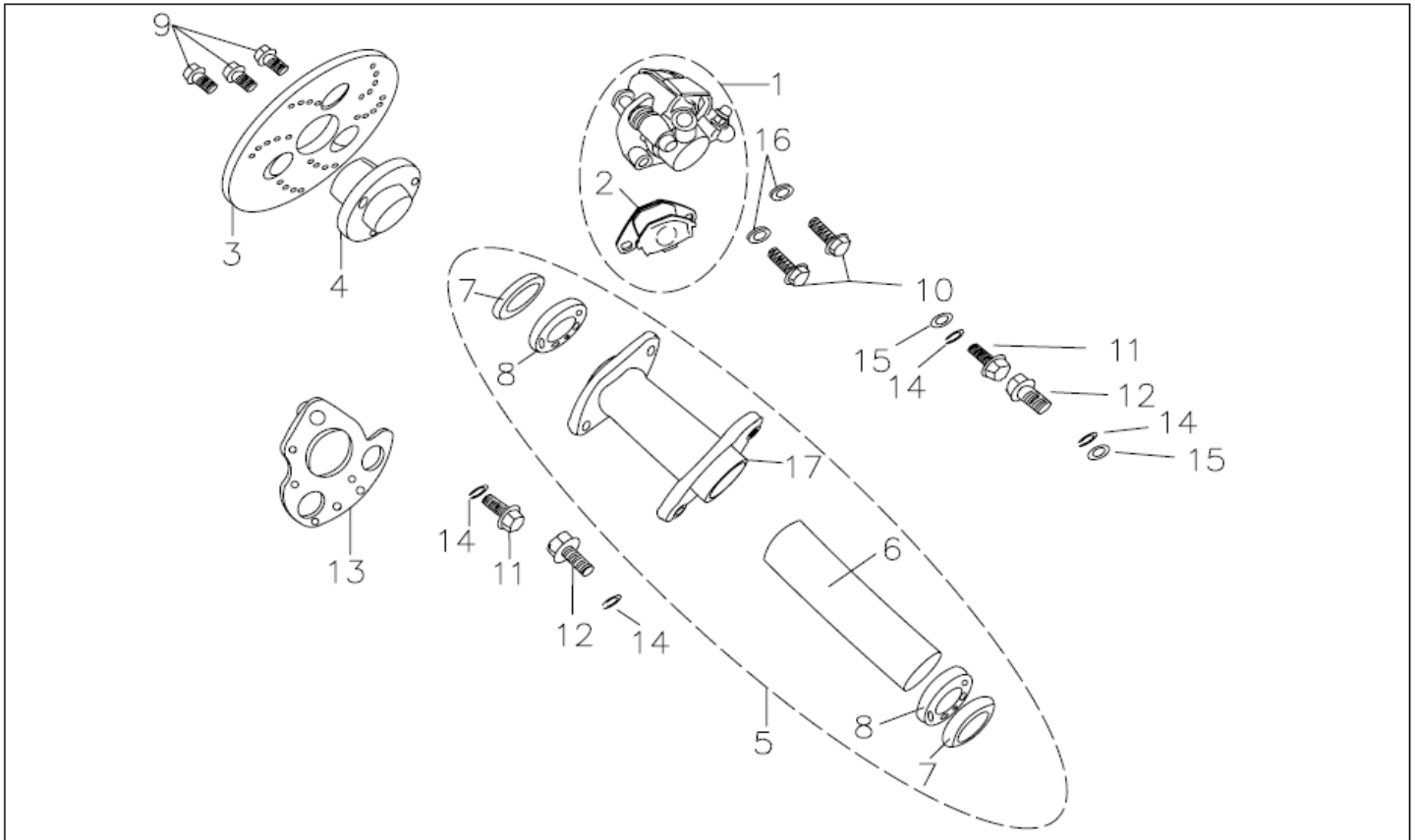
| Item | Part No.         | Part Name               | Spec.          | Q'ty |
|------|------------------|-------------------------|----------------|------|
| 1    | 52200-10A-BKA    | Arm Ass'y, Swing        |                | 1    |
| 2    | 52220-3AR-000    | Bush, Swing Arm         | 20.1×27.6×20   | 2    |
| 3    | 52210-3AR-000    | Spacer, Swing Arm       | 14.1×20×253    | 1    |
| 4    | 52310-OS-8234    | Seal, Dustproof         | 30.8×38.5×7×14 | 2    |
| 5    | 52320-PK-6152    | Rubber Sleeve           | 31.7×38×65     | 1    |
| 6    | 95802-14280      | Bolt ,Hex. Flange       | M14×280        | 1    |
| 7    | 90350U-14000     | Nut, Flange Insert Lock | M14*P1.5       | 1    |
| 8    | 52221-10A-BKA    | Arm, Swing              |                | 1    |
| 9    | 40543-3AR-000    | Adjuster, Chain         | 6mm            | 2    |
| 10   | 94050-06000      | Nut, Hex Flange         | M6×P1.0        | 2    |
| 11   | 90350U-06000-K   | Nut, Flange Insert Lock | M6*1.0         | 2    |
| 12   | 95801-08066-12BN | Nut, Hex Flange         | M8×66          | 1    |
| 13   | 40531-4129-08    | Roller, Chain           | Ø38xL25xØ8     | 1    |
| 14   | 50150-081310     | Spacer, 1               | 8x12.5x10      | 2    |
| 15   | 94101-08518-23B  | Washer, Plate           | 8.5x18x2.3     | 2    |

F5, Pedal, Rear Disc Brake



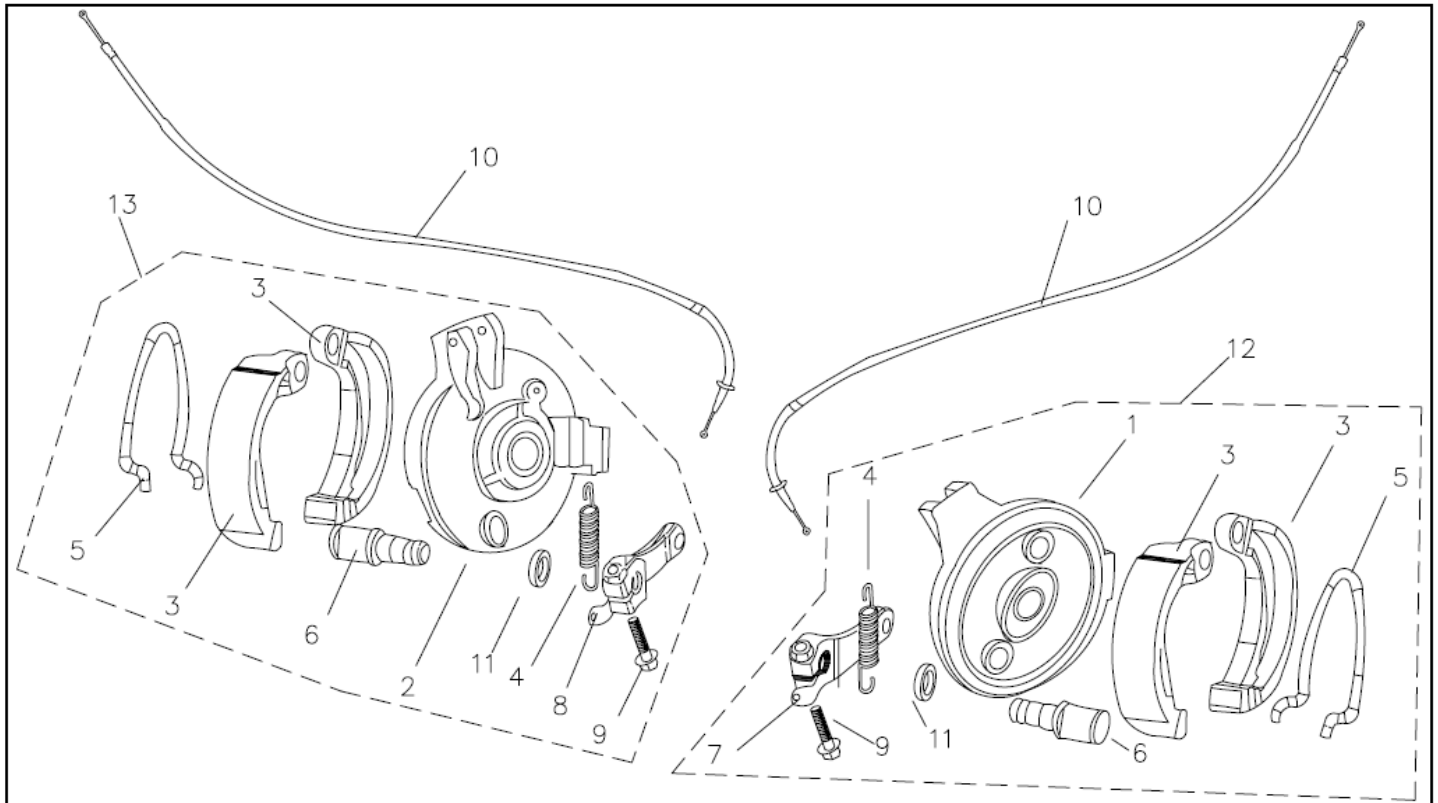
| Item | Part No.         | Part Name                         | Spec.        | Q'ty |
|------|------------------|-----------------------------------|--------------|------|
| 1    | 45127-3AR-000    | Hose, Foot Brake                  | 700          | 1    |
| 2    | 45544-3AR-000    | Spring, Braking Switch            | 1*7*72       | 1    |
| 3    | 45543-3AR-000    | Switch, Braking                   |              | 1    |
| 4    | 45520-3AR-000    | Master Cylinder Ass'y, Foot Brake | Foot Brake   | 1    |
| 5    | 91001-08016-05B  | Buttonhead Bolt, Hex. Socket      | M8*P1.25-16L | 2    |
| 6    | 90145-MS9-6110-M | Bolt, Brake Hose                  | M10×22       | 2    |
| 7    | 94104-10140-CU   | Washe, Copper                     | 10.2×14×1.0  | 4    |
| 8    | 45530-3AR-001    | Pedal, Brake                      |              | 1    |
| 9    | 90005-06012-17   | Bolt, Flate                       | M6*12        | 1    |
| 10   | 45535-3AR-000    | Rubber, Damper                    |              | 1    |
| 11   | 91000-08016-06G  | Bolt, Hex. Socket                 | M8*P1.25-16L | 2    |
| 12   | 45542-3AR-000    | Spring, Brake Pedal               | 1.39x9x70    | 1    |

F6, Bearing Housing, R. Disc Brake



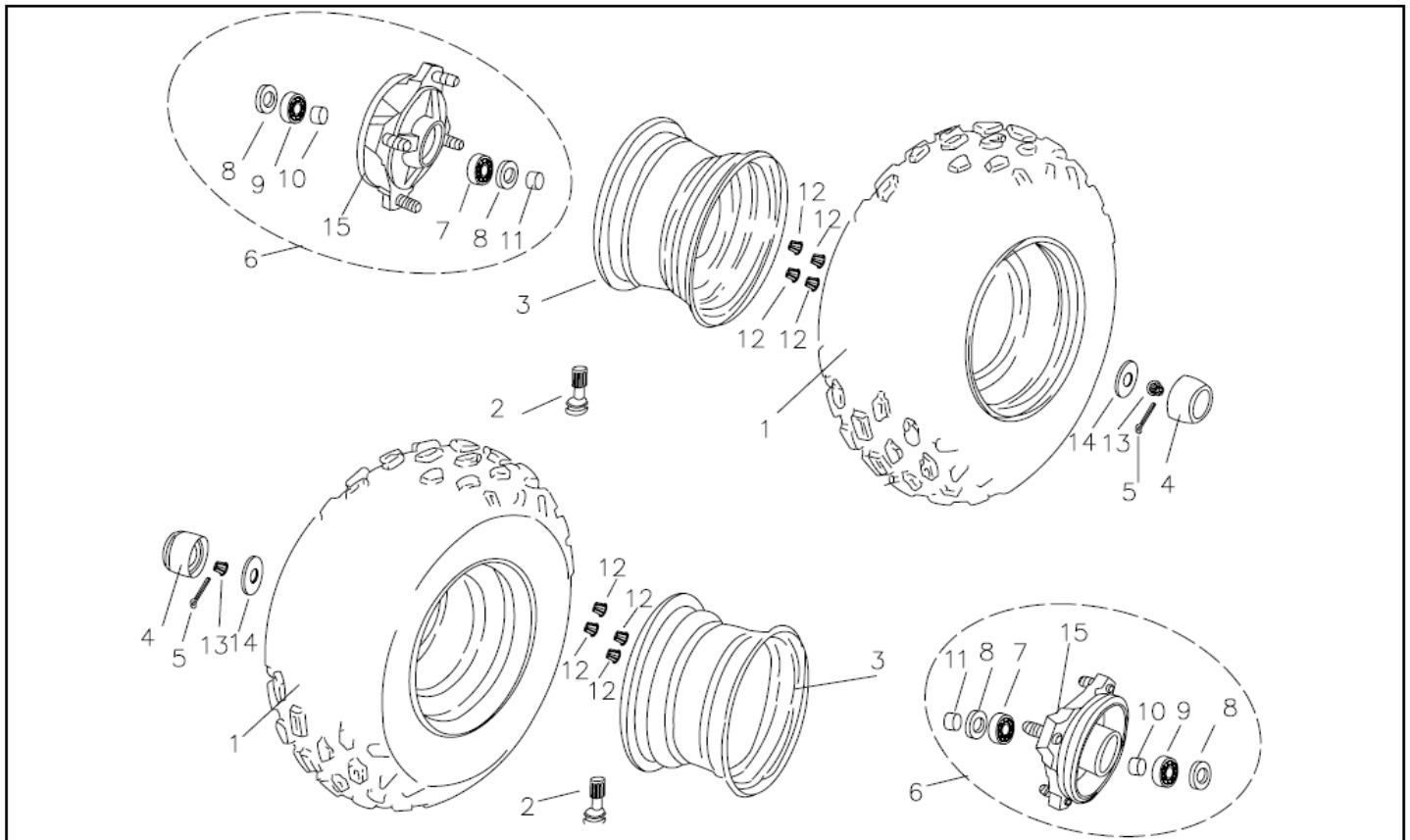
| Item | Part No.        | Part Name                               | Spec.         | Q'ty |
|------|-----------------|---|---------------|------|
| 1    | 45250-3AR-A0A   | Caliper , Rear Brake                    |               | 1    |
| 2    | 45105-3AR-00A   | Pad Kit, Rear Disc Brake                |               | 1    |
| 3    | 45121-3AR-000   | Disc, Rear Brake                        | 180×38×62     | 1    |
| 4    | 42625-3AR-00A   | Bracket, Rear Brake Disc                | P62×38        | 1    |
| 5    | 42635-3AR-BK0   | Housing, Rear Axle Bearing (Disc)       |               | 1    |
| 6    | 50150-3137134   | Spacer                                  | 31×36.3×134.7 | 1    |
| 7    | 91258-355508    | Seal, Oil                               | 35×55×8       | 2    |
| 8    | 96140-6006ZZ    | Bearing, Ball                           | 6006ZZ        | 2    |
| 9    | 91000-10014-97K | Bolt, Hex. Socket                       | M10×14        | 3    |
| 10   | 91000-08030     | Bolt, Hex. Socket                       | M8×30         | 2    |
| 11   | 95701-12040-KL  | Bolt ,Hex. Flange                       | M12×40        | 2    |
| 12   | 95701-12032-KL  | Bolt ,Hex. Flange                       | M12*32        | 2    |
| 13   | 45290-3AR-BK0   | Bracket, Caliper                        |               | 1    |
| 14   | SW 12021K       | Washer, Spring                          |               | 4    |
| 15   | 94101-1230030K  | Washer, Plate                           | 12×30×3.0     | 2    |
| 16   | 45251-3AR-000   | spacer, Caliper Ass'y                   | 8×15×4        | 2    |
| 17   | A42636-3AR-BK0  | Housing Ass'y, Rear Axle Bearing (Disc) |               | 1    |

F7, Drum Brake, Front



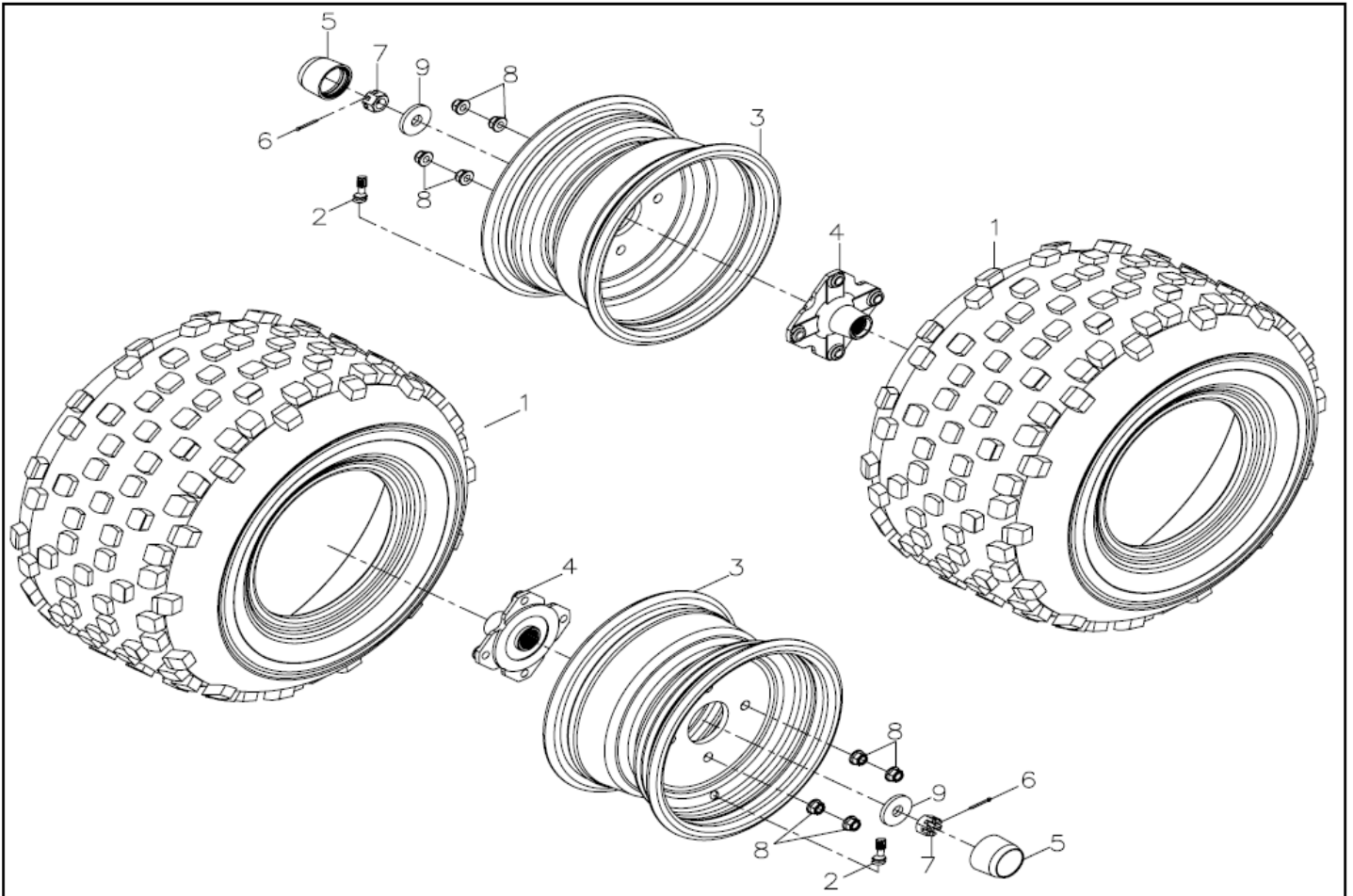
| Item | Part No.       | Part Name                    | Spec.        | Q'ty |
|------|----------------|------------------------------|--------------|------|
| 1    | 47151-3AR-000  | L. Plate, Brake Anchor       |              | 1    |
| 2    | 47152-3AR-000  | R. Plate, Brake Anchor       |              | 1    |
| 3    | 47105-3AR-000  | F. Brake Shoe                |              | 4    |
| 4    | 47127-3AR-000  | Spring, Front Brake          | 1.0×7.0×44.5 | 2    |
| 5    | 47106-3AR-000  | Spring, Front Brake Shoe     |              | 2    |
| 6    | 47141-3AR-000  | Cam, Front Brake             |              | 2    |
| 7    | 47131-3AR-000  | L. Lever, Front Brake Cam    |              | 1    |
| 8    | 47132-3AR-000  | R. Lever, Front Brake Cam    |              | 1    |
| 9    | 95701-05024-07 | Bolt, Hex. Flange            | M5×24        | 2    |
| 10   | 47126-3AR-000  | Cable, Front Brake           |              | 2    |
| 11   | 47142-3AR-000  | Cotton Grommet               |              | 2    |
| 12   | 47151-3AR-A00  | L. Plate Ass'y, Brake Anchor |              | 1    |
| 13   | 47152-3AR-A00  | R. Plate Ass'y, Brake Anchor |              | 1    |

F8, Wheel & Tires, Front



| Item | Part No.            | Part Name               | Spec.          | Q'ty |
|------|---------------------|-------------------------|----------------|------|
| 1    | 44710-190708DI2005  | Tyre                    | 19x7-8 DI2005  | 2    |
| 2    | 44711-TR-412        | Valve, Tyre             | TR-412         | 2    |
| 3    | 44700-0855-11090-BK | Rim                     | 8x5.5 (STEEL)  | 2    |
| 4    | 44720-PK-6142       | Center Cap, Wheel       |                | 2    |
| 5    | 94201-32425         | Cotter Pin              | 3.2x425        | 2    |
| 6    | A47121-3AR-000      | Hub Ass'y, Front Wheel  | D-Arm          | 2    |
| 7    | 96140-6002Z         | Bearing, Ball           | 6002Z          | 2    |
| 8    | 91258-223507        | Seal, Oil               | 22x35x7        | 4    |
| 9    | 96140-6003Z         | Bearing, Ball           | 6003Z          | 2    |
| 10   | 50150-1522015       | Spacer, Inner           | 20.5x24.6x30.8 | 2    |
| 11   | 50150-1522010       | Spacer, Outer           | 16.3x23x8.5    | 2    |
| 12   | 90350U-10014        | Nut, Flange Insert Lock | M10xP1.25      | 8    |
| 13   | 90351-12000K        | Nut                     | M12xP1.25      | 2    |
| 14   | 94101-1240050       | Washer, Plate           | 12x40x4.5      | 2    |
| 15   | 47121-3AR-000       | Hub., Front Wheel       |                | 2    |

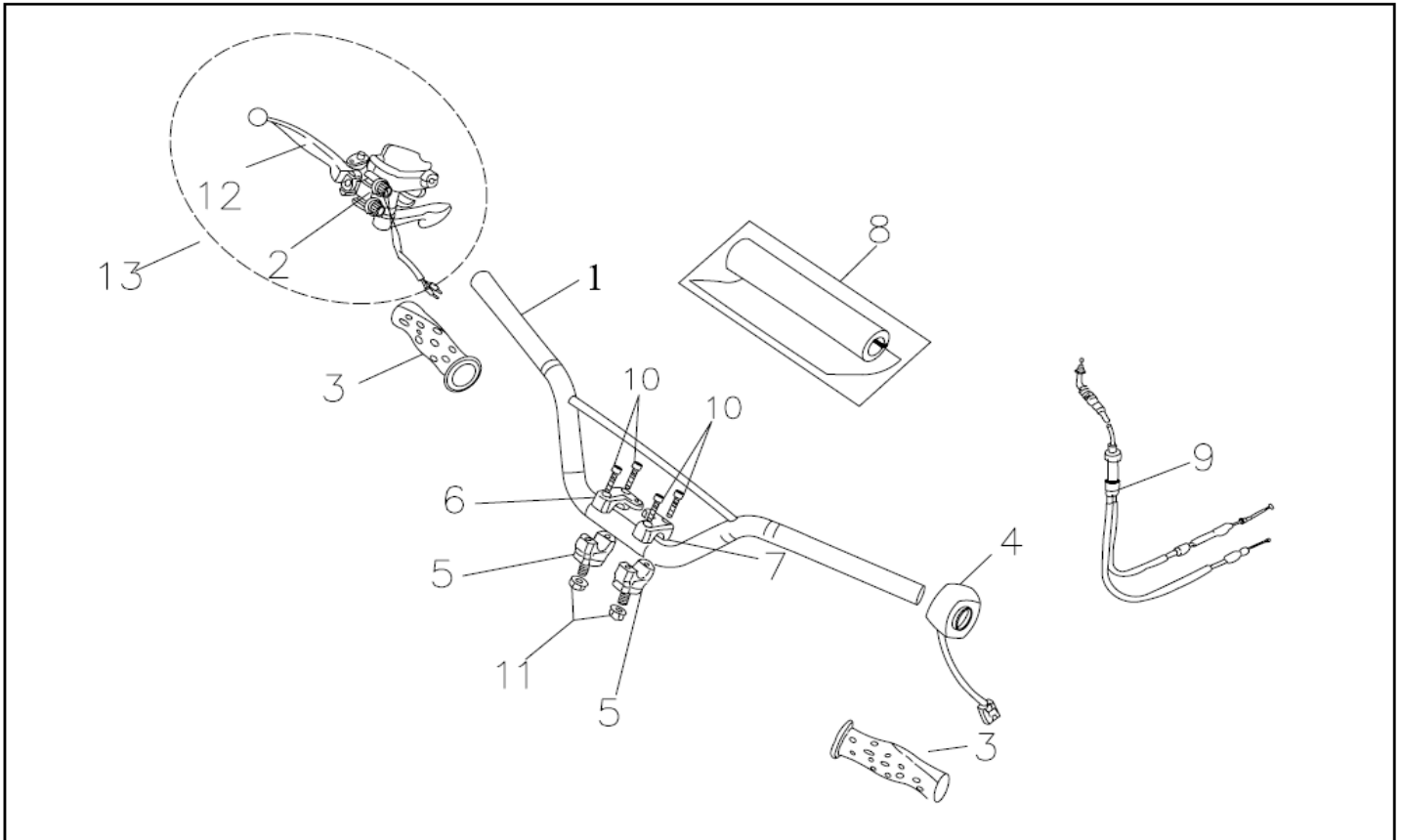
F9, Wheel & Tire, Rear



| Item | Part No.            | Part Name               | Spec.           | Q'ty |
|------|---------------------|-------------------------|-----------------|------|
| 1    | 44710-189508DI2006  | Tyre                    | 18x9.5-8 DI2006 | 2    |
| 2    | 44711-TR-412        | Valve, Rim              | TR-412          | 2    |
| 3    | 44700-0855-11090-BK | Rim                     | 8x5.5(STEEL)    | 2    |
| 4    | 42350-3AR-000       | Hub., Rear Wheel        |                 | 2    |
| 5    | 44720-PK-6142       | Center Cap, Wheel       | PK-6142         | 2    |
| 6    | 94201-32425         | Cotter Pin              | 3.2x425         | 2    |
| 7    | 90351-14022-18      | Nut                     | M14*P1.25       | 2    |
| 8    | 90350U-10014-10     | Nut, Flange Insert Lock | M10xP1.25       | 8    |
| 9    | 94101-1440045       | Washer, Plate           | 14.3x40x4.5     | 2    |

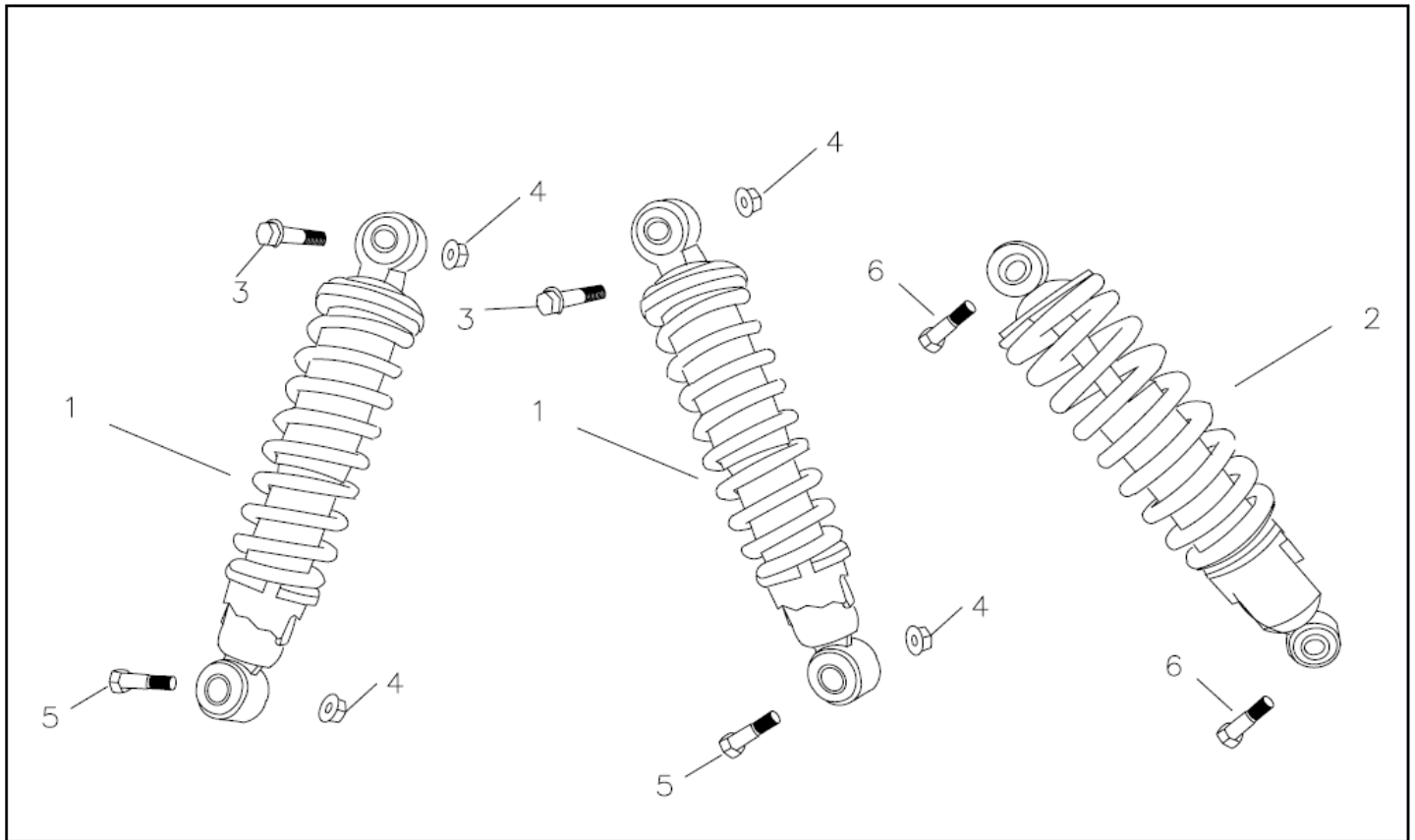


F10, Handlebar



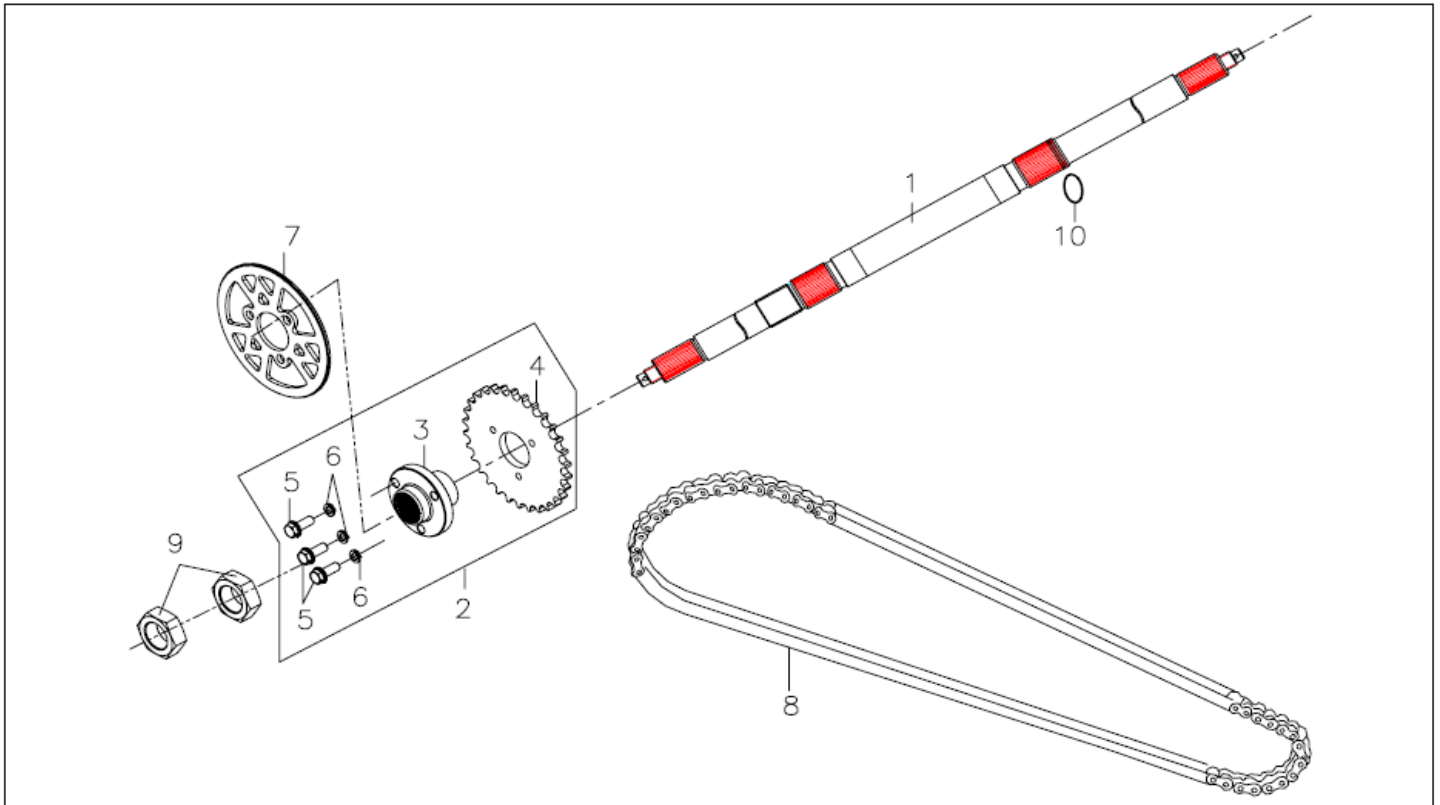
| Item | Part No.       | Part Name                      | Spec.             | Q'ty |
|------|----------------|--------------------------------|-------------------|------|
| 1    | 53100-3AR-BK0  | Handlebar                      |                   | 1    |
| 2    | 56160-3AR-000  | F. Brake Level/ Throttle       | parking brake無調整螺 | 1    |
| 3    | 53110-7A1-000  | Grip, Handlebar                | HY-603            | 2    |
| 4    | 35150-3AR-000  | Switch Ass'y                   |                   | 1    |
| 5    | 53300-3AR-000  | Bottom Holdar, Handlebar       |                   | 2    |
| 6    | 53310-3AR-000  | R. Up Holdar, Handlebar        |                   | 1    |
| 7    | 53320-3AR-000  | L. Up Holdar, Handlebar        |                   | 1    |
| 8    | 53120-3AR-1EM  | Pad, Handlebar                 | APEX              | 1    |
| 9    | 17910-3AR-000  | Cable, Throttle                |                   | 1    |
| 10   | 91000-06025    | Bolt, Hex. Socket              | M6×25             | 4    |
| 11   | 90350U-10014   | Nut, Flange Insert Lock        | M10×P1.25         | 2    |
| 12   | 53175-3AR-000  | R. Lever, Brake                |                   | 1    |
| 13   | A56160-3AR-000 | F. Brake Level/ Throttle Ass'y |                   | 1    |

F11, Suspension



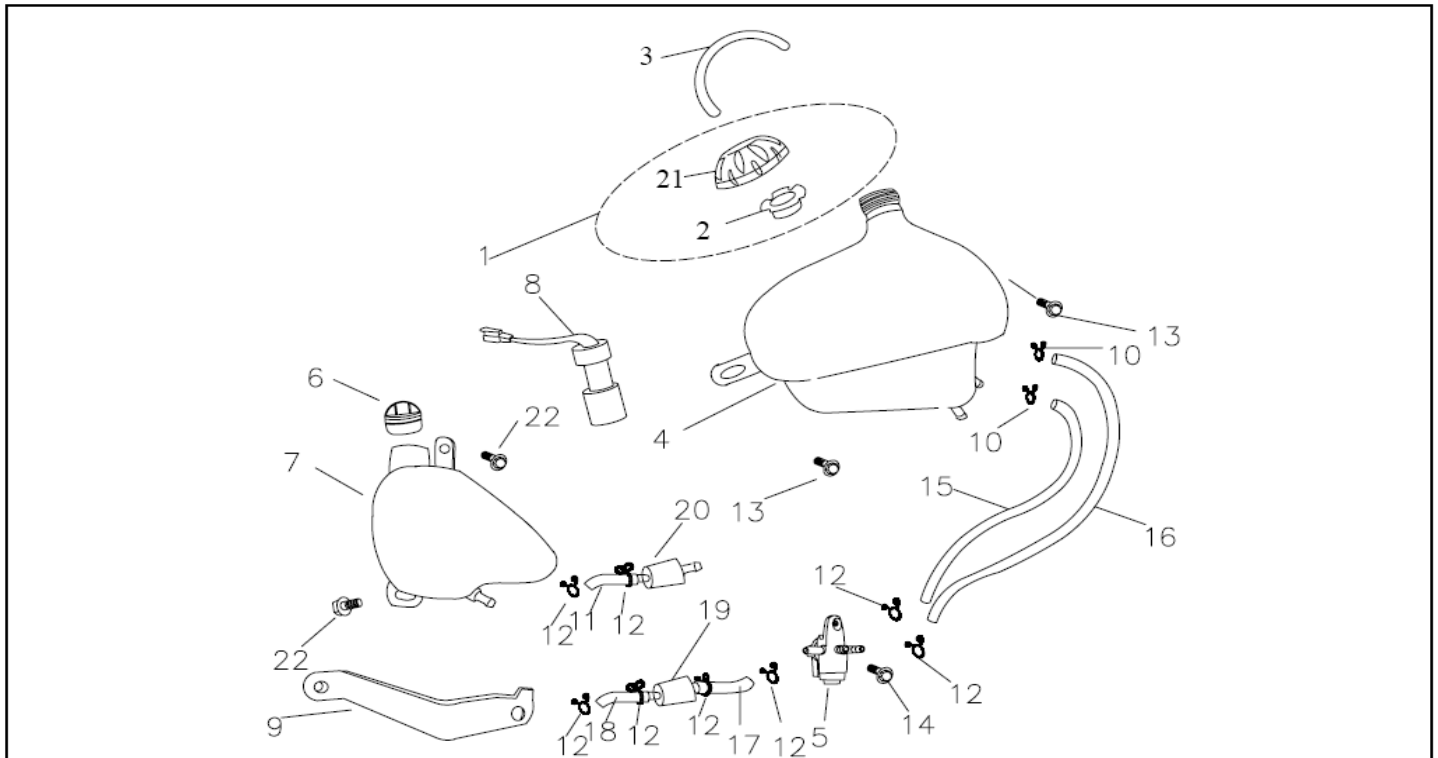
| Item | Part No.        | Part Name               | Spec.     | Q'ty |
|------|-----------------|-------------------------|-----------|------|
| 1    | 51400-3AR-00B   | Shock Absorber, Front   | 245mm     | 2    |
| 2    | 52400-3AR-000   | Shock Absorber, Rear    | 260mm     | 1    |
| 3    | 95801-10042-97K | Bolt, Hex. Flange       | M10x42    | 2    |
| 4    | 90350U-10014    | Nut, Flange Insert Lock | M10×P1.25 | 4    |
| 5    | 92000-10040     | Bolt, Hex.              | M10x40    | 2    |
| 6    | 95801-10035-9GL | Bolt, Hex. Flange       | M10x35    | 2    |

F12, Axle/ Chain



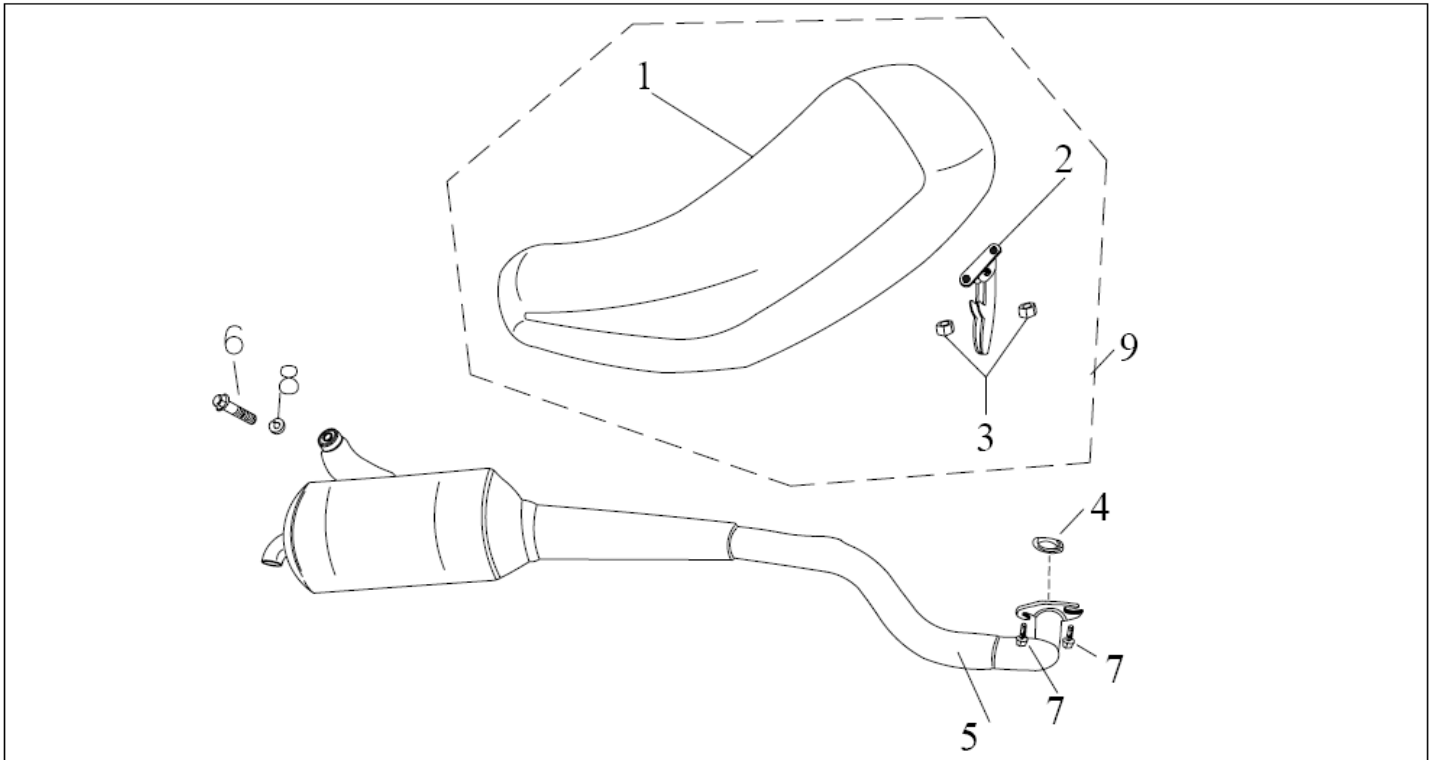
| Item | Part No.         | Part Name                | Spec.    | Q'ty |
|------|------------------|--------------------------|----------|------|
| 1    | 42300-3AR-001    | Axle, Wheel              | 711L     | 1    |
| 2    | 42610-428028     | Bracket Ass'y , Sprocket |          | 1    |
| 3    | 42615-3AR-000    | Bracket, Sprocket        |          | 1    |
| 4    | 41200-428028     | Sprocket                 | 428-28   | 1    |
| 5    | 95701-08025-07   | Bolt, Hex. Flange        | M8x25    | 3    |
| 6    | SW 08015K        | Washer, Spring           |          | 3    |
| 7    | 42611-7A1-000-BK | Protector, Sprocket      |          | 1    |
| 8    | 40530-428086     | Chain                    | 428-86   | 1    |
| 9    | 42330-3AR-000    | Nut, Axle                | M28xP1.5 | 2    |
| 10   | 42340-3AR-000    | Ring, Alx                |          | 1    |

F13 Fuel & Oil Tank



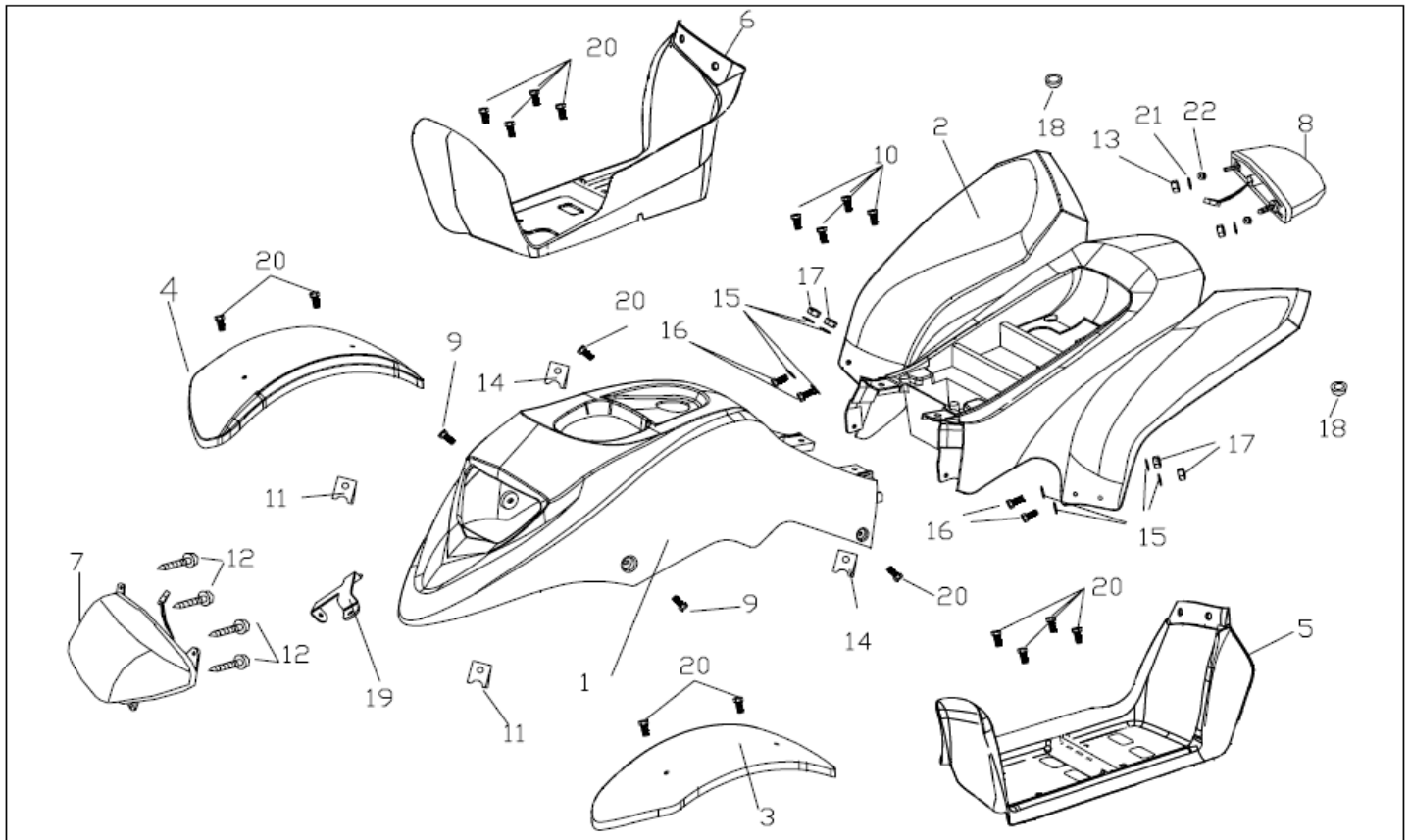
| Item | Part No.        | Part Name                     | Spec. | Q'ty |
|------|-----------------|-------------------------------|-------|------|
| 1    | 17620-3AR-000   | Cap Ass'y, Fuel Tank          |       | 1    |
| 2    | 17622-3AR-000   | Seal, Cap                     |       | 1    |
| 3    | 17621-3AR-000   | Tube, Breathe                 | L=250 | 1    |
| 4    | 17510-3AR-000   | Tank, Fuel                    |       | 1    |
| 5    | 16950-3AR-000   | Cock Ass'y, Fuel              |       | 1    |
| 6    | 17720-3AR-000   | Cap, Oil Tank                 |       | 1    |
| 7    | 17710-3AR-000   | Tank, Oil                     |       | 1    |
| 8    | 17711-3AR-000   | Level Gauge, Oil              |       | 1    |
| 9    | 17712-3AR-000   | Mounting Plate, Oil Tank      |       | 1    |
| 10   | 17631-3AR-000   | Clip, Fuel Tube               |       | 2    |
| 11   | 17730-08050     | Tube, Oil                     | L=50  | 1    |
| 12   | 16320-08008     | Clip, Fuel Tube               | 8x0.8 | 8    |
| 13   | 93404-06016-10G | Bolt ,Hex. Flange with Washer | M6x16 | 2    |
| 14   | 95701-06012-07  | Bolt , Hex. Flange            | M6x12 | 1    |
| 15   | 17630-08290     | Tube A, Fuel                  | L=340 | 1    |
| 16   | 17630-08235     | Tube B, Fuel                  | L=290 | 1    |
| 17   | 17630-08200     | Tube C, Fuel                  | L=150 | 1    |
| 18   | 17630-08080     | Tube D, Fuel                  | L=70  | 1    |
| 19   | 16300-A2C4-000  | Filter, Fuel                  |       | 1    |
| 20   | 17735-3AR-000   | Filter, Oil                   |       | 1    |
| 21   | 17623-3AR-000   | Cap, Fuel Tank                |       | 1    |
| 22   | 93404-06012-07  | Bolt ,Hex. Flange with Washer | M6*12 | 2    |

F14, Seat & Ex. Pipe



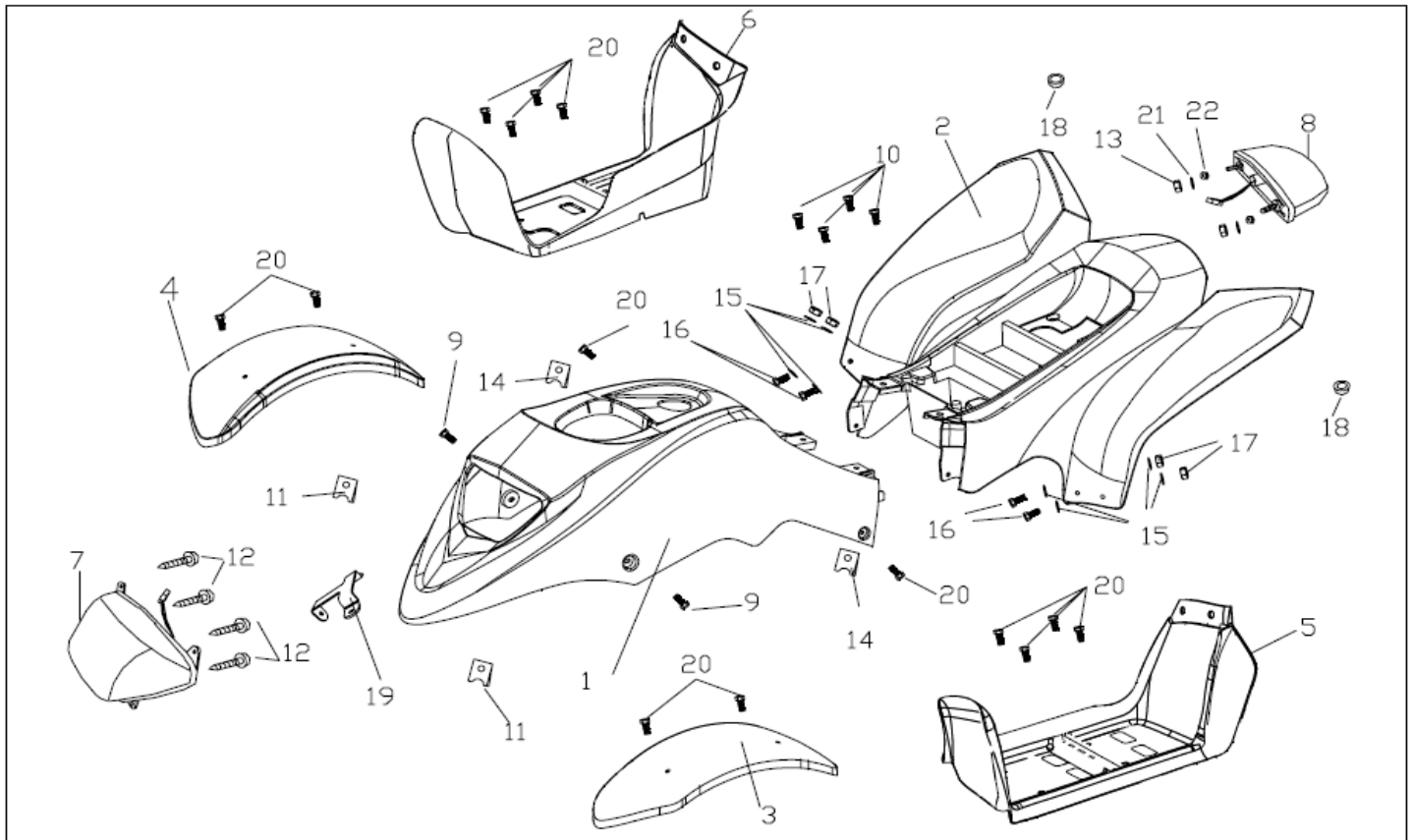
| Item | Part No.       | Part Name                      | Spec.     | Q'ty |
|------|----------------|--------------------------------|-----------|------|
| 1    | 77200-3AR-0EM  | Seat                           | 全黒        | 1    |
| 2    | 77230-3AR-000  | Lock Ass'y, Seat               |           | 1    |
| 3    | 94050-06000    | Nut, Hex Flange with Serration | M6xP1.0   | 2    |
| 4    | 53420-3AR-00A  | Gasket, Exhaust Pipe           | 圓形(標準型)   | 1    |
| 5    | 53400-3AR-00D  | Exhaust Pipe                   | (無認証,改良型) | 1    |
| 6    | 95701-08035-07 | Bolt , Hex. Flange             | M8*35     | 1    |
| 7    | 90149-06012-OG | Bolt, Exhaust pipe             | M6*12     | 2    |
| 8    | SW 08015 K     | Washer, Spring                 |           | 1    |
| 9    | 77000-3AR-0EM  | Seat Ass'y                     | 全黒        | 1    |

**F15, Body Cover**



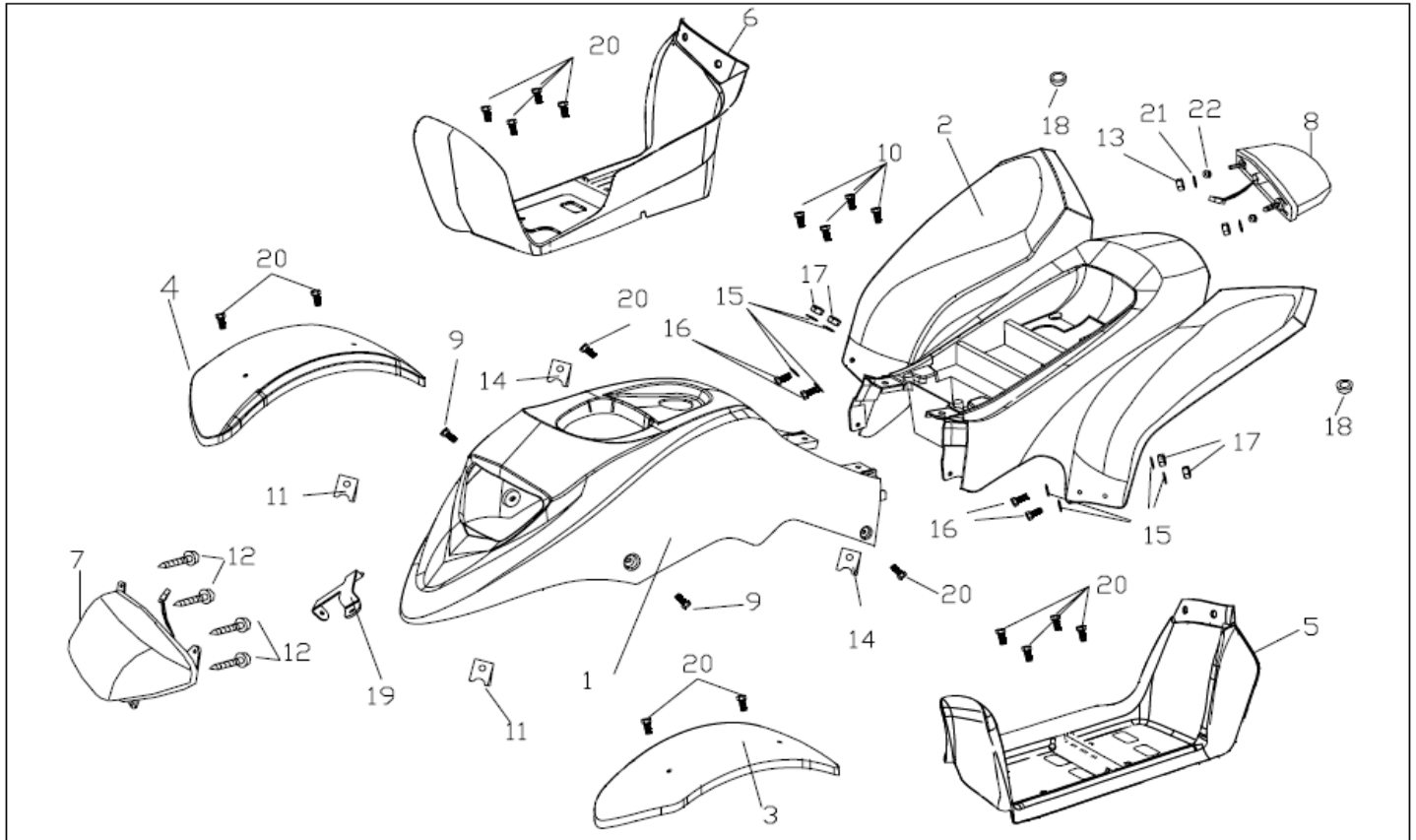
| Item          | Part No.      | Part Name                | Spec.                  | Q'ty |
|---------------|---------------|--------------------------|------------------------|------|
| 1             | 61320-3AR-BK0 | Body Cover, Front Black  |                        | 1    |
|               | 61320-3AR-BL0 | Body Cover, Front Blue   |                        | 1    |
|               | 61320-3AR-WH0 | Body Cover, Front White  |                        | 1    |
|               | 61320-3AR-RE0 | Body Cover, Front Red    |                        | 1    |
|               | 61320-3AR-OR0 | Body Cover, Front Orange |                        | 1    |
|               | 61320-3AR-YE0 | Body Cover, Front Yellow |                        | 1    |
|               | 2             | 64340-3AR-BK0            | Body cover, Rear Black |      |
| 64340-3AR-BL0 |               | Body cover, Rear Blue    |                        | 1    |
| 64340-3AR-WH0 |               | Body cover, Rear White   |                        | 1    |
| 64340-3AR-RE0 |               | Body cover, Rear Red     |                        | 1    |
| 64340-3AR-OR0 |               | Body cover, Rear Orange  |                        | 1    |
| 64340-3AR-YE0 |               | Body cover, Rear Yellow  |                        | 1    |
| 3             |               | 61200-3AR-BK0            | Fender, L. Black       |      |
|               | 61200-3AR-BL0 | Fender, L. Blue          |                        | 1    |
|               | 61200-3AR-WH0 | Fender, L. White         |                        | 1    |
|               | 61200-3AR-RE0 | Fender, L. Red           |                        | 1    |
|               | 61200-3AR-OR0 | Fender, L. Orange        |                        | 1    |
|               | 61200-3AR-YE0 | Fender, L. Yellow        |                        | 1    |

F15, Body Cover



| Item | Part No.       | Part Name                     | Spec.      | Q'ty |
|------|----------------|-------------------------------|------------|------|
| 4    | 61100-3AR-BK0  | Fender, R. Black              |            | 1    |
|      | 61100-3AR-BL0  | Fender, R. Blue               |            | 1    |
|      | 61100-3AR-WH0  | Fender, R. White              |            | 1    |
|      | 61100-3AR-RE0  | Fender, R. Red                |            | 1    |
|      | 61100-3AR-OR0  | Fender, R. Orange             |            | 1    |
|      | 61100-3AR-YE0  | Fender, R. Yellow             |            | 1    |
| 5    | 64420-3AR-00A  | Enclosed Footrest, L.         | (塑膠)       | 1    |
| 6    | 64410-3AR-00B  | Enclosed Footrest, R.         | (有孔塑膠)     | 1    |
| 7    | 33310-3AR-000  | Light, Head                   |            | 1    |
| 8    | 33701-3AR-000  | Light, Tail                   |            | 1    |
| 9    | 93404-06012-07 | Bolt ,Hex. Flange with Washer | M6*12      | 2    |
| 10   | 90005-06012-17 | Bolt, Flate                   | M6*12      | 4    |
| 11   | 90302-VSN4-C   | Plate, Spring                 |            | 2    |
| 12   | TT-104120-U3   | Screw, Tapping                | M4*12      | 4    |
| 13   | 90350U-06000-K | Nut, Flange Insert Lock       | M6*1.0     | 2    |
| 14   | 90344-06000K   | Plate, Spring                 |            | 2    |
| 15   | FW05014 K      | Washer, Plate                 | 5.3*14*0.8 | 8    |
| 16   | 90005-05015-17 | Bolt, Flate                   | M5*15      | 4    |

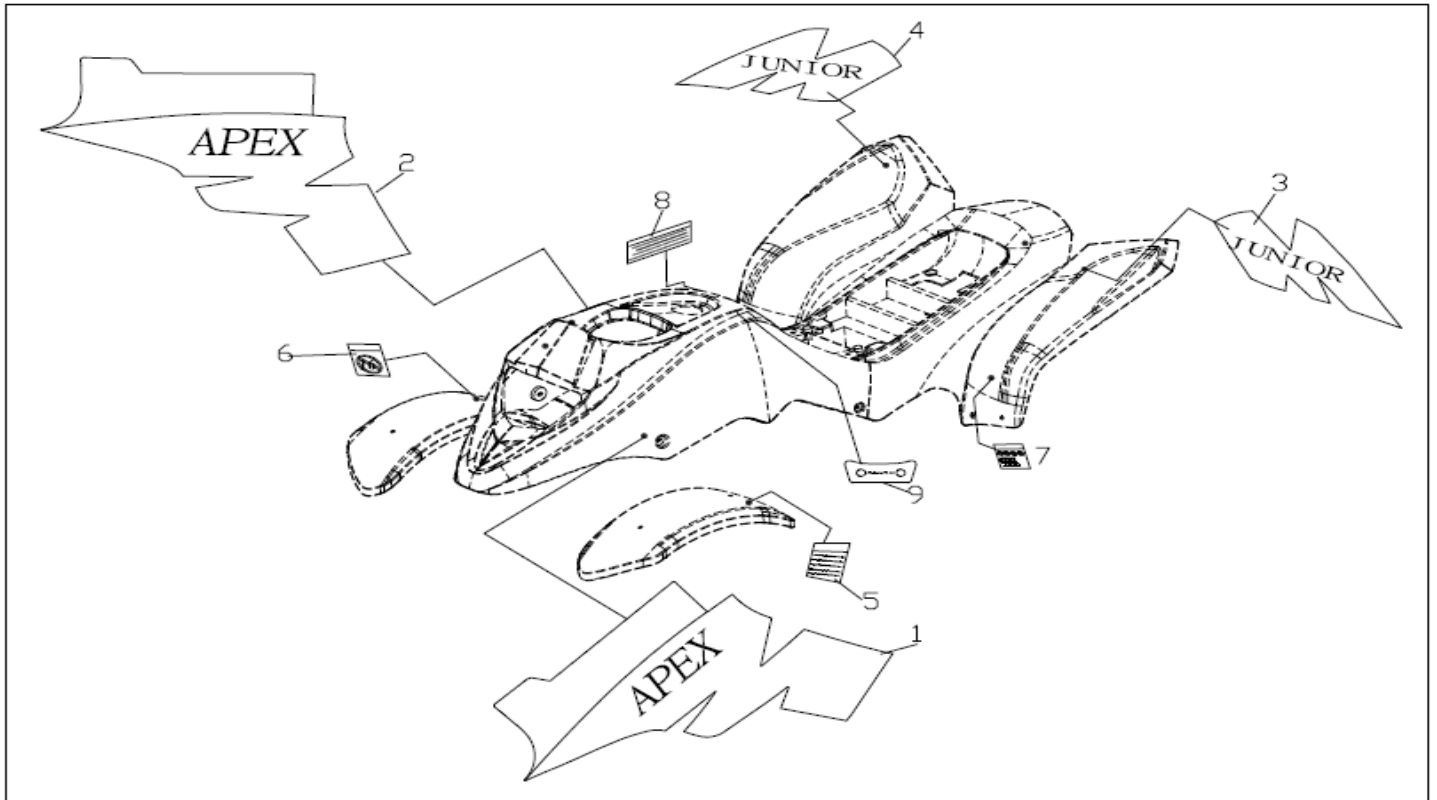
F15, Body Cover



|    |                 |  |                               |        |    |
|----|-----------------|--|-------------------------------|--------|----|
| 17 | NN05008K        |  | Nut, Flange Insert Lock       | M5*0.8 | 4  |
| 18 | 45535-3AR-000   |  | Rubber, Damper                |        | 2  |
| 19 | 50720-3AR-000   |  | Bracket, Head Light           |        | 1  |
| 20 | 93404-06016-10G |  | Bolt ,Hex. Flange with Washer | M6*16  | 14 |
| 21 | 94101-0622010   |  | Washer, Plate                 | 6*22*1 | 2  |
| 22 | 50534-3AR-000   |  | Rubber Absorber, Tail Light   |        | 2  |

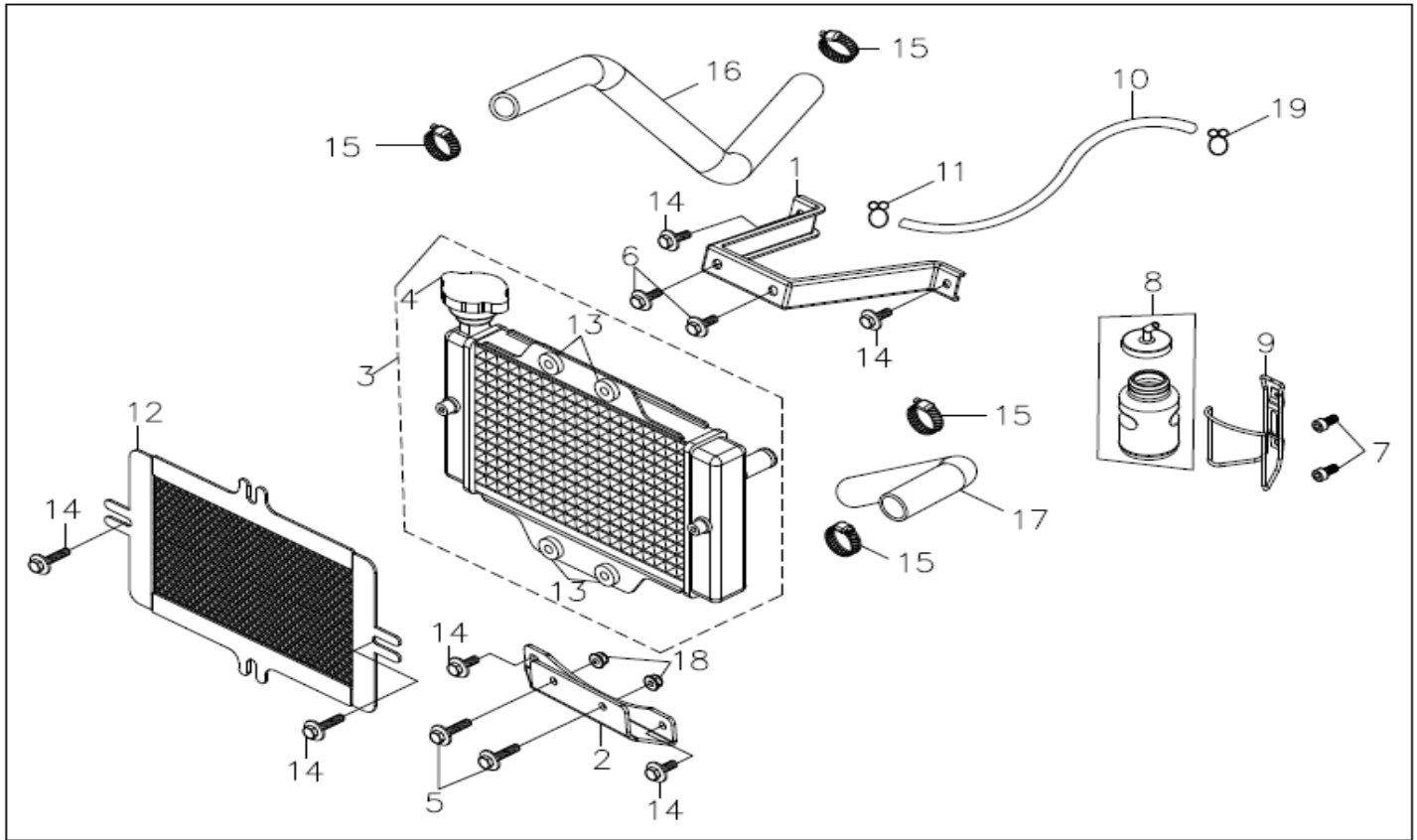


F16. Sticker



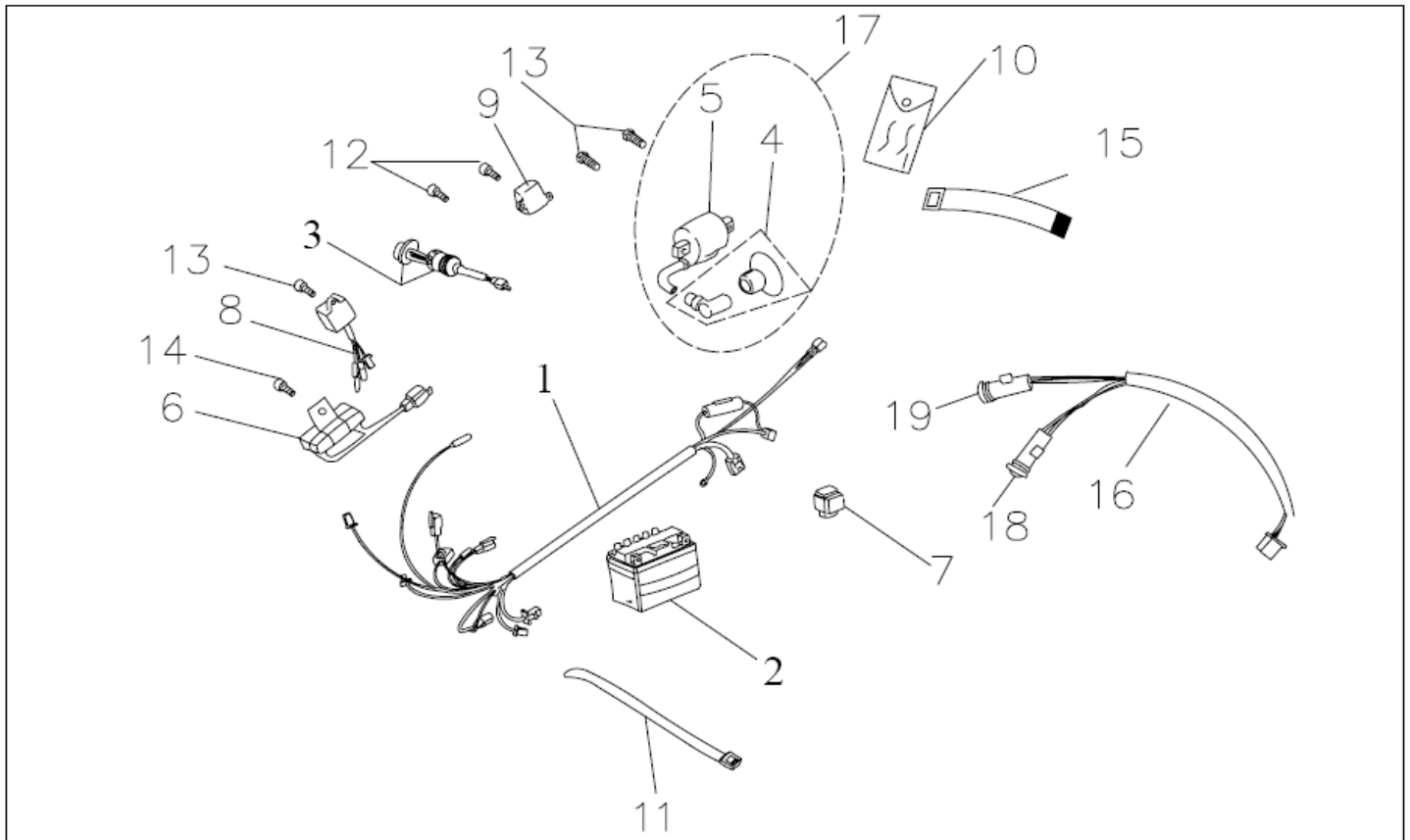
| Item | Part No.      | Part Name                    |                | Q'ty |
|------|---------------|------------------------------|----------------|------|
| 1    | 61321-7A1-000 | Side Sticker, L.             |                | 1    |
| 2    | 61322-7A1-000 | Side Sticker, R.             |                | 1    |
| 3    | 64341-3AR-JU0 | Rear Sticker, L. (JUNIOR MX) | BK, BL         | 1    |
|      | 64341-3AR-JUA | Rear Sticker, L. (JUNIOR MX) | RE, YL, OR, WH | 1    |
| 4    | 64342-3AR-JU0 | Rear sticker, R. (JUNIOR MX) | BK, BL         | 1    |
|      | 64342-3AR-JUA | Rear sticker, R. (JUNIOR MX) | RE, YL, OR, WH | 1    |
| 5    | 64511-3AR-000 | Vehicle, Waring Label        |                | 1    |
| 6    | 64512-3AR-016 | Age, Waring Label            |                | 1    |
| 7    | 61325-3AR-000 | Operating, Waring Label      |                | 1    |
| 8    | 64513-3AR-000 | Waring Label, Muffler        |                | 1    |
| 9    | 61323-3AR-00A | UNLEADED ONLY                |                | 1    |

F17, Radiator



| Item | Part No.        | Part Name                     | Spec.   | Q'ty |
|------|-----------------|-------------------------------|---------|------|
| 1    | 19120-3AR-BK0   | Up Bracket, Radiator          |         | 1    |
| 2    | 19110-3AR-00A   | Bottom Bracket, Radiator      |         | 1    |
| 3    | 15231-7A1-A0B   | Radiator                      |         | 1    |
| 4    | 15232-7A1-000   | Cap, Liquid Cooler            |         | 1    |
| 5    | 93404-06025-07G | Bolt ,Hex. Flange with Washer | M6*25   | 2    |
| 6    | 91750-06020-10G | Bolt ,Hex. Flange with Washer | M6*20   | 2    |
| 7    | 91000-06010-07  | Bolt, Hex. Socket             | M6×10   | 2    |
| 8    | 19200-3AR-000   | Aux. Tank Kit, Liquid         |         | 1    |
| 9    | 19210-3AR-00A   | Bracket, Aux. Liquid Tank     |         | 1    |
| 10   | 95005-07300     | Tube, Overflow                | L=1150  | 1    |
| 11   | 16320-08008     | Clip                          | 8*0.8   | 1    |
| 12   | 19130-3AR-000   | Protective, Radiator          |         | 1    |
| 13   | 15234-3AR-000   | Rubber Absorber, Radiator     |         | 4    |
| 14   | 93404-06012-07  | Bolt ,Hex. Flange with Washer | M6*12   | 6    |
| 15   | 16411-A2DL-000  | Clamp, Hose                   |         | 4    |
| 16   | 15233-162451    | Hose A, Liquid                | L=451   | 1    |
| 17   | 15233-162435    | Hose C, Liquid                | L=435   | 1    |
| 18   | 90350-06U-10B   | Nut, Flange Insert Lock       | M6*P1.0 | 2    |
| 19   | 16320-10012     | Clip                          | 10*1.2  | 1    |

F18, Electrical



| Item | Part No.       | Part Name                    | Spec.     | Q'ty |
|------|----------------|------------------------------|-----------|------|
| 1    | 32100-3AR-000  | Wire, Electric               |           | 1    |
| 2    | 31500-3AR-000  | Battery                      | 5AH       | 1    |
| 3    | 35010-3AR-000  | Switch, Main                 | 00-001    | 1    |
| 4    | 30700-3AR-000  | Spark Plug Ass'y             |           | 1    |
| 5    | 30500-3AR-000  | Coil, Ignition               |           | 1    |
| 6    | 30800-3AR-000  | Resistor                     | 8.5Ω      | 1    |
| 7    | 38501-3AR-000  | Starter Relay Kit            |           | 1    |
| 8    | 30410-3AR-000  | C.D.I Unit                   |           | 1    |
| 9    | 31600-3AR-000  | Rectifier & Regulator        |           | 1    |
| 10   | 89010-3AR-000  | Tool                         |           | 1    |
| 11   | 89020-3AR-000  | Strap                        | ALT-200MM | 6    |
| 12   | 93500-05012    | Bolt, Pan Phillips           | M5×12     | 2    |
| 13   | 95701-06016-07 | Bolt, Hex. Flange            | M6×16     | 3    |
| 14   | 95701-06012-07 | Bolt, Hex. Flange            | M6×12     | 1    |
| 15   | 89011-3AR-000  | Band, Tool                   |           | 1    |
| 16   | 37223-3AR-000  | Warning, Lamp                |           | 1    |
| 17   | 30600-3AR-000  | Coil Ass'y, Ignition         |           | 1    |
| 18   | 37224-3AR-000  | Sump. Lamp Body Cover        |           | 1    |
| 19   | 37225-3AR-000  | Coolant temp Lamp Body Cover |           | 1    |