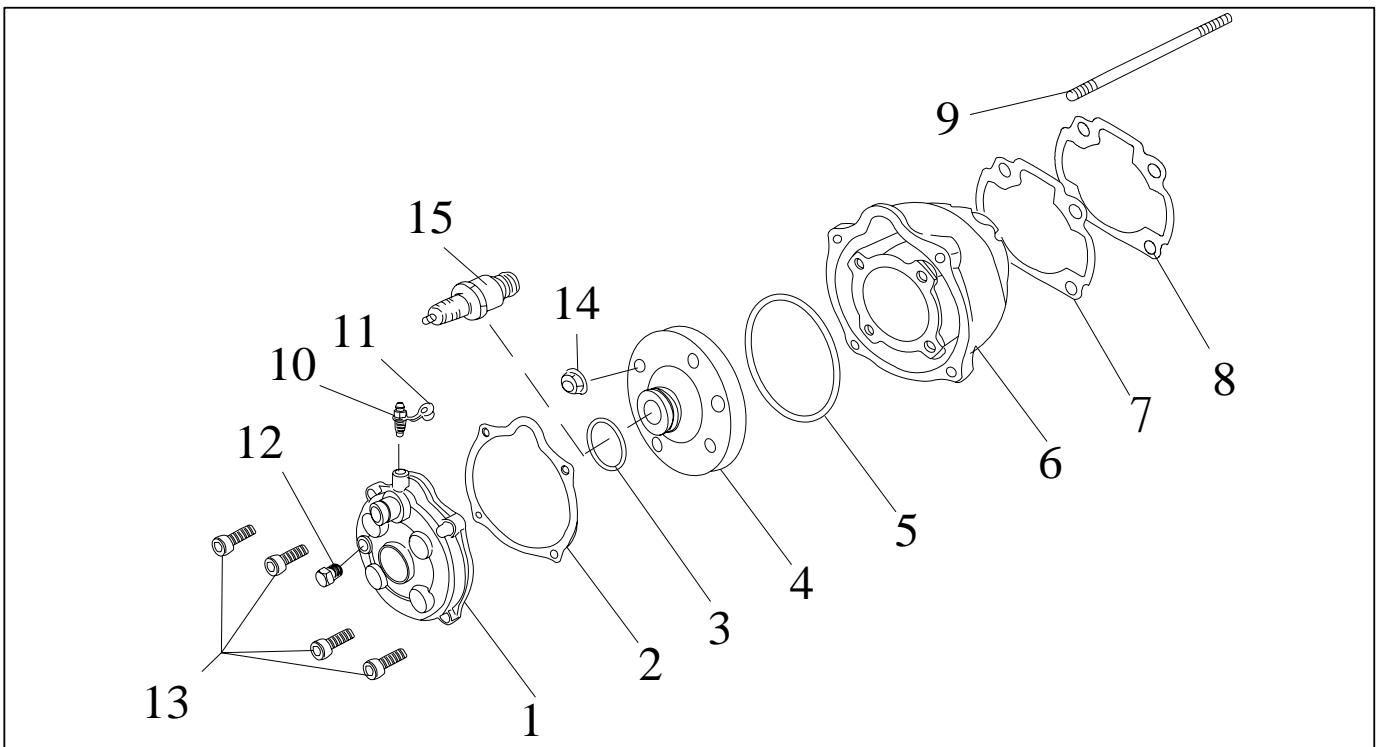


# **A-ONE MOTOR CORP.**

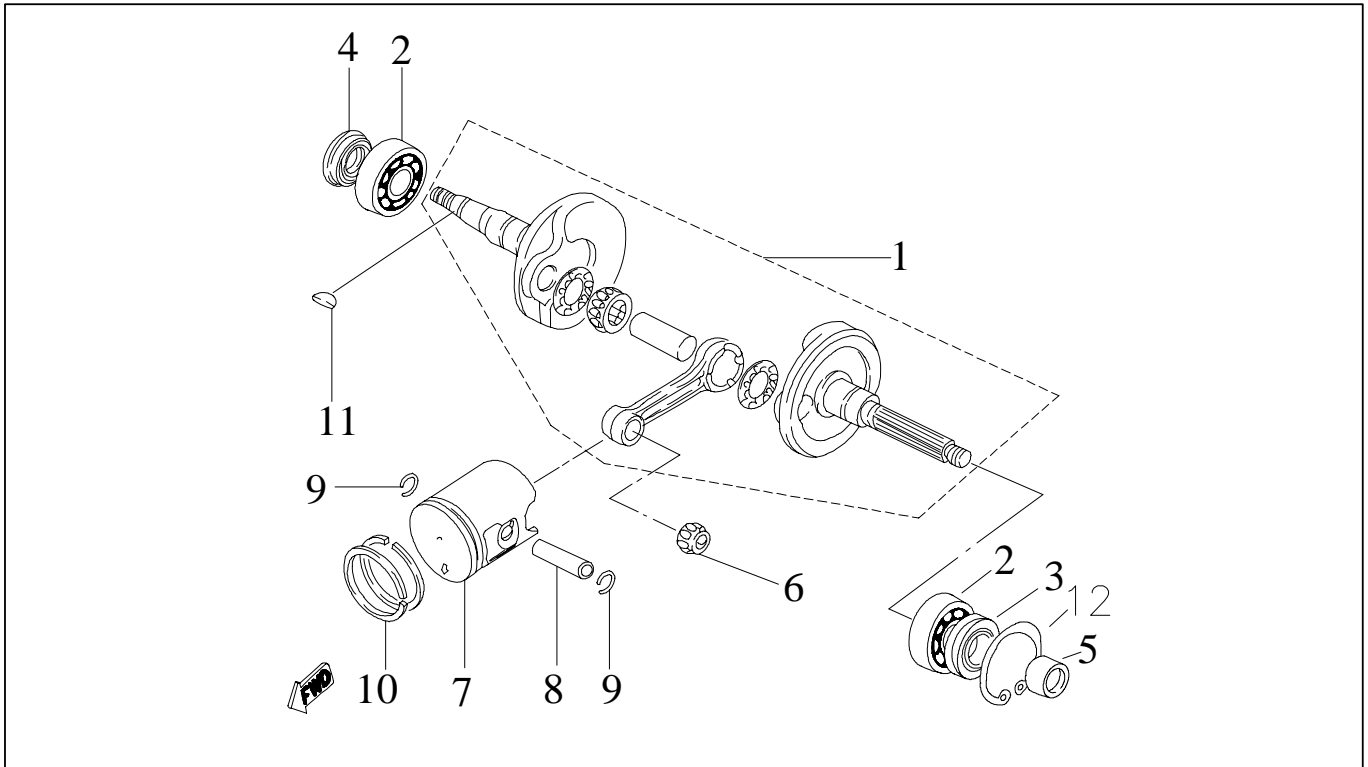
## **A2C4L Engine Parts List (2-Stroke 90cc Liquid Cooled)**

**Cylinder, Cylinder Head & Spark Plug**



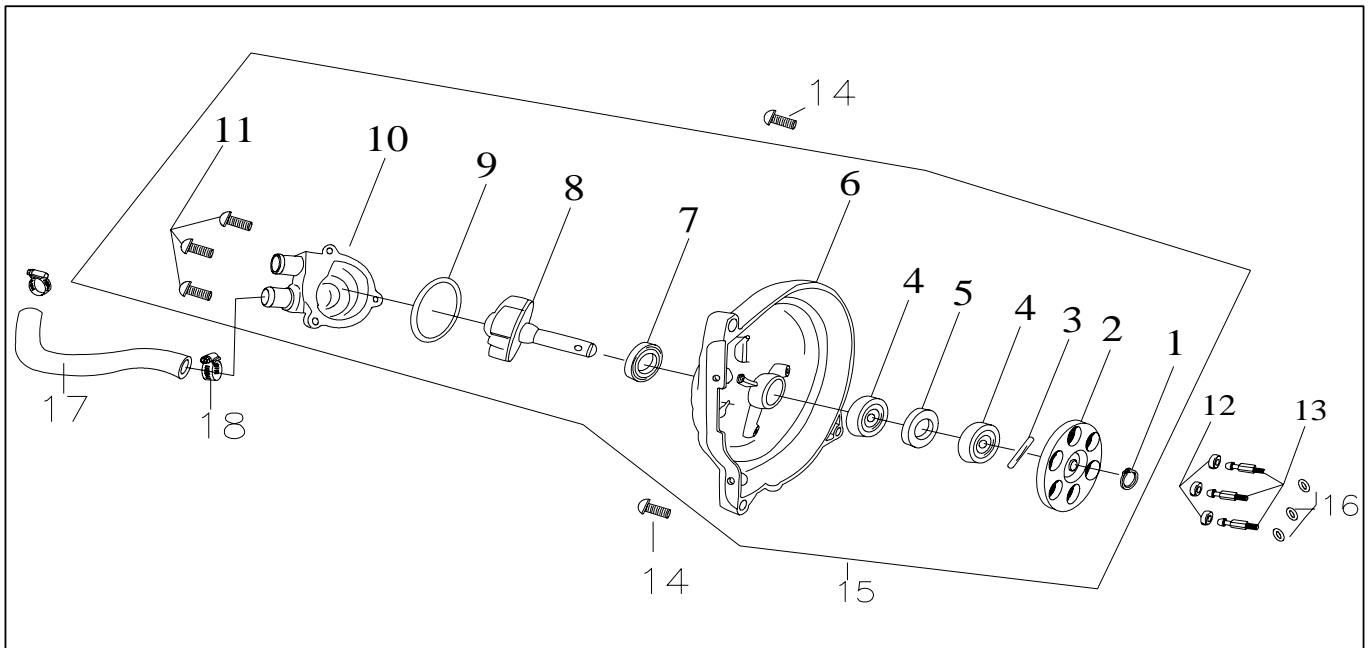
Item	Part Number	Part Name	Spec.	Qt'y
1	12210-A2DL-000	Head Cover, Cyl.		1
2	12251-A2DL-000	Gasket, Head Cover		1
3	91300-240025	Ring, Oil	24*2.4	1
4	12200-A2C4L-000	Head, Cylinder		1
5	91300-560020	Ring, Oil	56*1.9	1
6	12100-A2C4L-00A	Cylinder	52mm/77-0.77mm	1
7	12191-A2C4-000	Gasket, Cylinder	0.5mm	1
8	12191-A2C4-00A	Gasket, Cylinder	0.8mm	1
9	90800-07113	Bolt, Stud	M7*113	4
10	15872-A2DL-000	Bolt, Leaking		1
11	15873-A2DL-000	Cap, Rubber		1
12	93600-18			1
13	91000-06015	Hex. Socket Bolt	M6*P1.0*15	4
14	94000-07100	Hex. Acorn Washer Face Nut	M7x1.0	4
15	98069-C92LS	Plug, Spark	C92LS	1

**Piston, Crankshaft,**



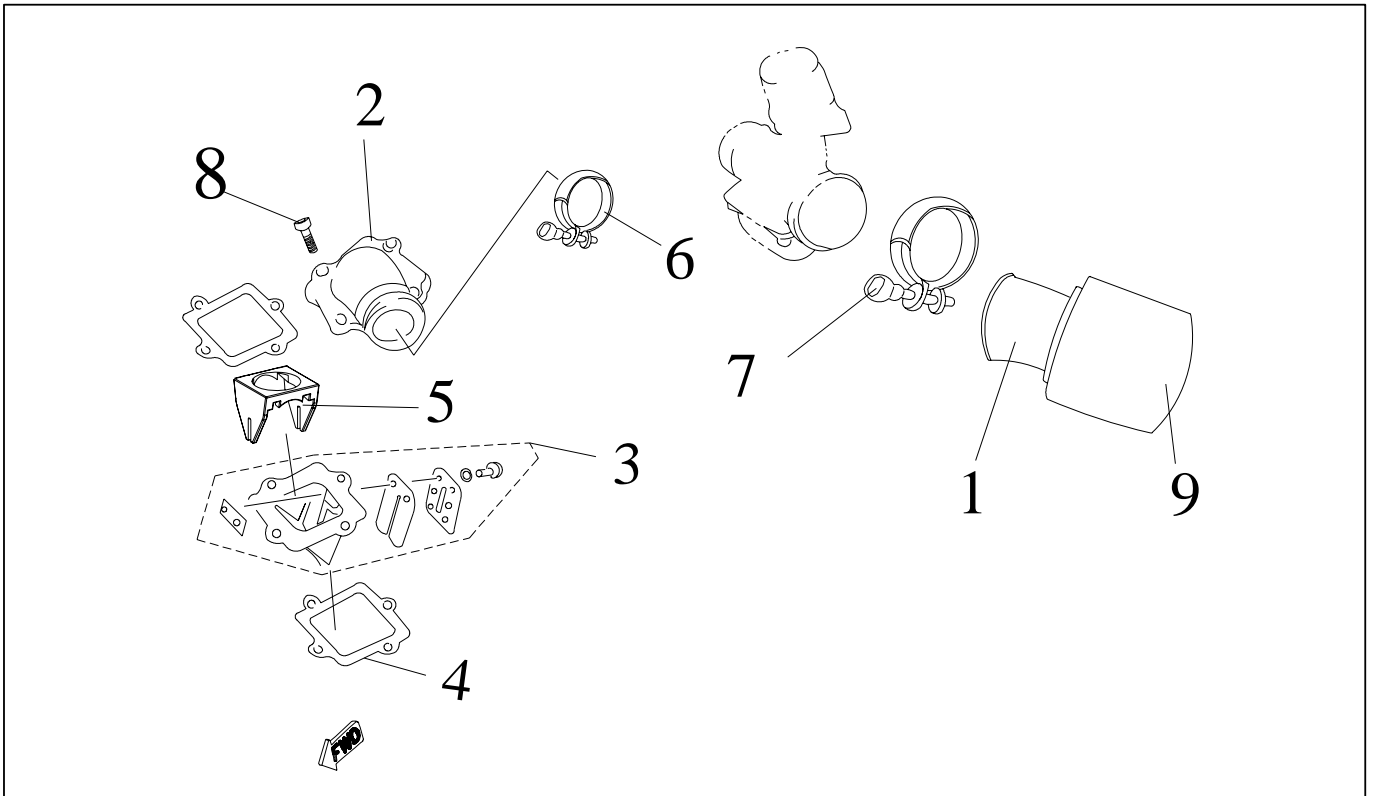
Item	Part Number	Part Name	Spec.	Qt'y
1	13000-A2C4-000	Crankshaft Ass'y	S=42mm	1
2	96200-6204C3	Ball Bearing, Crankshaft	6204C3	2
3	91200-20428	Oil Seal, L. Crank	20x42/43x8/9	1
4	91200-20306	Oil Seal, R. Crank	20x30/33.5x6	1
5	13200-A2C4-00A	Collar	16x21x18	1
6	96110-KBK12	Bearing, Needle	12×15×16.6	1
7	13300-A2D-000	Piston (std.)	52mm	1
8	13400-A2C4-000	Pin, Piston	8x12x40	1
9	13410-A2C4-000	Clip, Piston Pin		2
10	13310-A2D-000	Rings, Piston (std.)	52mm	1
11	13010-A2C4-000	Key, Woodruff	3x13	1
12	90500-RTW42	Circlip	IRTW-42	1

**Pump Ass'y, Liquid**



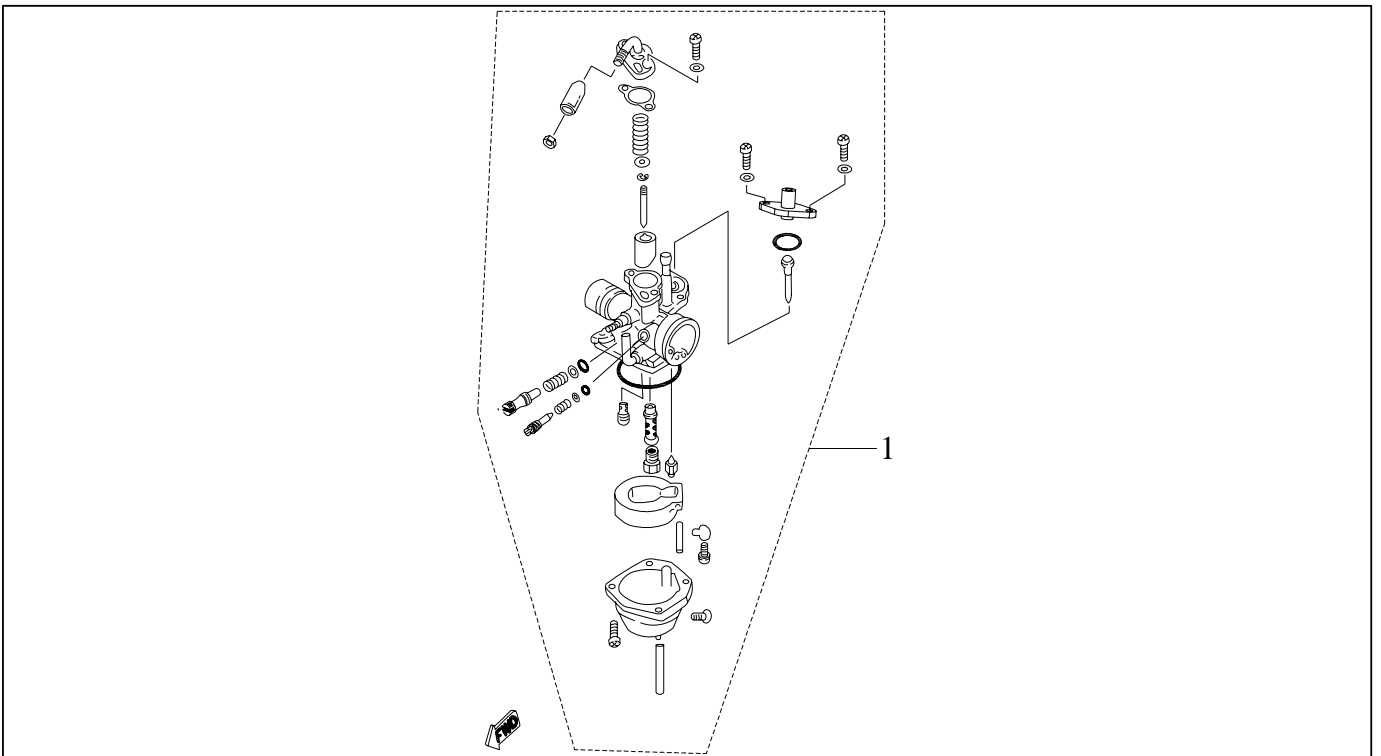
Item	Part Number	Part Name	Spec.	Qt'y
1	90601-S08	Cir. Clip, External	S-8	1
2	15211-A2DL-000	Drive Wheel, Pump		1
3	96220-030198	Pin	3x19.8	1
4	96100-608LLU-C3	Ball, Bearing	608LLU-C3	2
5	15216-A2DL-000	Collar	16*21.8*4.5	1
6	15212-A2DL-000	Body, Pump		1
7	91204-101804	Seal, Oil	10*18*4	1
8	15213-A2DL-000	Rotor Ass'y, Pump		1
9	91300-525020	Ring, Oil	52.0*2.0	1
10	15215-A2DL-000	Cap, Pump		1
11	91000-05020	Hex,Socket Bolt	M5x20	3
12	31130-A2DL-000	Plug, Rubber		3
13	15875-A2DL-000	Bolt, Drive Wheel		3
14	91000-06025	Hex,Socket Bolt	M6x25	2
15	15200-A2DL-000	Pump Ass'y, Liquid		1
16	90426-061310	Washer, Plate	6.5x13x1.0	3
17	15233-162421	Hose B, Liquid	L=210mm	1
18	16411-A2DL-000	Clamp, Hose		2

**Air Cleaner, Reed Valve**



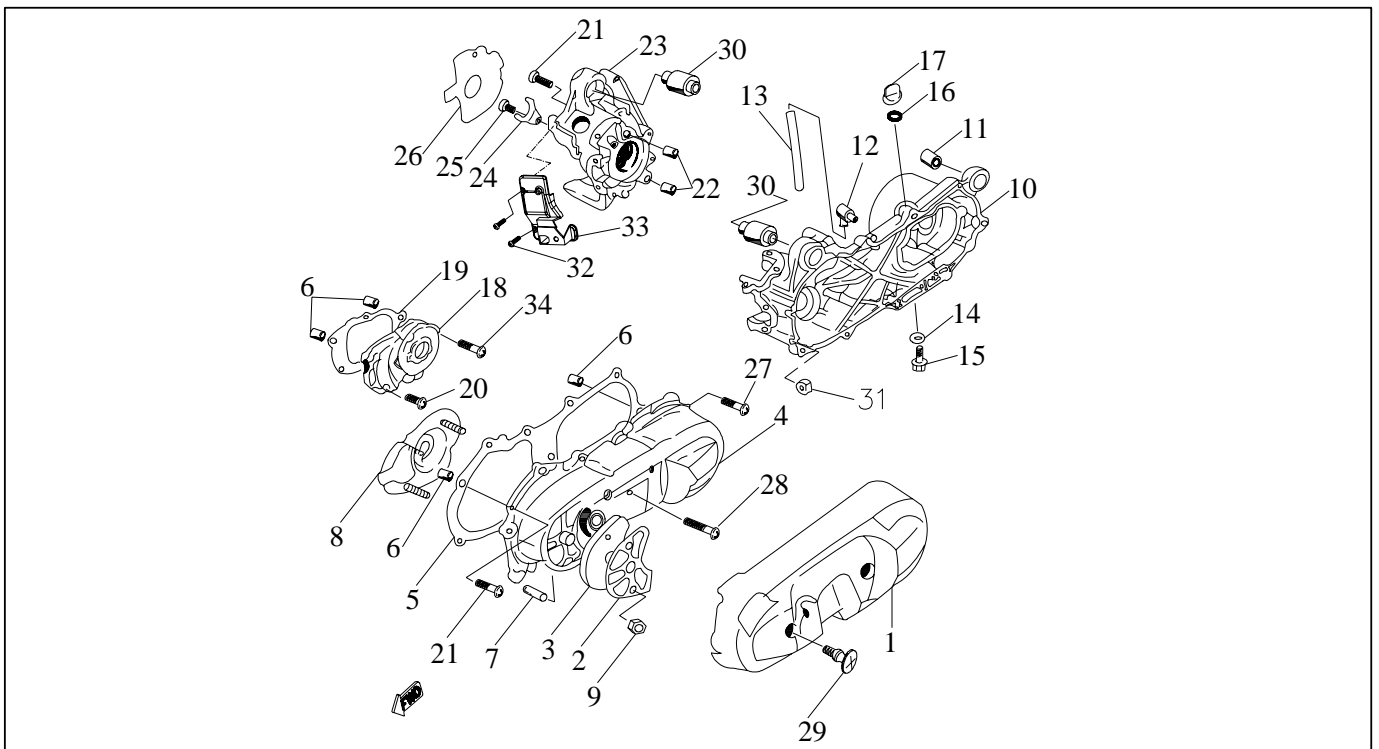
Item	Part No.	Part Name	Spec.	Q'ty
1	17300-A2C4-00D	Air cleaner Ass'y		1
2	16410-A2C4-00B	Manifold, Intake	G-24-1	1
3	14710-A2C4-00A	Reed Valve Ass'y	E-05 加牙套 $\varphi$ 26	1
4	14711-A2C4-000	Gasket, Reed Valve		2
5	14713-A2C4-000	Adaptor	$\varphi$ 26mm	1
6	16411-A2C4-00A	Clamp	1 3/4"	1
7	16411-A2C4-00B	Clamp	2-1/2"	1
8	91000-06020	Hex. Socket Bolt	M6x20	4
9	17330-A2C4-000	Screen		1

**Carburetor**



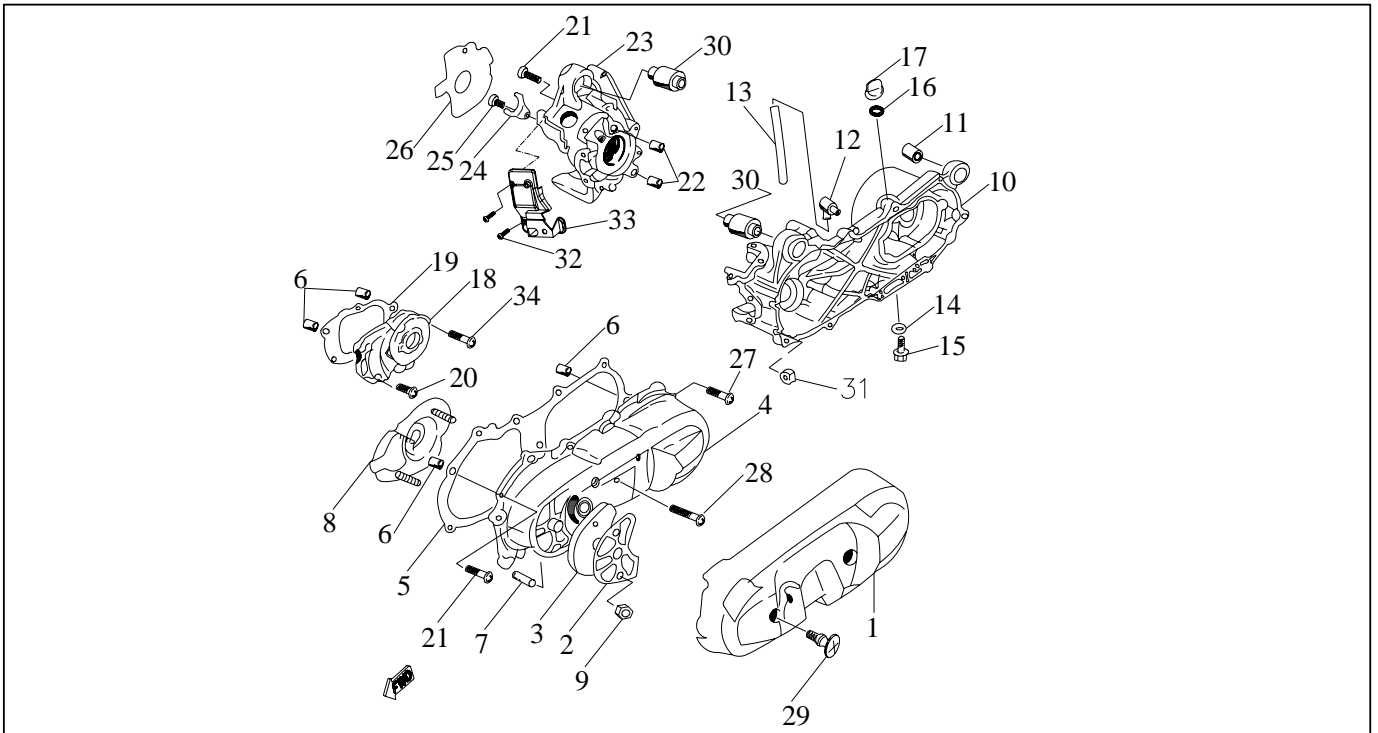
Item	Part No.	Part Name	Spec.	Q'ty
1	16100-A2C4-00A	Carburetor Ass'y (manual chock)	PWK/M.J120#	1

**Crankcase**



Item	Part No.	Part Name	Spec.	Q'ty
1	11341-A2C4-000	Protector, L. Crankcase Cover		1
2	11342-A2C4-000	Guide, Air Filter		1
3	11343-A2C4-000	Filter Element, L. Crankcase		1
4	11340-A2C4-000	Cover, L. Crankcase		1
5	11395-A2C4-000	Gasket, L. Crankcase		1
6	90703-081014	Pin, Dowel	10x14	4
7	11344-A2C4-000	Shaft	8x31	1
8	11345-A2C4-000	Fixed Plate, Filter Element		1
9	94000-06100	Hex. Acorn Washer Face Nut	M6xP1.0	3
10	11200-A2C4-000	Crankcase, L.		1
11	97350-082021	Bush	8x20x21	1
12	11210-A2C4-000	Breather		1
13	11211-A2C4-000	Hose, Breather	5x100	1
14	90442-081515	Washer, Copper	8x15x1.5	1
15	92100-08016	Hex. Washer Face Bolt	M8x16	1
16	91300-138024	O-Ring	13.8x2.4	1

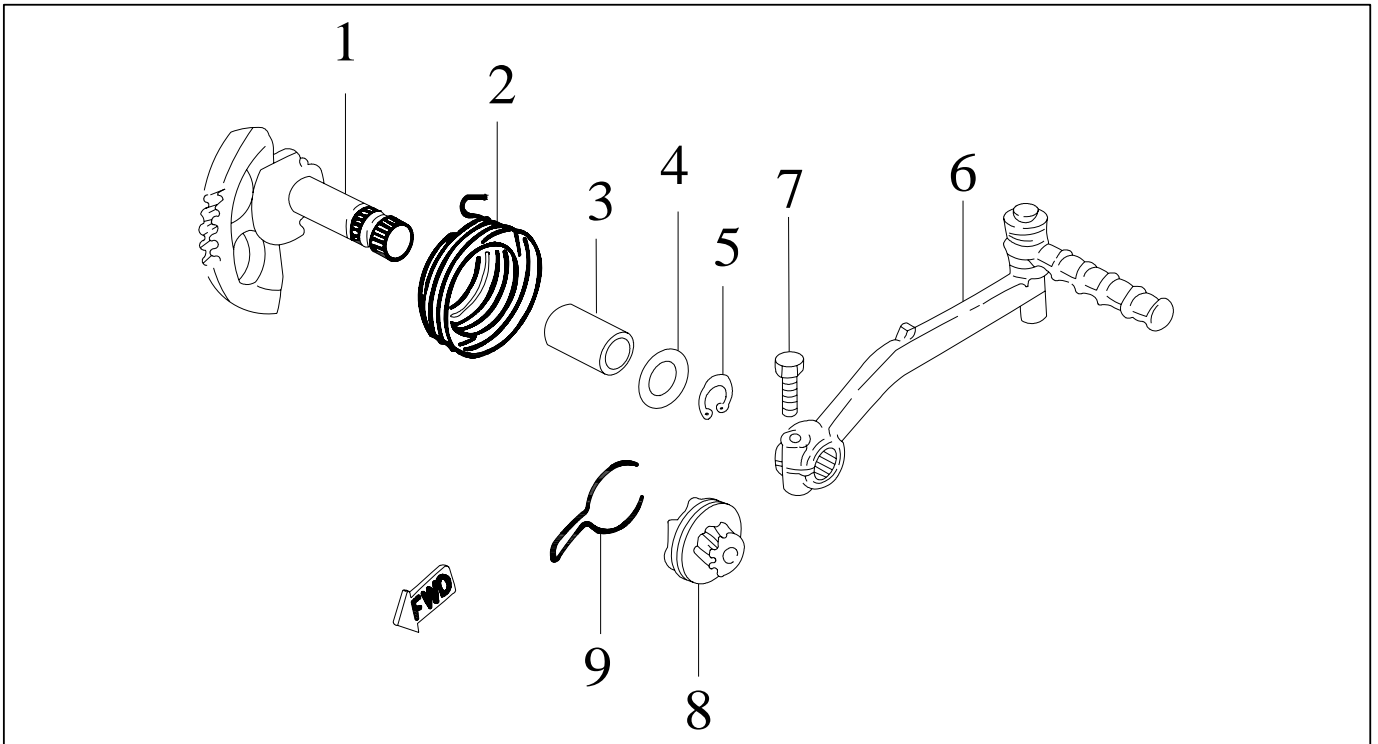
**Crankcase**



Item	Part No.	Part Name	Spec.	Q'ty
17	11212-A2C4-000	Plug, Oil		1
18	11400-A2C4-000	Cover, Transmission		1
19	11410-A2C4-000	Gasket, Transmission		1
20	91000-06025-05BN	Hex,Socket Bolt	M6x25(耐膠)	3
21	91000-06035	Hex,Socket Bolt	M6x35	8
22	90703-101216	Pin, Dowel	12x16	2
23	11100-A2C4-000	Crankcsae, R.		1
24	11110-A2C4-000	Holder		1
25	91000-06010	Hex,Socket Bolt	M6x10	1
26	31121-A2C4-000	Gasket, A.C.G		1
27	91000-06025	Hex,Socket Bolt	M6x25	8
28	91000-06065	Hex,Socket Bolt	M6x65	1
29	11346-A2C4-000	Bolt, Special		2
30	97350-123538	Bush	12x35x38	2
31	17110-A2C4-000	Grommet		2
32	937000-05010	Bolt, Pan Head	M5*P1.0*10	2
33	17211-A2DL-000	Cover, Dust-Proof		1
34	91000-06035-05BN	Hex,Socket Bolt	M6x35(耐膠)	2

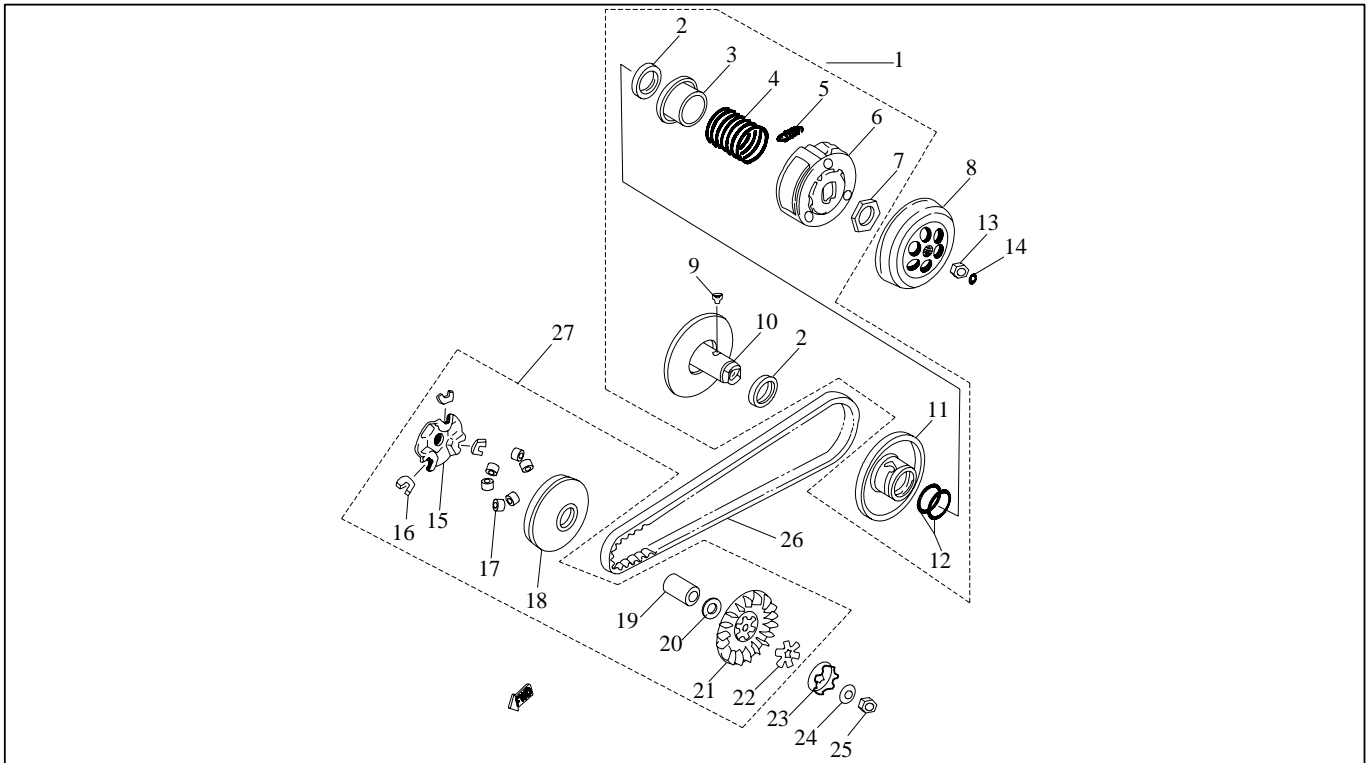


**Starter**



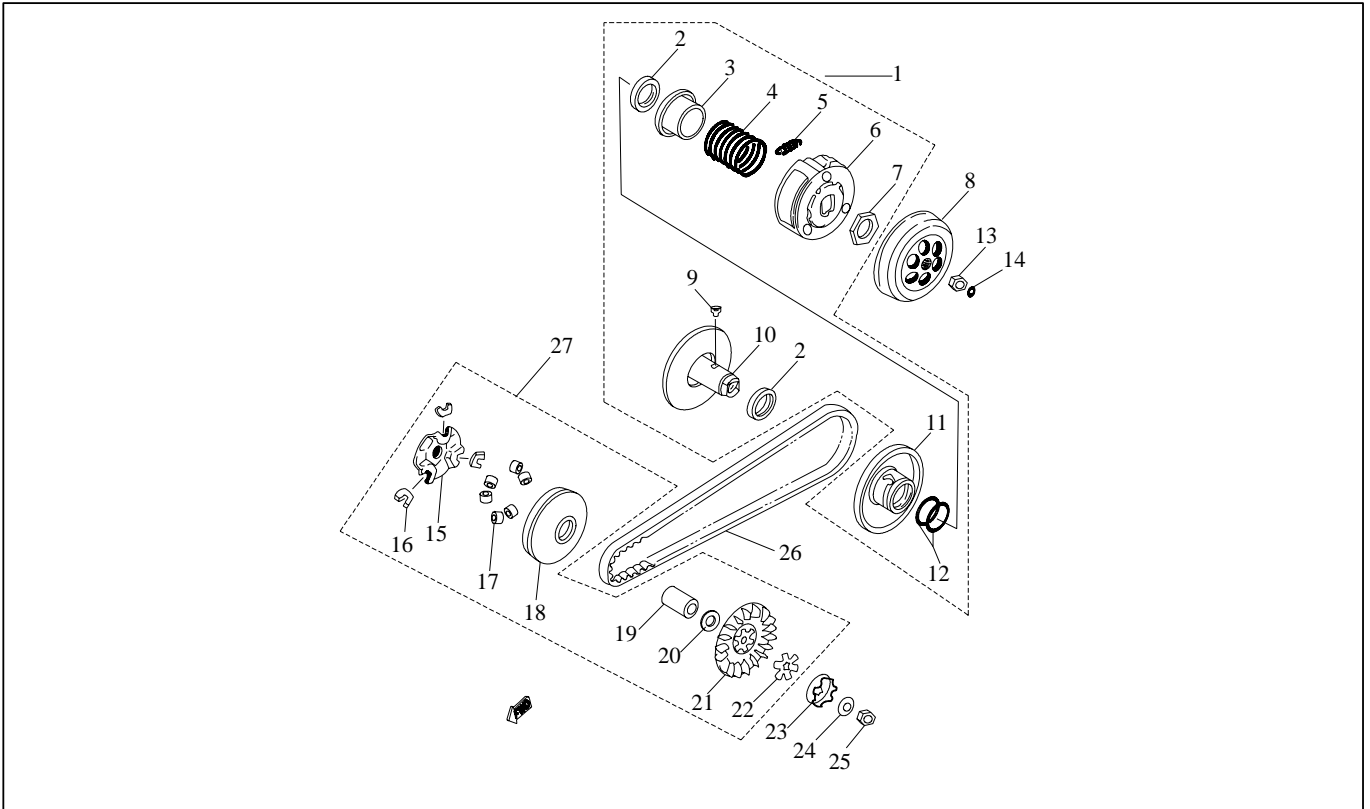
Item	Part No.	Part Name	Spec.	Q'ty
1	28211-A2C4-000	Kick Shaft Ass'y		1
2	28261-A2C4-000	Spring, Torsion		1
3	28251-A2C4-000	Bush, Kick Shaft	15x20x30	1
4	90426-152810	Washer, Plate	15.2x28x1	1
5	90600-STW15	Circlip	STW-15	1
6	28300-A2C4-000	Kick Crank Ass'y	競技型(LBD4)	1
7	92101-06022-07	Hex. Bolt	M6x25	1
8	28221-A2C4-000	Kick Pinion Ass'y		1
9	28222-A2C4-000	Clip, Kick Pinion		1

**Clutch**



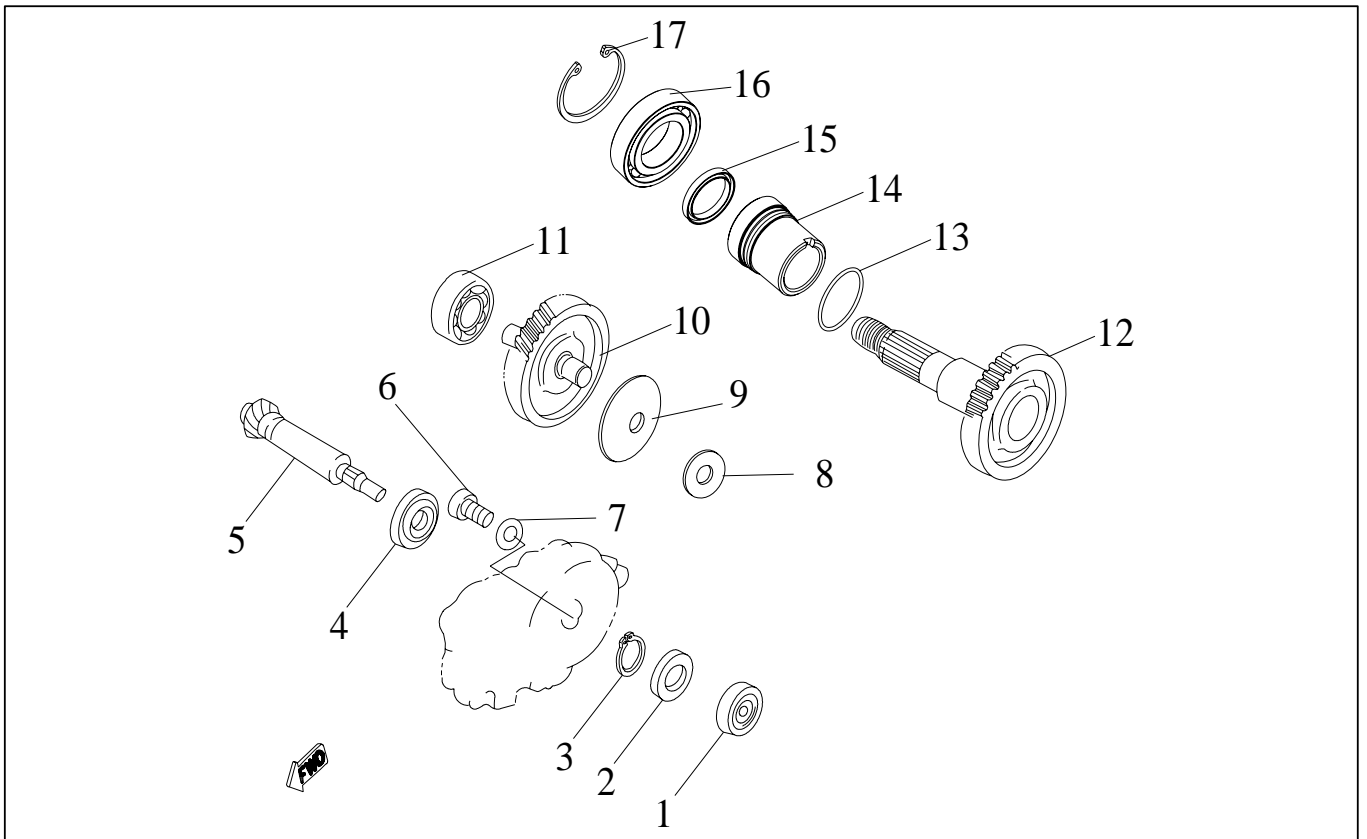
Item	Part No.	Part Name	Spec.	Q'ty
1	22300-A2C4-00A	Secondary Sheave Ass'y		1
2	91200-33394	Seal, Oil		2
3	22311-A2C4-000	Seat, Secondary Spring		1
4	22312-A2C4-00A	Spring, Compression	1500rpm	1
5	22331-A2C4-00A	Spring, Clutch Weight	f2.2x5coils(2000rpm)	3
6	22330-A2C4-00A	Carrier Ass'y, Clutch	450g	1
7	22332-A2C4-000	Nut, Clutch		1
8	22340-A2C4-000	House, Clutch		1
9	22313-A2C4-000	Bearing, Ball		2
10	22310-A2C4-000	Fix Sheave Comp., Secondary		1
11	22320-A2C4-000	Sliding Sheave, Secondary		1
12	91300-360020	Oil-Ring		2
13	22341-10100	Hex. Acorm Nut	M10xP1.0	1
14	91300-125030	O-Ring	6.45x3.1	1
15	22411-A2C4-000	Plate, Cam		1
16	22412-A2C4-000	Slider, Cam Plate		3
17	22413-A2C4-055	Weight	5.5g	6
18	22410-A2C4-00A	Sliding Sheave, Primary		1

Clutch



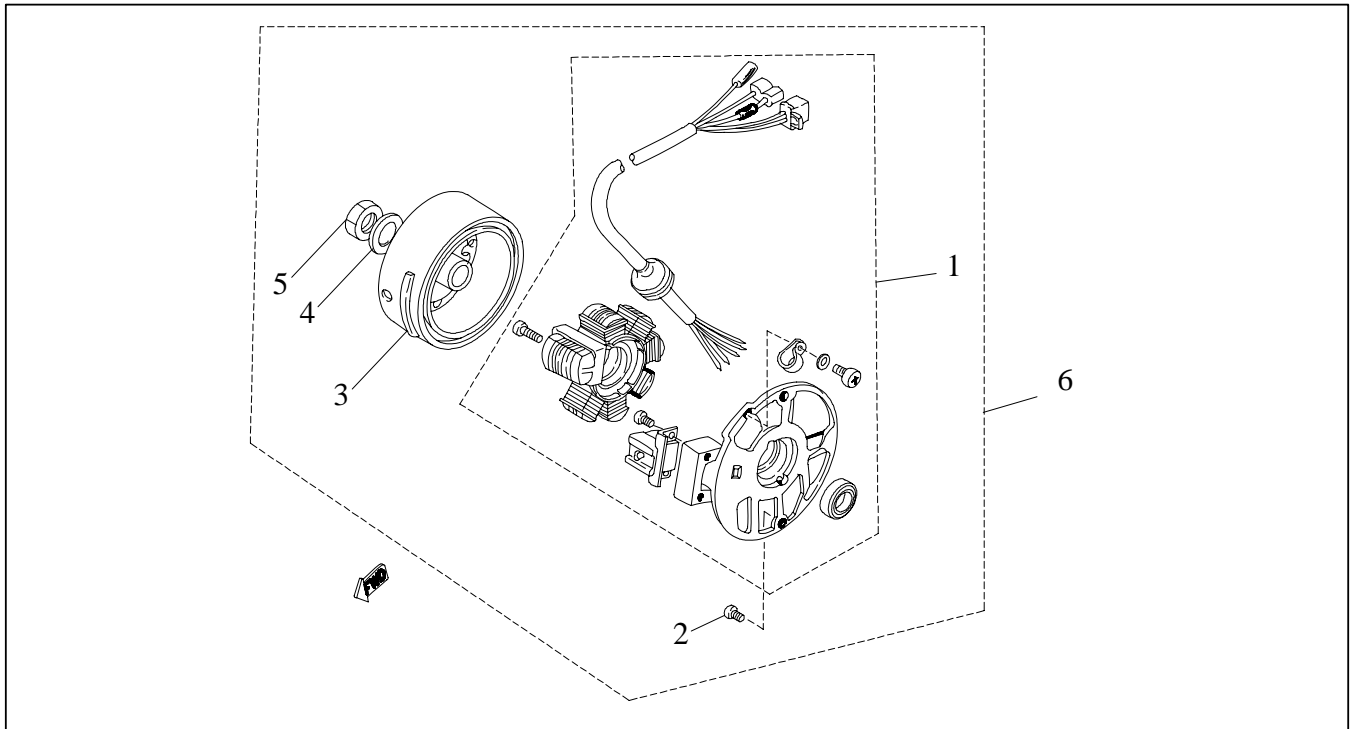
Item	Part No.	Part Name	Spec.	Q'ty
19	22414-A2C4-000	Collar	16x21x37.5	1
20	22415-A2DL-000	Sliding Sheave Washer, Clam	16x21x1	1
21	22420-A2C4-000	Fixed Sheave, Primary		1
22	22421-A2C4-000	Washer, Clam		1
23	22422-A2C4-000	Clutch, Oneway		1
24	94111-102426	Washer, Conical Spring	10.5x24x2.6	1
25	94100-10125	Hex. Acorm Nut	M10xP1.25	1
26	22500-A2C4-000	Belt, Drive	780x16.5x30	1
27	22400-A2C4-00A	Sliding Sheave, Ass'y		1

**Transmission**



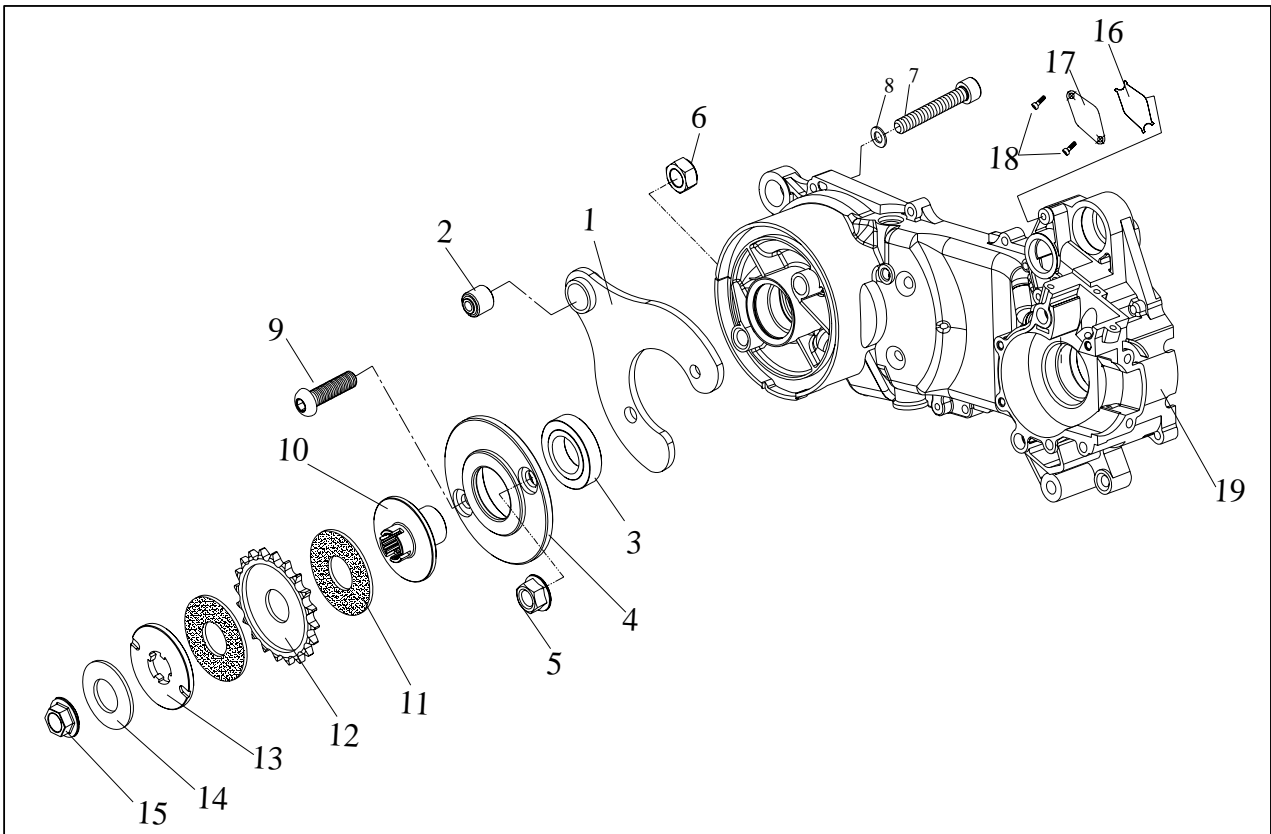
Item	Part No.	Part Name	Spec.	Q'ty
1	96210-638RD	Bearing, Ball	638RD	1
2	91200-172855	Seal, Oil	17x28x5.5	1
3	90500-S17	Circlip	S-17	1
4	96210-6003	Bearing, Ball	6003	1
5	23610-A2C4-000	Drive Gear, Primary	15T	1
6	91000-06010	Hex, Socket Bolt	M6x10	1
7	90426-061912	Washer, Plate	6.5x19x1.2	1
8	90426-122510	Washer, Plate	12x25x1.0	1
9	94111-126005	Washer, Conical Spring	12.3x60x0.5	1
10	23620-A2C4-000	Main Axle Comp.	11/47T	1
11	96210-6201	Bearing, Ball	6201	1
12	23630-A2C4-000	Gear, Driven	31T	1
13	91300-032018	O-Ring	32x1.8	1
14	11350-A2DL-000	Copper Bushing		1
15	91200-253240	Seal, Oil	25x32x4	1
16	96210-6004LU	Bearing, Ball	6004LU	1
17	90500-RTW42	Circlip	RTW-42	1

**Generator**



Item	Part No.	Part Name	Spec.	Q'ty
1	31120-A2C4-00A	Base Ass'y, Generator		1
2	91000-06015	Hex,Socket Bolt	M6x15	2
3	31100-A2C4-000	Wheel, Fly		1
4	90426-122216	Washer, Plate	12x22x1.6	1
5	94100-12125	Hex. Acorm Nut	M12xP1.25	1
6	31000-A2C4-00A	Generator Ass'y	旋轉	1

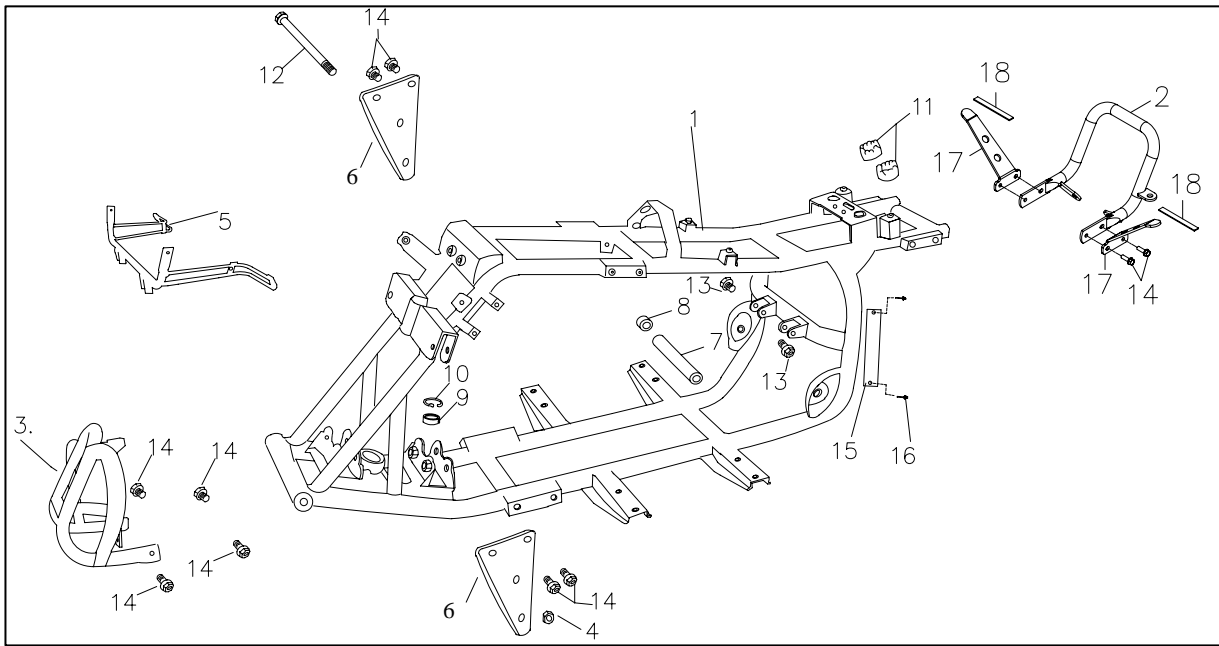
**Crankcase Bracket**



Item	Part No.	Part Name	Spec.	Q'ty
1	11347-A2C4-00A	Bracket, Crankcase	(2次加工)	1
2	97350-082021	Bush	8x20x21	1
3	96210-6028	Bearing, Ball	#60/28	1
4	11349-A2DL-00A	Gear Holder		1
5	94001-10A14-08	Nut, Hex. Acorn Washer Face	M10xP1.25	1
6	NU-12019-C	Nut, Insert Lock	M12xP1.75	1
7	91000-10060-28L	Hex, Socket Bolt	M10x60	1
8	90442-101515	Washer, Copper	10.2*15*1.5	1
9	PZB340-120450-0C	Hex, Socket Bolt	M12x45	1
10	23804-A2B-A000	Sprocket Holder	18T	1
11	23805-A2B-000	Brake Pad		2
12	23801-A2B-00C1	Sprocket	20T	1
13	23802-A2B-000	Friction Plate		1
14	DB-25	Spring Washer	25*50.8*4	1
15	94053-14019-48	Nut	M14xP1.5	1
16	31210-A2DL-000	Gasket, fixed Plate		1
17	31211-A2C4-000	Plate, Fixed		1
18	91000-06010	Hex. Socket Bolt	M6x10	2
19	11200-A2C4-000	Crankcase, L.		1

**APEX Motor Corp.,**  
**Parts List-Chassis**  
**(MXR-2008)**

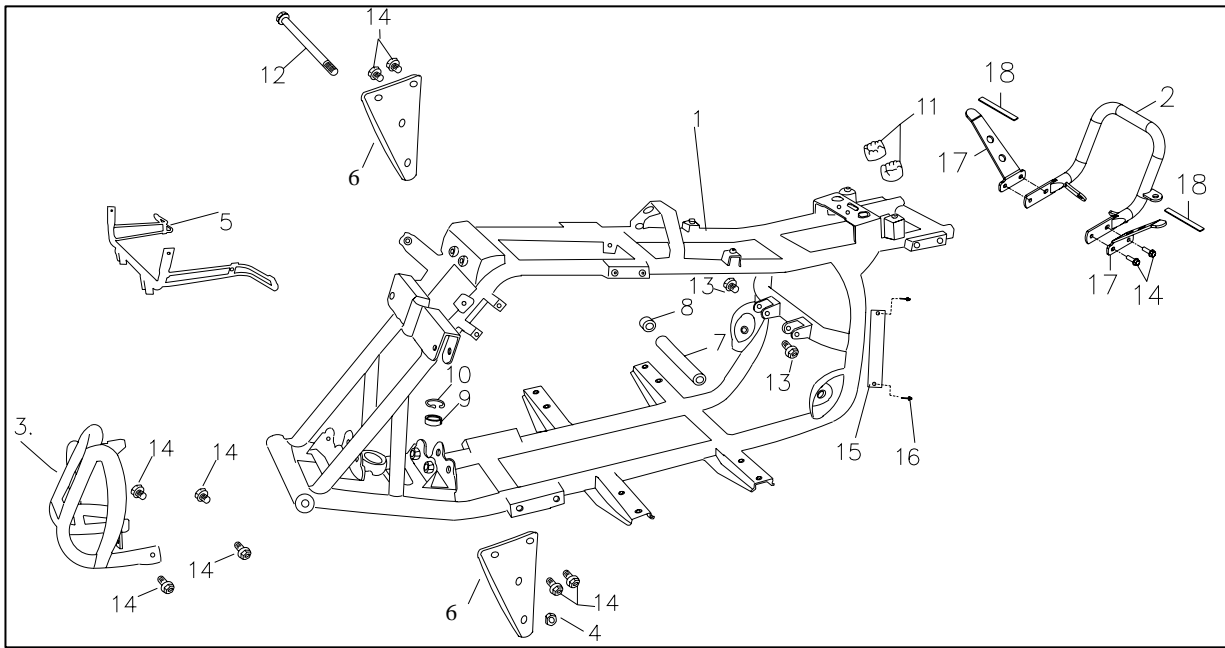
**F-1 Frame Body, Foot Brake**



Item	Part No.	Part Name	Spec.	Q'ty
1	50100-7A1-000-SI	Frame Body	SILVER	1
	50100-7A1-000-RE	Frame Body	RED	1
	50100-7A1-000-BK	Frame Body	BLACK	1
2	50400-7A1-000-SI	Rear Carrier	AL, SILVER	1
	50400-7A1-000-RE	Rear Carrier	AL, RED	1
	50400-7A1-000-BK	Rear Carrier	AL, BLACK	1
3	50200-3AR-SIE	Bumper	AL, SILVER	1
	50200-3AR-REE	Bumper	AL, RED	1
	50200-3AR-BKE	Bumper	AL, BLACK	1
	50200-3AR-BLE	Bumper	AL, BLUE	1
4	90350U-12017	Nut, Flange Insert Lock	M12xP1.25	1
5	50710-3AR-SIB	Bracket, Fender	SILVER	1
	50710-3AR-REB	Bracket, Fender	RED	1
	50710-3AR-BKB	Bracket, Fender	BLACK	1
6	50110-3AR-000	Mounting Plate, Engine		2
7	50150-1317103	Spacer, Crankcase	12.5x17x103	1
8	50150-1322020	Spacer, Crankcase	12.5x22x20	1
9	96140-6002ZZ	Bearing, Ball	6002ZZ	2
10	94520-32000	Clip, Cir.	RTW-32	1
11	50524-3AR-000	Rubber Absorber, Seat	13x37x23	2
12	95701-12222	Bolt ,Hex. Flange	M12x222	1
13	95801-08038-07	Bolt ,Hex. Flange	M8x38	2
14	95701-08012-07	Bolt ,Hex. Flange	M8x12	11

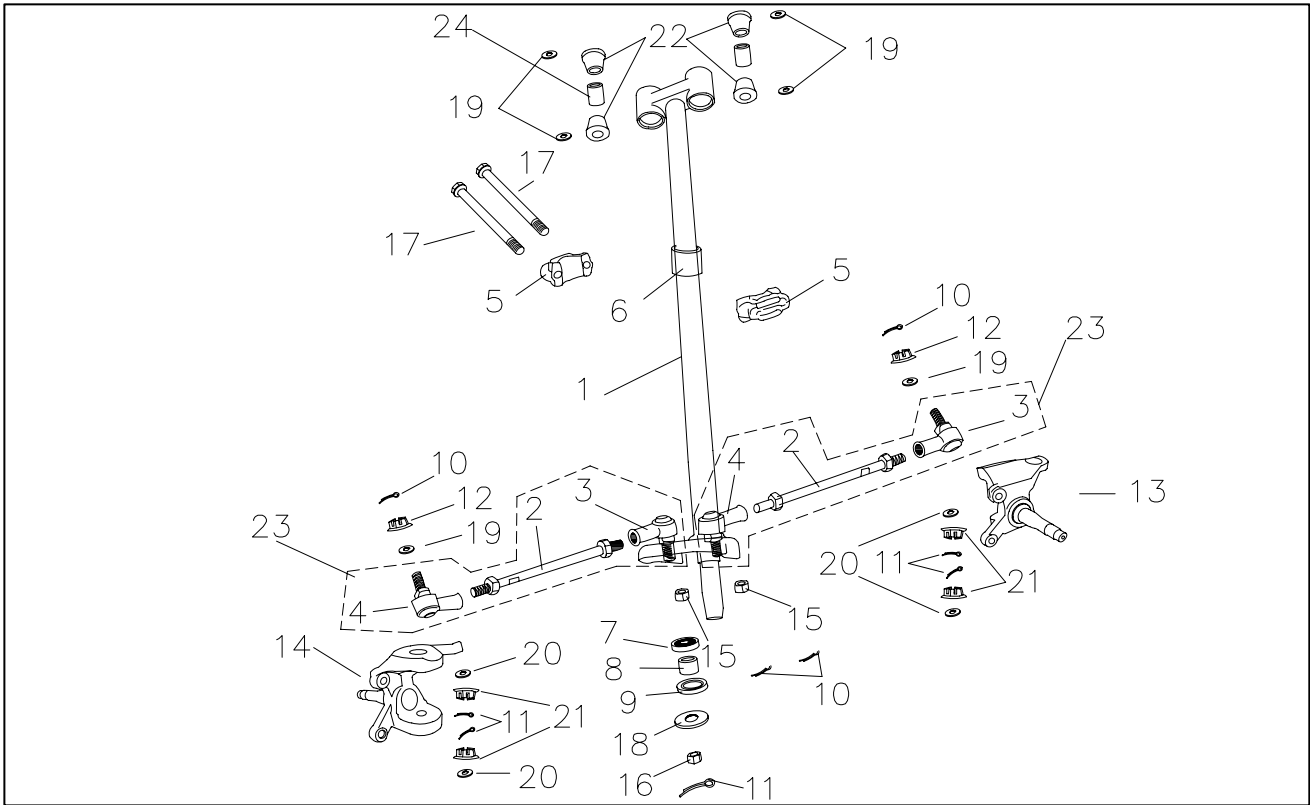


**F-1-3 Frame Body, Foot Brake**



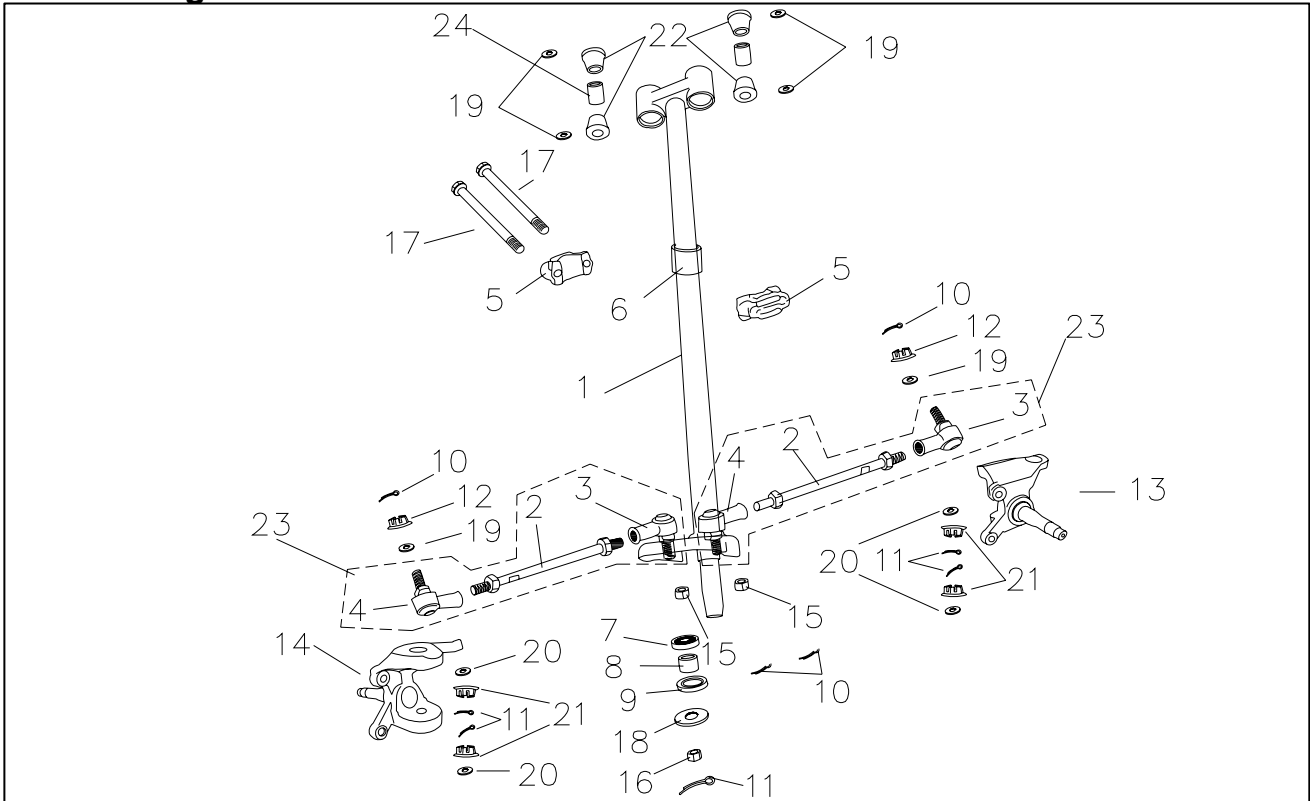
Item	Part No.	Part Name	Spec.	Q'ty
15	19140-3AR-10E	VIN Plate	100cc	1
	19140-3AR-90E	VIN Plate	90cc	1
16	96202-0312	Nail		2
17	50500-7A1-000	Bracket, Grab Bar	AL,	2
18	50501-7A1-000	Rubber, Damper	100*15*7t	2

**F-2 Steering**



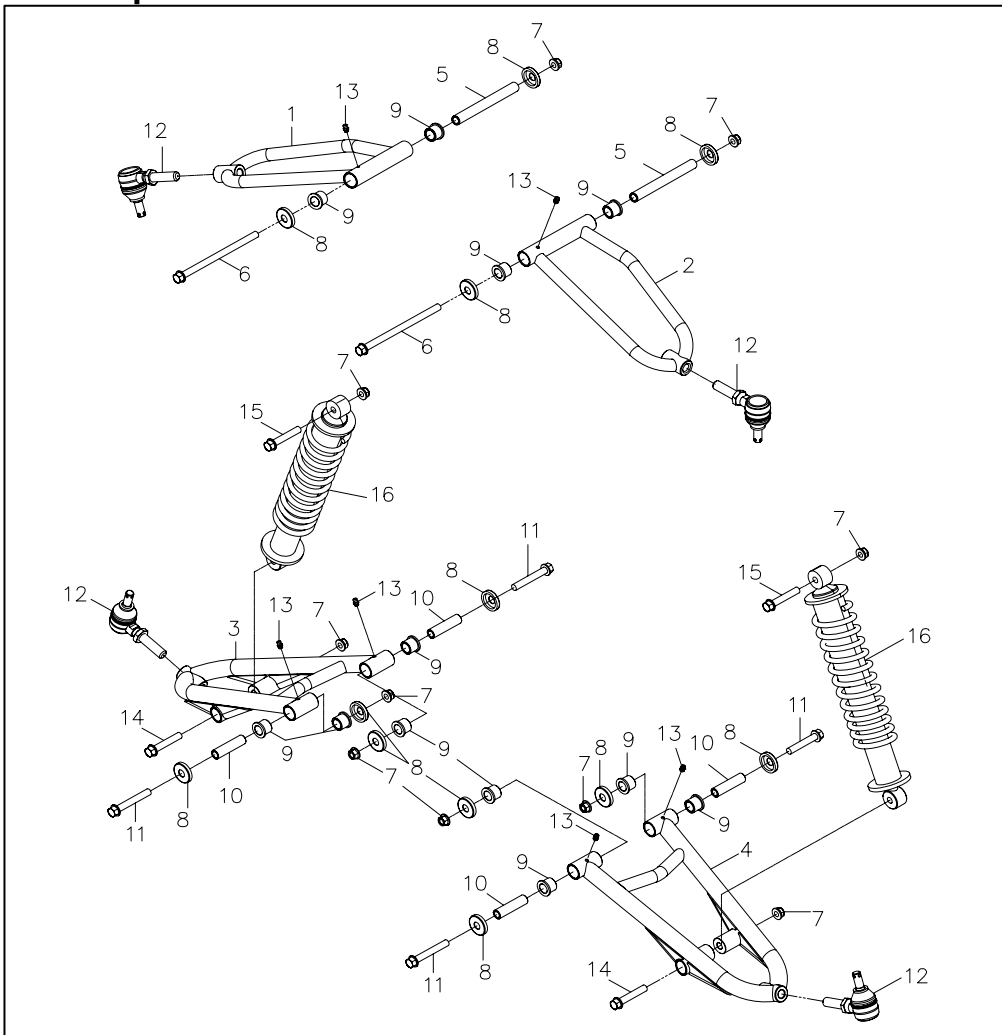
Item	Part No.	Part Name	Spec.	Q'ty
1	53200-3AR-SIB	Steering Shaft	SILVER	1
	53200-3AR-REB	Steering Shaft	RED	1
	53200-3AR-BKB	Steering Shaft	BLACK	1
2	54120-3AR-00A	Tie Rod	290mm	2
3	54121-3AR-000	R.H. Joint, Universal		2
4	54122-3AR-000	L.H. Joint, Universal		2
5	53330-3AR-000	Holder, Steering Shaft		2
6	53210-3AR-000	PU Seal, Steering		1
7	91258-183207	Seal, Oil	18x32x7	1
8	50150-1522015	Spacer, Inner	15x22x15	1
9	91258-223507	Seal, Oil	22x35x7	1
10	94201-25201	Cotter Pin	2.5x201	4
11	94201-32320	Cotter Pin	3.2x320	5

**F-2 Steering**



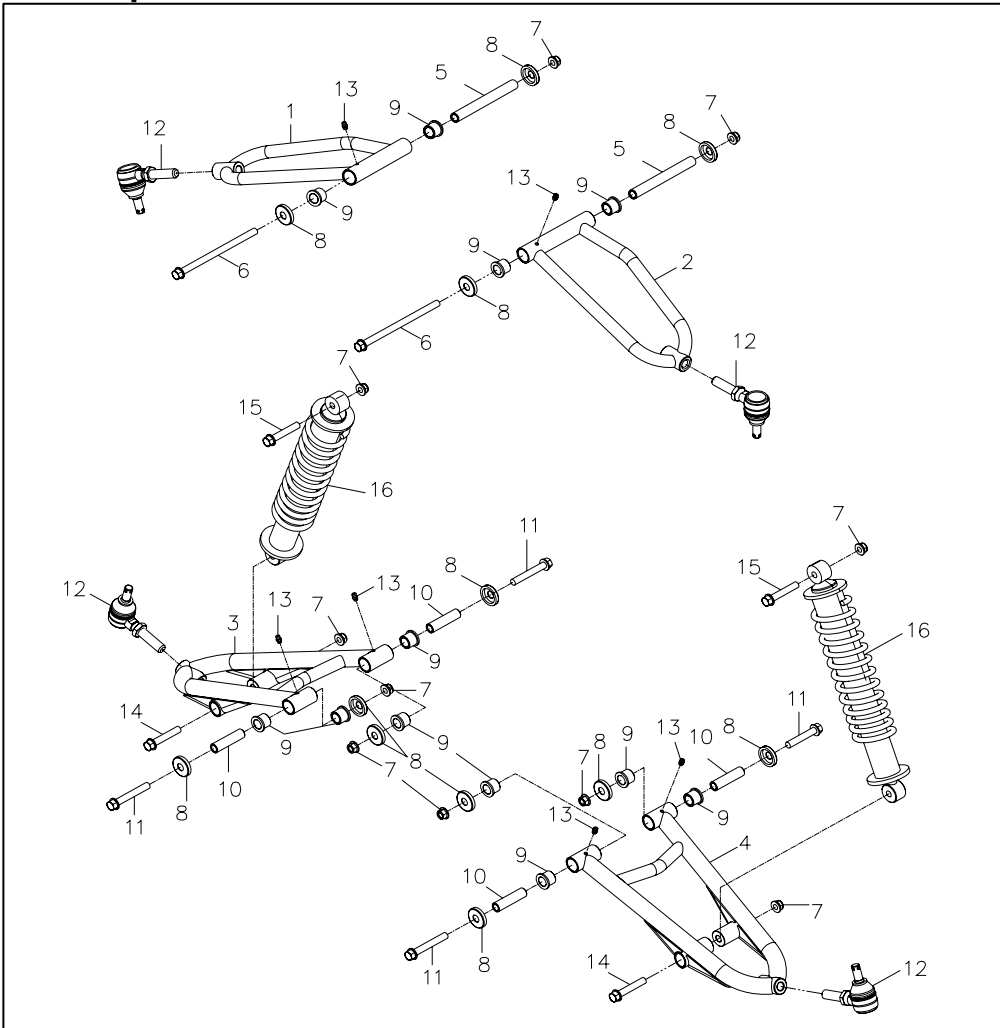
Item	Part No.	Part Name	Spec.	Q'ty
12	90351-10080-18	Nut, Castle	M10×P1.25	2
13	54150-3AR-00B	R. Knuckle	Disc Brake	1
14	54250-3AR-00B	L. Knuckle	Disc Brake	1
15	90350U-10014	Nut, Flange Insert Lock	M10×P1.25	2
16	90350U-14000	Nut, Flange Insert Lock	M14×P1.5	1
17	95801-08066-97	Bolt ,Hex. Flange	M8×66	2
18	94101-1440020K	Washer, Plate	14x40x2.0	1
19	94101-102210-10	Washer, Plate	10*22*1.0	6
20	94101-1225020	Washer, Plate	M12*25*2	4
21	90351-12000K	Nut, Castle	M12*1.25	4
22	53333-AMCO-000	Rubber Absorber		4
23	54110-3AR-290	Tie Rod Ass'y		2
24	53230-3AR-000	Spacer	10*12.5*42L	2

### F-3 Suspension Arm



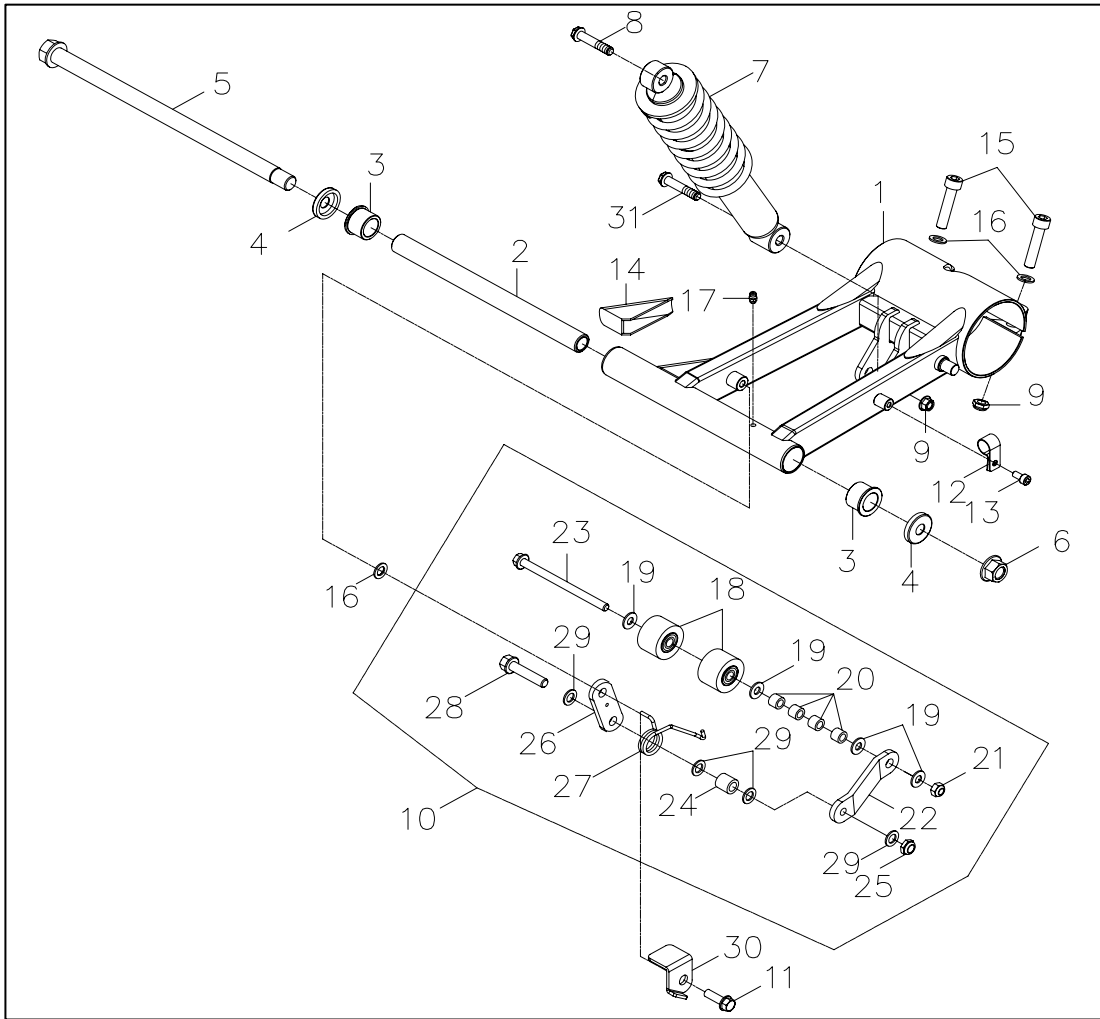
Item	Part No.	Part Name	Spec.	Q'ty
1	54300-7A1-000-SI	Upper R. Arm, Suspension	SILVER	1
	54300-7A1-000-RE	Upper R. Arm, Suspension	RED	1
	54300-7A1-000-BK	Upper R. Arm, Suspension	BLACK	1
2	54400-7A1-000-SI	Upper L. Arrn, Suspension	SILVER	1
	54400-7A1-000-RE	Upper L. Arrn, Suspension	RED	1
	54400-7A1-000-BK	Upper L. Arrn, Suspension	BLACK	1
3	54500-7A1-000-SI	Bottom R. Arm, Suspension	SILVER	1
	54500-7A1-000-RE	Bottom R. Arm, Suspension	RED	1
	54500-7A1-000-BK	Bottom R. Arm, Suspension	BLACK	1
4	54600-7A1-000-SI	Bottom L. Arrn, Suspension	SILVER	1
	54600-7A1-000-RE	Bottom L. Arrn, Suspension	RED	1
	54600-7A1-000-BK	Bottom L. Arrn, Suspension	BLACK	1
5	54330-7A1-000	Spacer A, Suspension Arm	10.2x15x142	2
6	95801-10162-14G	Bolt ,Hex. Flange	M10x162L	2
7	90350U-10014	Nut, Flange Insert Lock	M10xP1.25	10

**F-3 Suspension Arm**



Item	Part No.	Part Name	Spec.	Q'ty
8	52310-OS-3495	Seal, Dustproof		12
9	54350-3AR-000	Bush, Suspension Arm		12
10	54340-7A1-000	Spacer B, Suspension Arm	10.2×15×53.5	4
11	95911-10075-OG	Bolt ,Hex. Flange	M10×75	4
12	54360-3AR-000	Joint, Ball		4
13	96201-10000-18	Nipple		6
14	91000-10065	Bolt ,Hex. Flange	M10×65	2
15	95801-10042-97K	Bolt, Hex. Flange	M10x42	2
16	51400-7A1-000	Shock Absorber, Front	adjustable,370.5mm	2

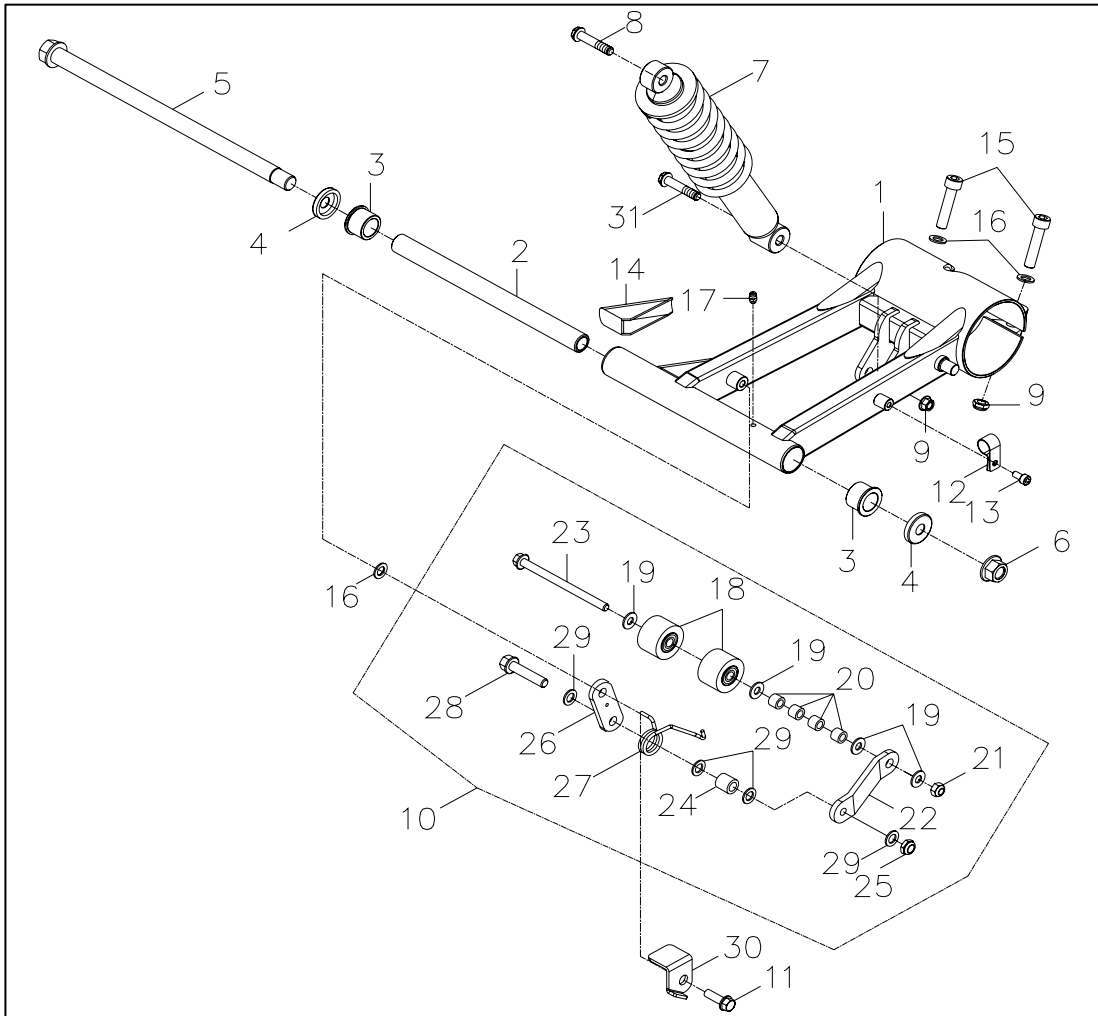
**F-4 Swing Arm**



Item	Part No.	Part Name	Spec.	Q'ty
1	52200-7A1-000-SI	Arm, Swing	SILVER	1
	52200-7A1-000-RE	Arm, Swing	RED	1
	52200-7A1-000-BK	Arm, Swing	BLACK	1
2	52210-3AR-000	Spacer, Swing Arm	14.1x20x253	1
3	52220-3AR-000	Bush, Swing Arm	20.1x27.6x20	2
4	52310-OS-8234	Seal, Dustproof	30.8x38.5x7x14	2
5	95802-14290	Bolt ,Hex. Flange	M14x290	1
6	90350U-14000	Nut, Flange Insert Lock	M14*P1.5	1
7	52400-7A1-000	Shock Absorber, Rear	adjustable,355.6mm	1
8	95801-10035-9GL	Bolt, Hex. Flange	M10x35	1
9	90350U-10014	Nut, Flange Insert Lock	M10xP1.25	3
10	A40500-AMC0-000	Tensioner Ass'y		1
11	95701-10020-9G	Bolt ,Hex. Flange	M10*1.25*20L	1
12	47211-7A1-000	Clamp, Hose		1
13	91000-06010-07	Bolt, Hex. Socket	M6x10	1

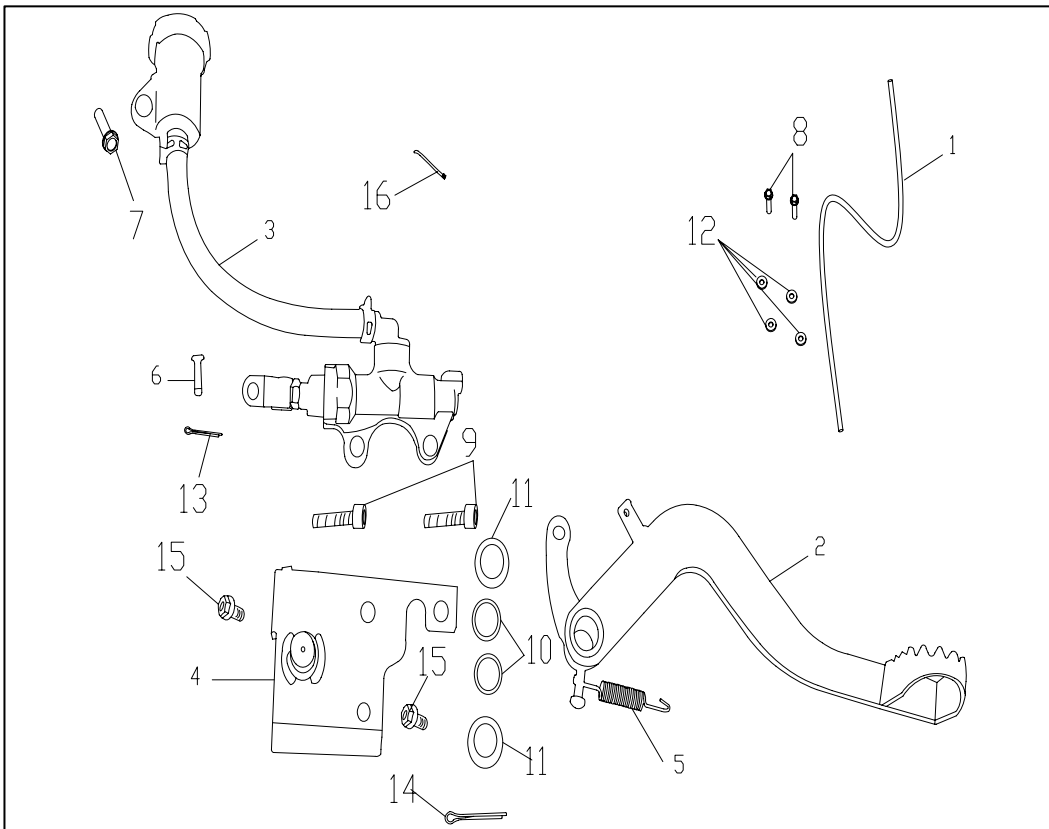
## F-4 Swing Arm

MXR 90 - 2008 bis 2010.



Item	Part No.	Part Name	Spec.	Q'ty
14	52320-3AR-000	Rubber Sleeve	31.7x38x65	1
15	91000-10080-08B	Bolt, Hex. Socket	M10x1.25x80L	2
16	94101-10022-20B	Washer, Plate	10x22x2.0	3
17	96201-10000-18	Nipple		1
18	40531-AMCO-A00	Roller		2
19	90426-081816	Washer, Plate		4
20	50150-001110	Spacer, 1		4
21	NN-08013-B	Nut, Hex Lock	M8*1.25P	1
22	40510-AMCO-000	Swing Arm, Tensioner		1
23	92100-08115-12B	Bolt ,Hex. Flange	M8*1.25P	1
24	50150-101616	Spacer, 2		1
25	NN-10017-B	Nut, Hex Lock	M10*1.25P	1
26	40520-AMCO-000	Plate, Fixed		1
27	47127-AMCO-000	Spring		1
28	92100-10045-14B	Bolt ,Hex. Flange	M10*1.25P	1
29	90426-101715	Washer, Plate		4
30	40500-7A1-000			1
31	96000-10048	Bolt, Hex. Flange	M10x48	1

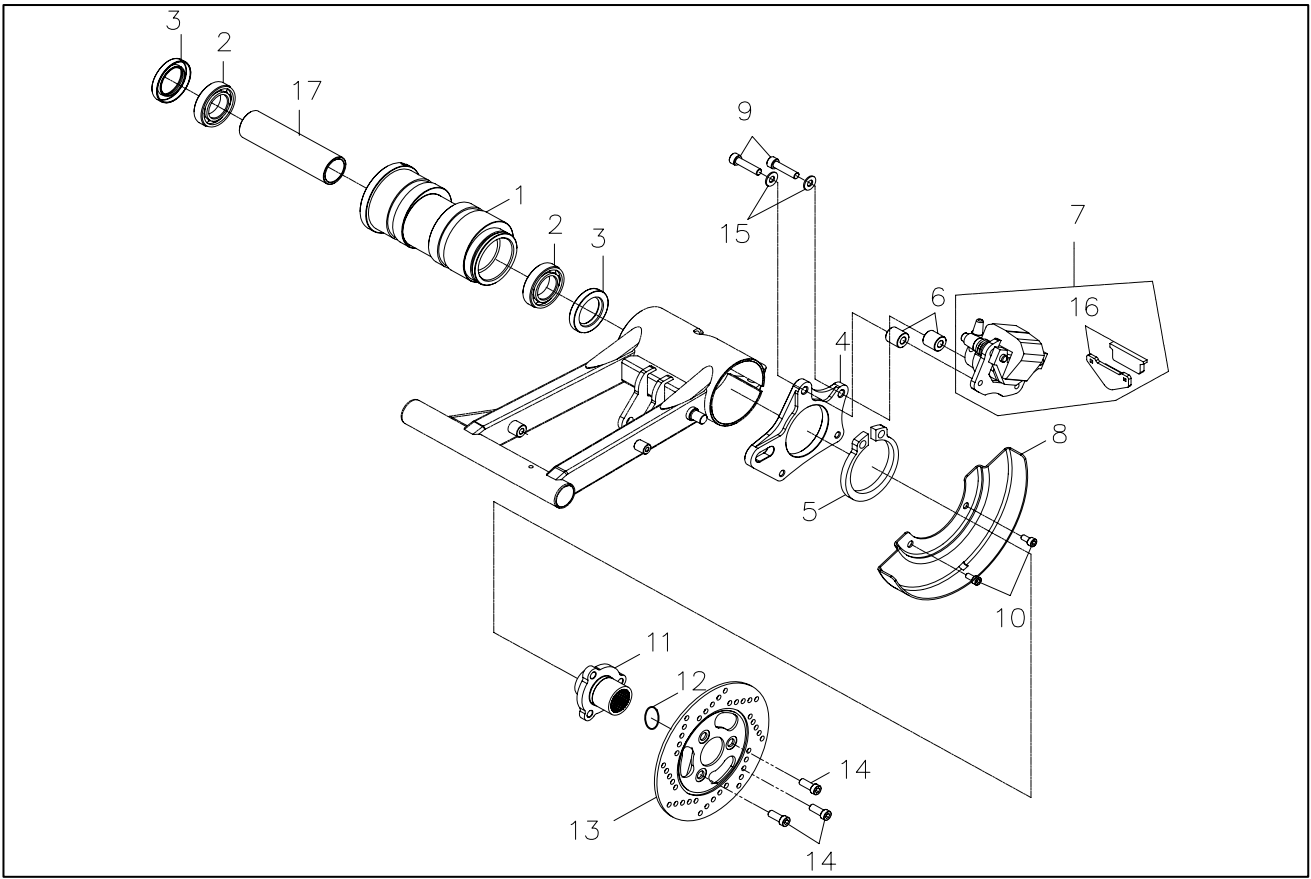
**F-5 Rear Disc, Pedal Brake**



Item	Part No.	Part Name	Spec.	Q'ty
1	45127-7A1-000	Hose, Foot Brake	760 , Stainless	1
2	45530-3AR-00A	Pedal, Brake	SILVER	1
	45530-3AR-REA	Pedal, Brake	RED	1
	45530-3AR-BKA	Pedal, Brake	BLACK	1
3	45520-5BM-000	Master Cylinder Ass'y, Foot Brake	Pedal Brake	1
4	45540-3AR-00A	Bracket, Foot Brake	SILVER	1
	45540-3AR-REA	Bracket, Foot Brake	RED	1
	45540-3AR-BKA	Bracket, Foot Brake	BLACK	1
5	45542-3AR-000	Spring, Foot Brake	1.3*9*70	1
6	74001-07020-00	Pin, Foot brake Master Cylinder		1
7	90005-06012-17	Bolt, Flate	M6*12	1
8	90145-MS9-6110-M	Bolt, Brake Hose	M10x22	2
9	91000-06025	Bolt, Hex. Socket	M6x25	2
10	91300-016020	Ring, Oil	9x13x20	2
11	94101-162410-K8	Washer, Plate	16*24*1	2
12	94104-10140-CU	Washe, Copper	10.2x14x1.0	4
13	94201-16190	Cotter Pin	1.6x19	1
14	94201-32320	Cotter Pin	3.2x320	1
15	95701-08012-07	Bolt ,Hex. Flange	M8x12	2
16	89020-3AR-000	Strap	ALT-200MM	2

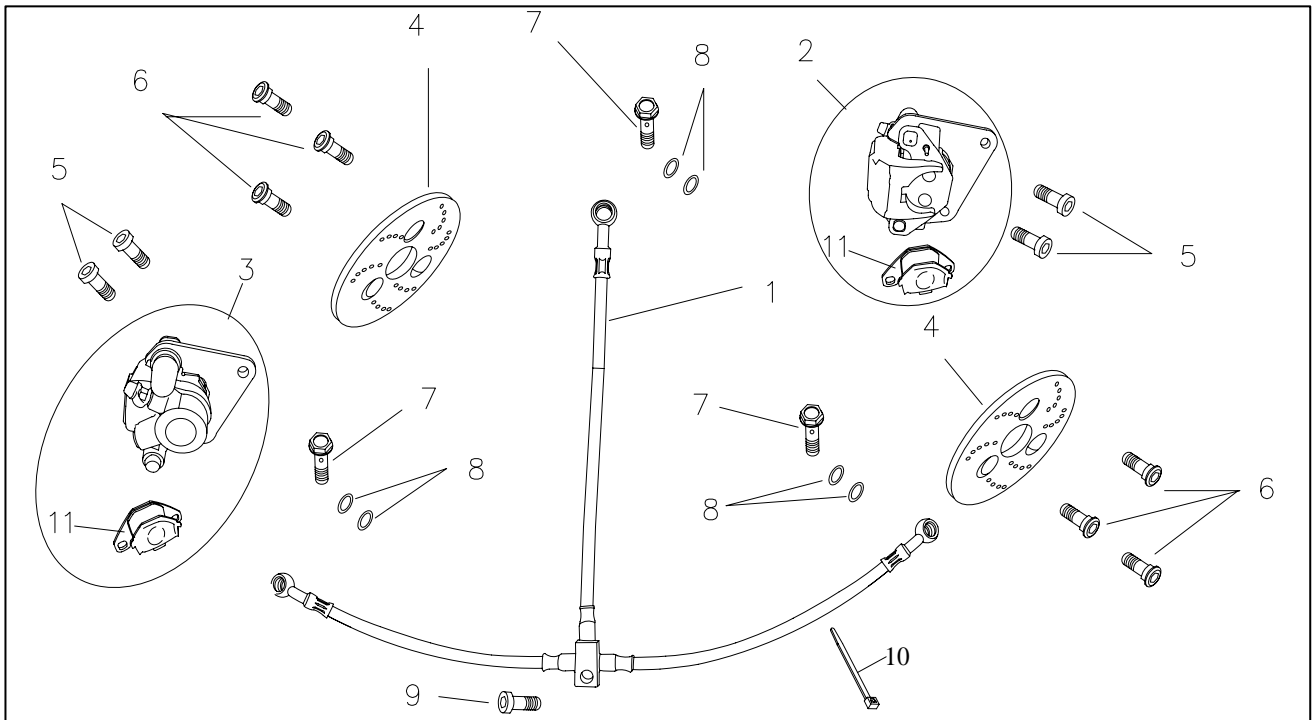


**F-6 Bearing Housing-Swing Arm**



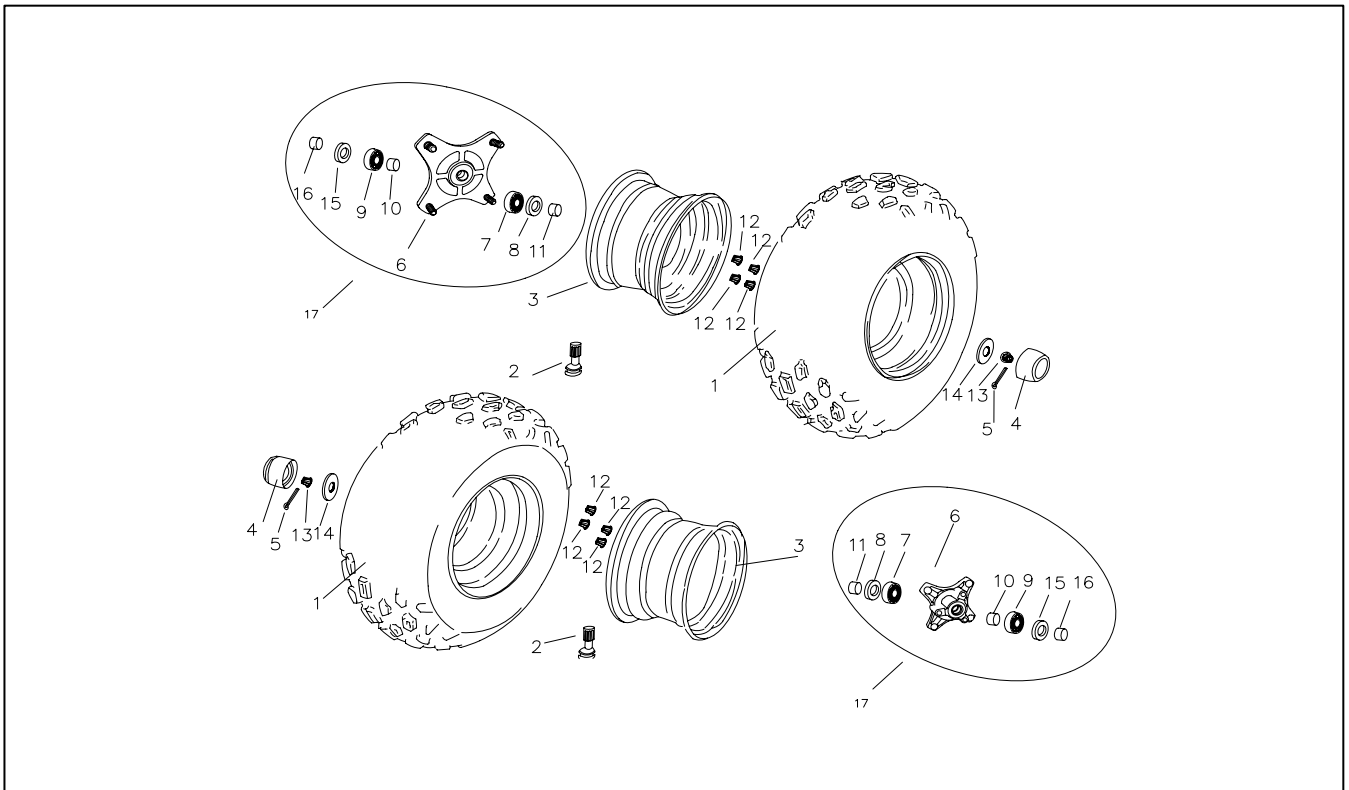
Item	Part No.	Part Name	Spec.	Q'ty
1	42636-7A1-000	Housing, Rear Axle Bearing		1
2	96140-6006ZZ	Bearing, Ball	6006ZZ	2
3	91258-355508	Seal, Oil	35x55x8	2
4	45290-7A1-000	Bracket, Caliper		1
5	94510-STW-68		STW-68	1
6	50150-0819-16B	spacer, Caliper Ass'y	8*19*16L	2
7	45250-7A1-A00	Caliper Ass'y, Rear Brake		1
8	45122-7A1-000		SILVER	1
	45122-7A1-000-RE		RED	1
	45122-7A1-000-BK		BLACK	1
9	91000-08035-06G	Bolt, Hex. Socket	M8x35	2
10	95701-08016-08	Bolt ,Hex. Flange	M8*16	2
11	42625-3AR-000	Bracket, Rear Brake Disc	P62x38	1
12	42340-3AR-000	Ring,Axle		1
13	45121-3AR-000	Disc, Rear Brake	180x38x62	1
14	91000-10014-97K	Bolt, Hex. Socket	M10x14	3
15	94101-08518-23B	Washer, Plate	8x17x2.3	2
16	47235-3AR-000	Pad Kit, Rear Disc Brake		1
17	50150-3136-136B	Spacer	31*36*136	1

**F-7 Front Disc Brake**



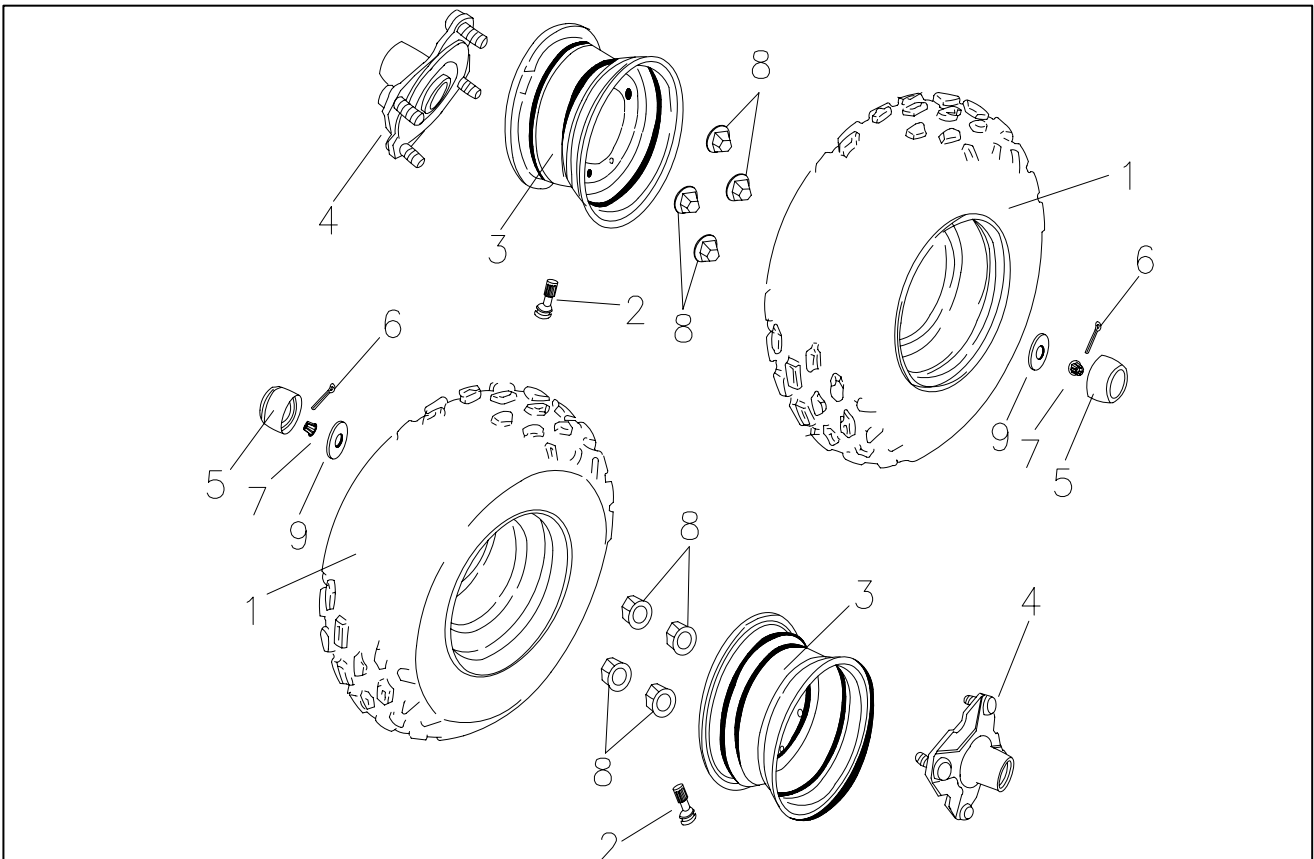
Item	Part No.	Part Name	Spec.	Q'ty
1	47220-7A1-000	Hose, Front Brake	D-Arm, Disc Brake	1
2	47230-3AR-000	Caliper Ass'y, Front R.		1
3	47240-3AR-000	Caliper Ass'y, Front L.		1
4	47210-3AR-000	Disc, Front Brake	170*58	2
5	91000-08020-2G	Bolt, Hex. Socket	M8*20	4
6	90105-08018-97L	Bolt, Brake Disc	M8*18	6
7	90145-MS9-6110-M	Bolt, Brake Hose	M10x22	3
8	94104-10140-CU	Washer, Copper	10.2x14x1.0	6
9	91000-08025-2G	Bolt, Hex. Socket	M8*25	1
10	89020-3AR-000	Strap	ALT-200MM	3
11	47235-3AR-000	Pad Kit, Rear Disc Front		2

## F-8 Front Wheel



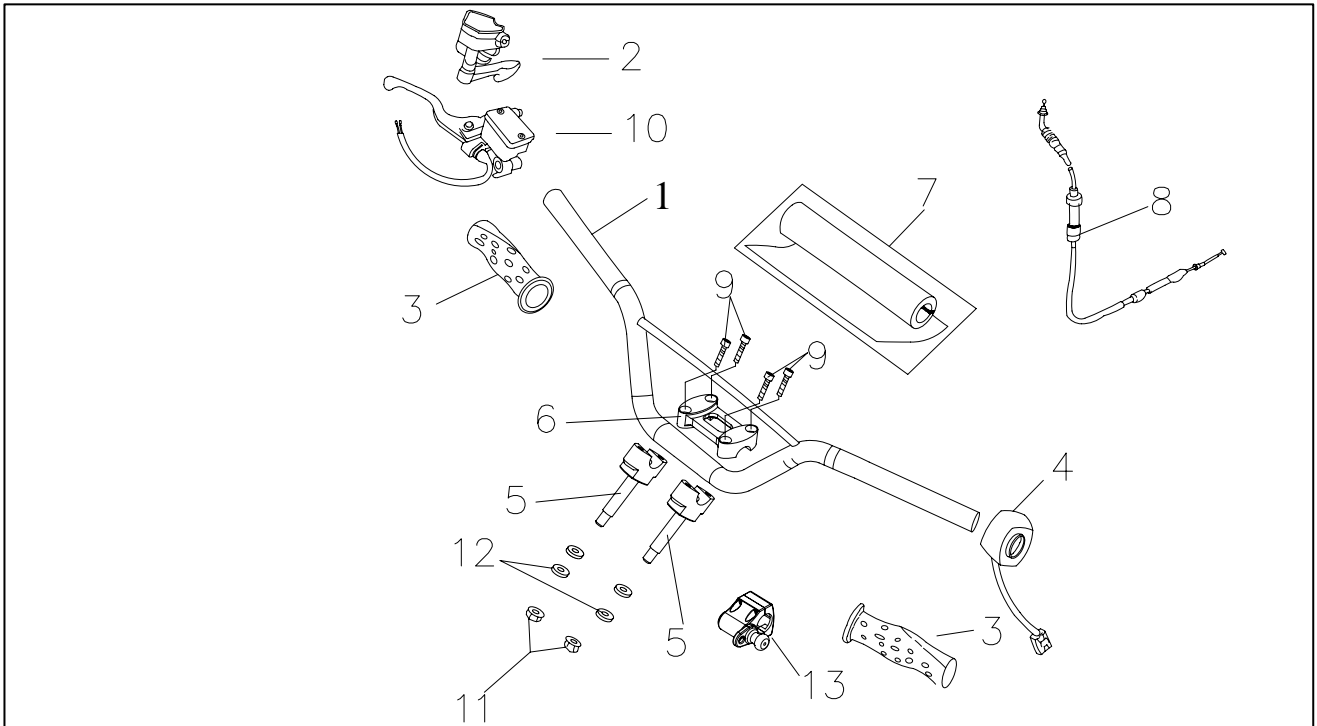
Item	Part No.	Part Name	Spec.	Q'ty
1	44710-200610K-532F	Tyre	20*6-10K532	2
2	44711-TR-412	Valve, Tyre	TR-412	2
3	44700-1055-C414590	Rim	10x5.5, 3+2	2
4	44720-PK-6142	Center Cap, Wheel		2
5	94201-32320	Cotter Pin	3.2x320	2
6	47121-3AR-00B	Hub Ass'y., Front Wheel		2
7	96140-6004	Bearing, Ball	6004	2
8	91258-284207	Seal, Oil	28*42*7	2
9	96140-6202	Bearing, Ball	6202	2
10	50150-2116030	Spacer, Inner	21*16*30	2
11	50150-1520010	Spacer, Outer	15*20*10	2
12	90350U-10014A	Nut, Flange Insert Lock	M10xP1.25	8
13	90351-14000K	Nut	M14*P1.25	2
14	94101-1440045	Washer, Plate	14.3x40x4.5	2
15	91258-203507	Seal, Oil	20*35*7	2
16	50150-2128007	Sapcer	21*28*7	2
17	47122-3AR-00B	Hub. Front Wheel		2

**F-9 Rear Wheel**



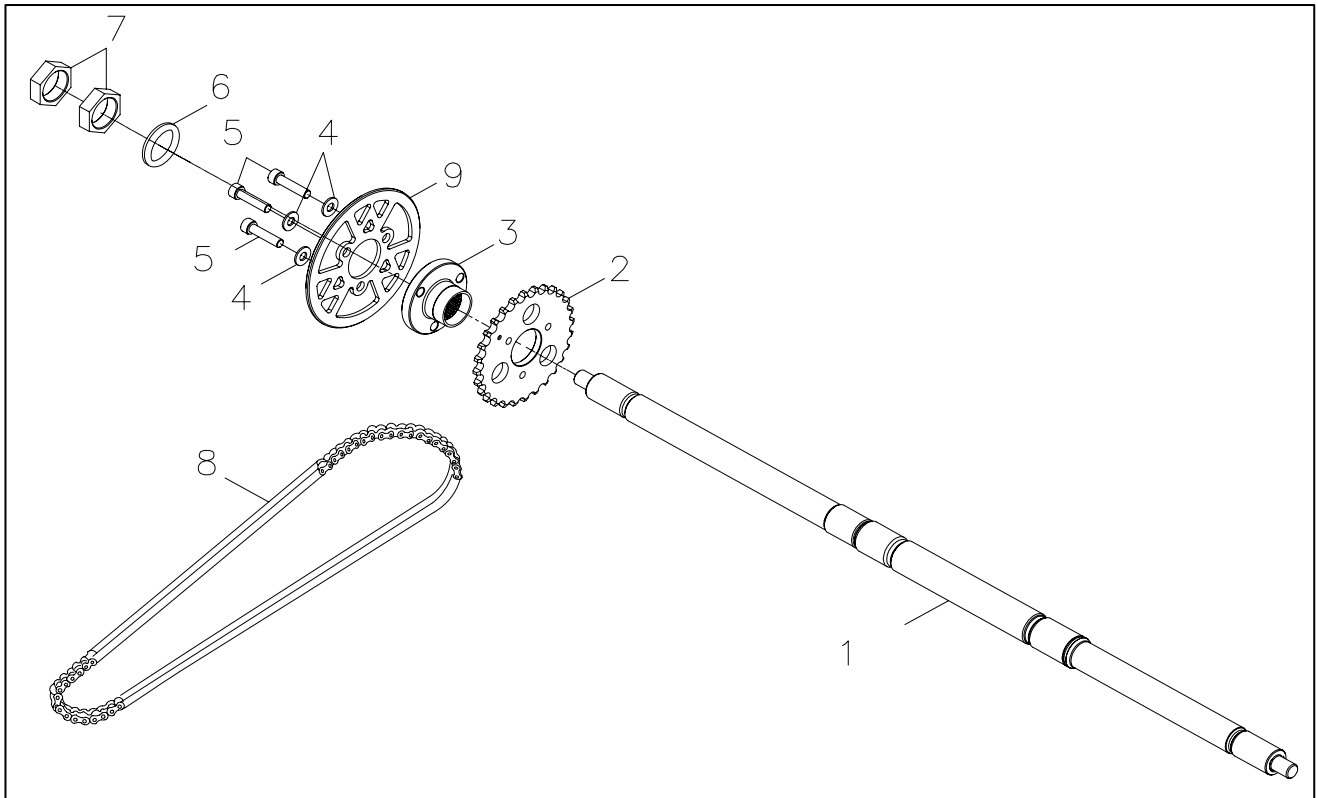
Item	Part No.	Part Name	Spec.	Q'ty
1	44710-189508DI2006	Tyre	Duro, 18x9.5-8	2
2	44711-TR-412	Valve, Rim	TR-412	2
3	44700-0807-C411090	Rim	8x7, 3+4	2
4	42350-3AR-000	Hub., Rear Wheel		2
5	44720-PK-6142	Center Cap, Wheel	PK-6142	2
6	94201-32320	Cotter Pin	3.2x320	2
7	90351-14000K	Nut	M14*P1.25	2
8	90350U-10014A	Nut, Flange Insert Lock	M10xP1.25	8
9	94101-1440045	Washer, Plate	14.3x40x4.5	2

**F-10 Handlebar**



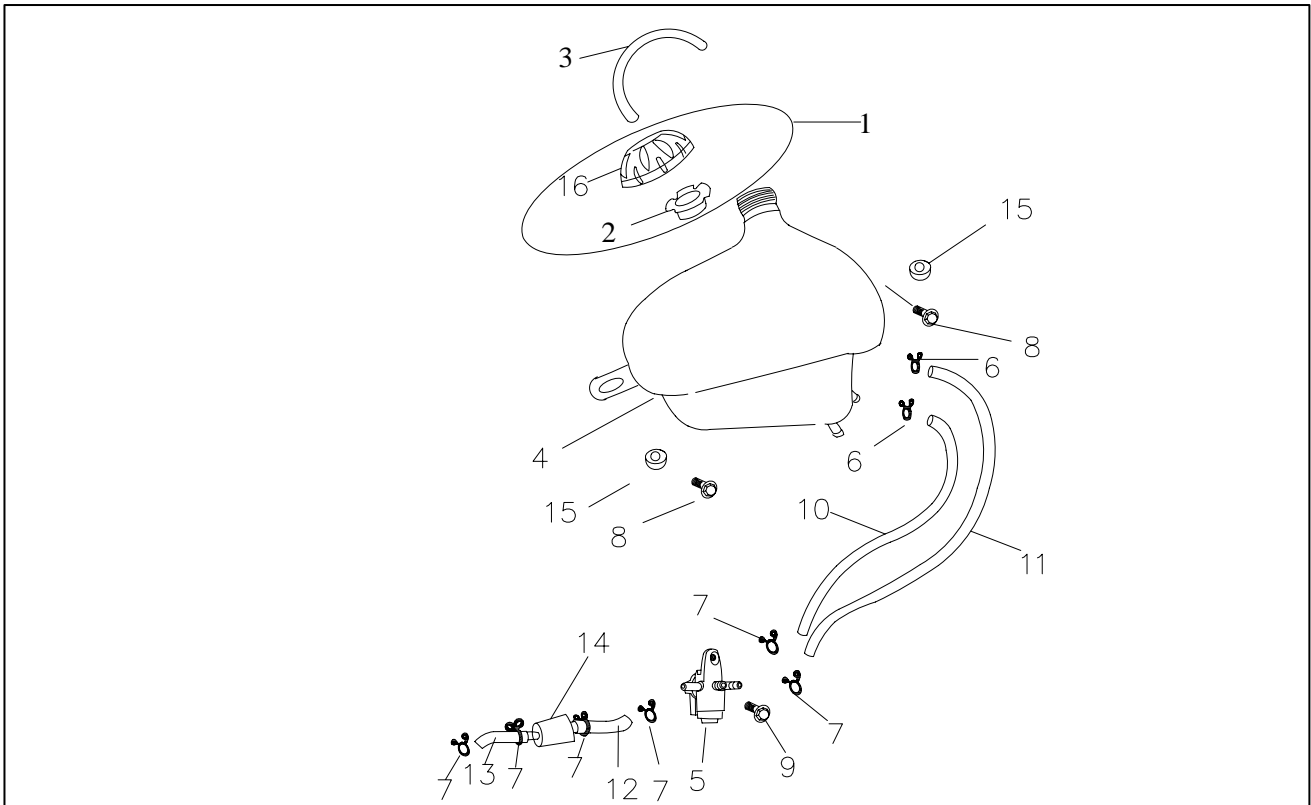
Item	Part No.	Part Name	Spec.	Q'ty
1	53100-3AR-00B	Handlebar, AL	AL, SILVER	1
	53100-3AR-REA	Handlebar, AL	AL, RED	1
	53100-3AR-BLA	Handlebar, AL	AL, BLUE	1
2	56160-3AR-00A	Body, Throttle		1
3	53110-3AR-00A	Grip, Handlebar	LD130	2
4	35150-3AR-000	Switch Ass'y	off-road	1
5	53332-T-A78	Bottom Holdar, Handlebar		2
6	53320-T-078A	Up Holdar, Handlebar	AL 7/8"-66L	1
7	53120-3AR-0EM	Pad, Handlebar	APEX	1
8	17910-3AR-02B	Cable, Throttle	PWK, Single Cable	1
9	HSC-08030-S	Bolt, Hex. Socket	M8x30	4
10	56170-3AR-00B	Master Cylinder Ass'y, F.		1
11	NN-10017-B	Nut, Flange Insert Lock	M10xP1.7	2
12	94101-1420020	Washer, Plate	14*26*2.0	2
13	17517-AMCO-000	Kill, Switch		1

### F-11 Axle & Sprocket



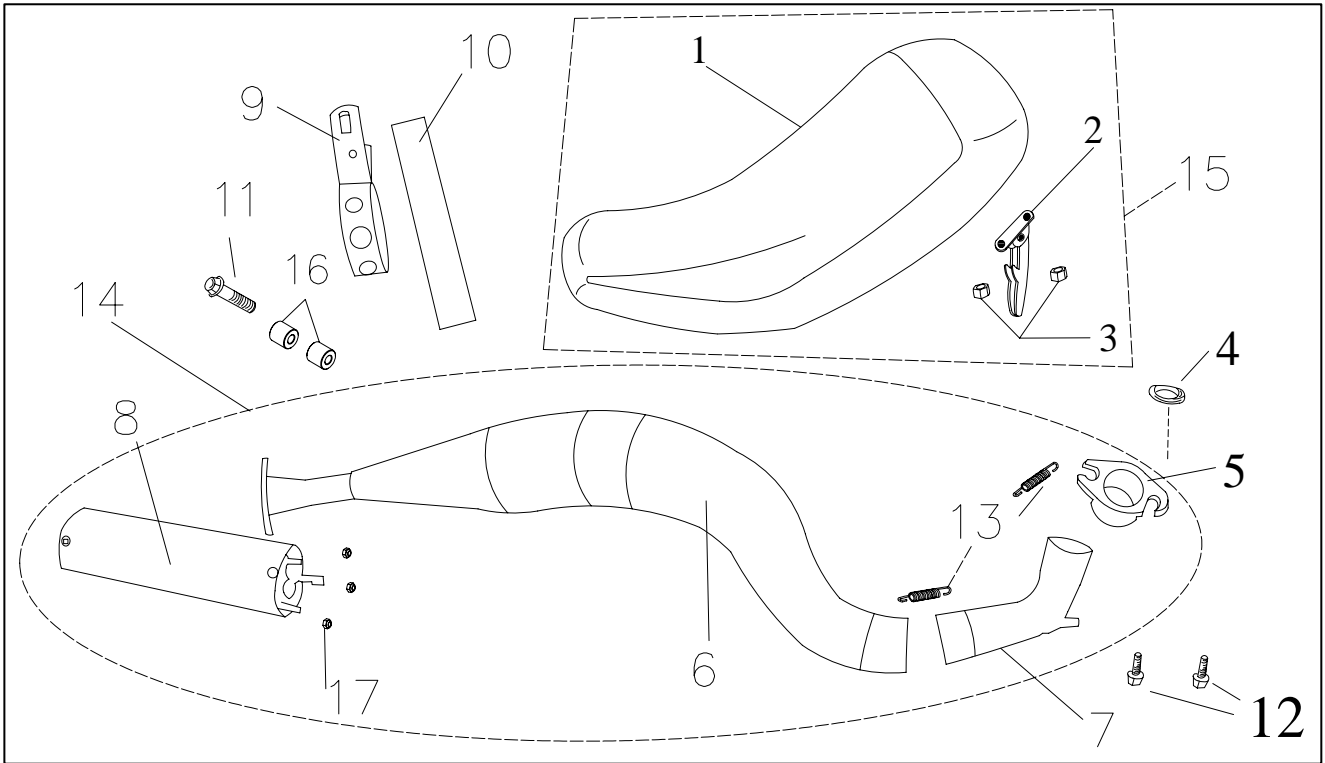
Item	Part No.	Part Name	Spec.	Q'ty
1	42300-3AR-00B	Axle, Wheel	32x864L	1
2	41200-428030	Sprocket	428-30	1
3	42615-3AR-000	Bracket, Sprocket		1
4	SW08013 K	Washer, Spring		3
5	91000-08025-2G	Bolt, Hex. Socket	M8*25	3
6	42331-3AR-000	Washer, Spring		1
7	42330-3AR-000	Nut, Axle		2
8	40530-428090	Chain	428-90	1
9	42611-7A1-000-SI	Protector, Sprocket	SILVER	1
	42611-7A1-000-RE	Protector, Sprocket	RED	1
	42611-7A1-000-BK	Protector, Sprocket	BLACK	1

**F-12 Fuel Tank**



Item	Part No.	Part Name	Spec.	Q'ty
1	17620-3AR-000	Cap Ass'y, Fuel Tank		1
2	17622-3AR-000	Seal, Cap		1
3	17621-3AR-000	Tube, Breathe	L=250	1
4	17510-3AR-000	Tank, Fuel		1
5	16950-3AR-000	Cock Ass'y, Fuel		1
6	17631-3AR-000	Clip, Fuel Tube	0.8*10*13	2
7	16320-08008	Clip, Fuel Tube	8x0.8	6
8	90112-06020-0G	Hex Flange, Shoulder Bolt	M6x20	2
9	95701-06012-07	Bolt , Hex. Flange	M6x12	1
10	17630-08290	Tube A, Fuel	L=290	1
11	17630-08235	Tube B, Fuel	L=235	1
12	17630-08200	Tube C, Fuel	L=200	1
13	17630-08080	Tube D, Fuel	L=80	1
14	16300-A2C4-000	Filter, Fuel	(PM-13-008)	1
15	17520-3AR-000	Rubber,Fuel Tank		2
16	17623-3AR-000	Cap, Fuel Tank		1

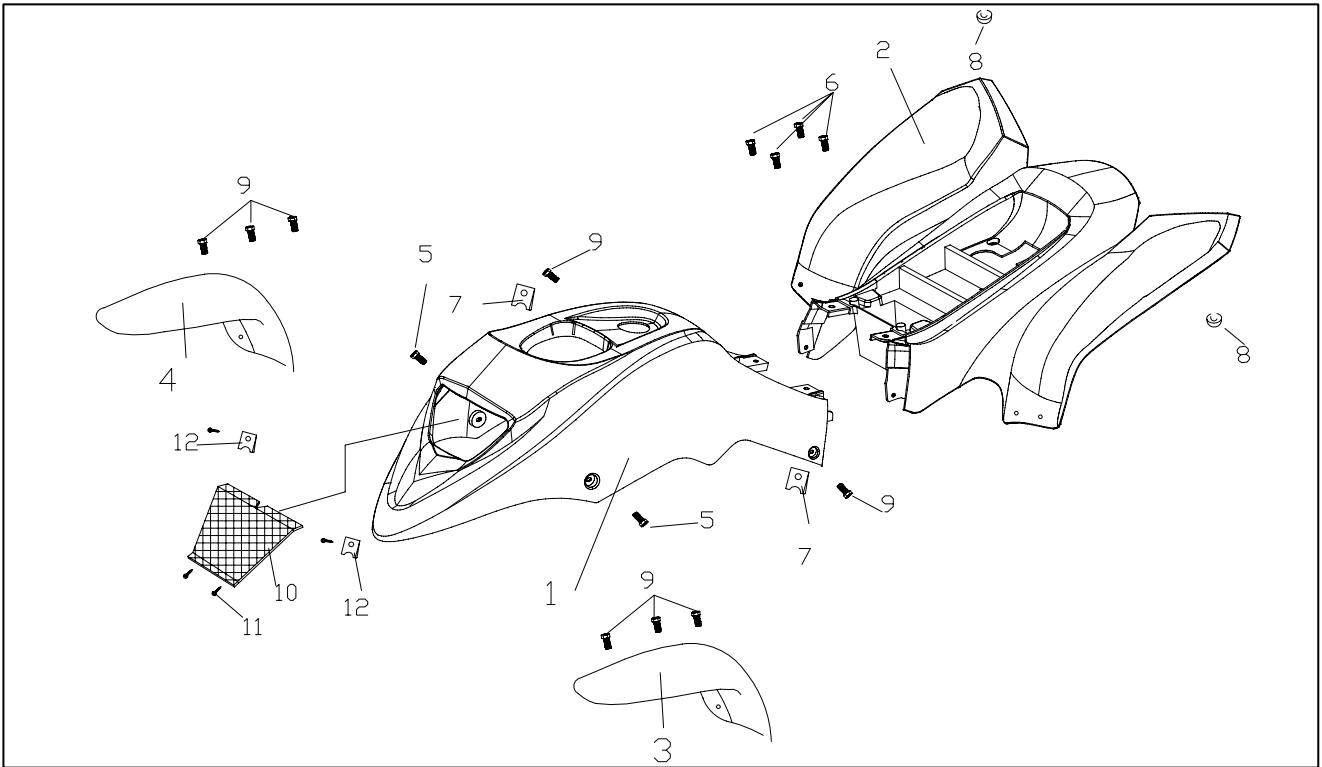
**F-13 Seat & Exhaust Pipe**



Item	Part No.	Part Name	Spec.	Q'ty
1	77200-3AR-0EM	Seat	ATV-131	1
2	77230-3AR-000	Lock Ass'y, Seat		1
3	94050-06000	Nut, Hex Flange with Serration		2
4	53420-3AR-000	Gasket, Exhaust Pipe		1
5	53480-3AR-00A	Connector, Head Pipe		1
6	53400-3AR-00S	Exhaust Pipe		1
7	53481-3AR-000	Connector, Middle Pipe		1
8	53510-3AR-000	Pipe, Tail		1
9	52411-7A1-000	Clamp, Exhaust Pipe		1
10	53412-3AR-00A	Rubber, Exhaust Pipe		1
11	95701-08055-12B	Bolt , Hex. Flange	M8*55	1
12	91000-06012-18	Hex. Bolt, Socket	M6*12	2
13	53413-3AR-000	Spring, Connector		2
14	A53400-3AR-00S	Racing Pipe		1
15	77000-3AR-0EM	Seat Ass'y		1
16	50150-0819-16B	spacer, Caliper Ass'y	8*19*16L	2
17	94050-05000	Nut, Hex Flange with Serration		3

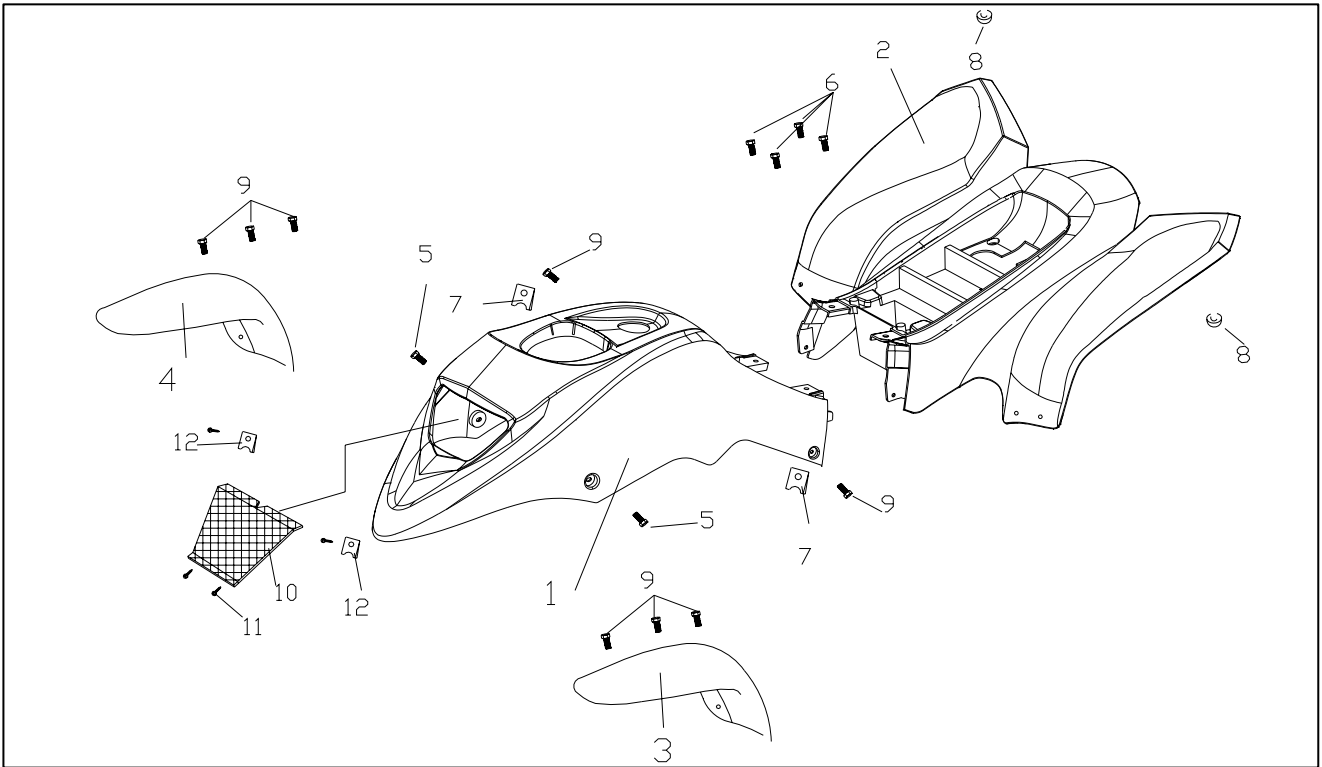


**F-14 Body Cover**



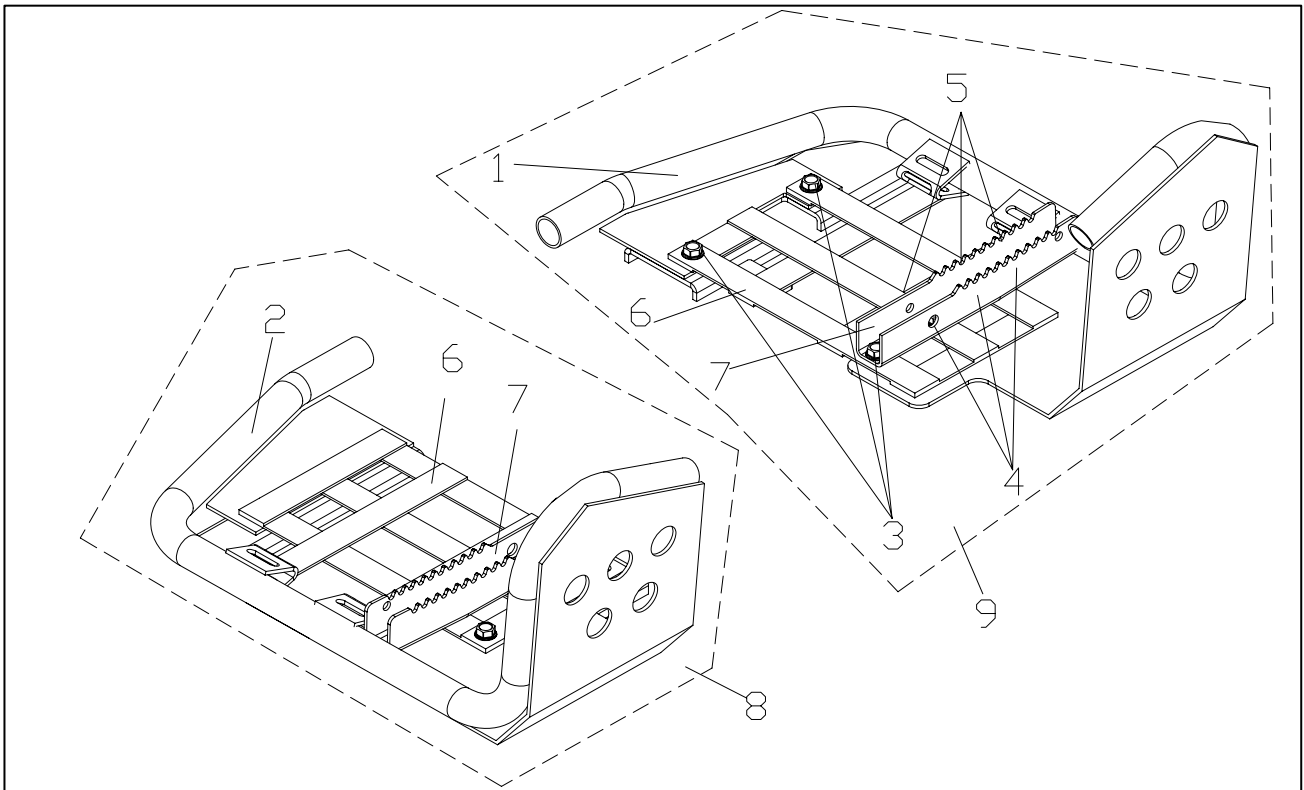
Item	Part No.		Spec.	Q'ty
1	61320-3AR-OR0	Body Cover, Front	ORANGE	1
	61320-3AR-BL0	Body Cover, Front	BLUE	1
	61320-3AR-BK0	Body Cover, Front	BLACK	1
	61320-3AR-YE0	Body Cover, Front	YELLOW	1
	61320-3AR-WH0	Body Cover, Front	WHITE	1
	61320-3AR-RE0	Body Cover, Front	RED	1
2	64340-3AR-OR0	Body cover, Rear	ORANGE	1
	64340-3AR-BL0	Body cover, Rear	BLUE	1
	64340-3AR-BK0	Body cover, Rear	BLACK	1
	64340-3AR-YE0	Body cover, Rear	YELLOW	1
	64340-3AR-WH0	Body cover, Rear	WHITE	1
	64340-3AR-RE0	Body cover, Rear	RED	1
3	61200-3AR-ORA	Fender, L.	ORANGE	1
	61200-3AR-BLA	Fender, L.	BLUE	1
	61200-3AR-BKA	Fender, L.	BLACK	1
	61200-3AR-YEA	Fender, L.	YELLOW	1
	61200-3AR-WHA	Fender, L.	WHITE	1
	61200-3AR-REA	Fender, L.	RED	1

**F-14 Body Cover**



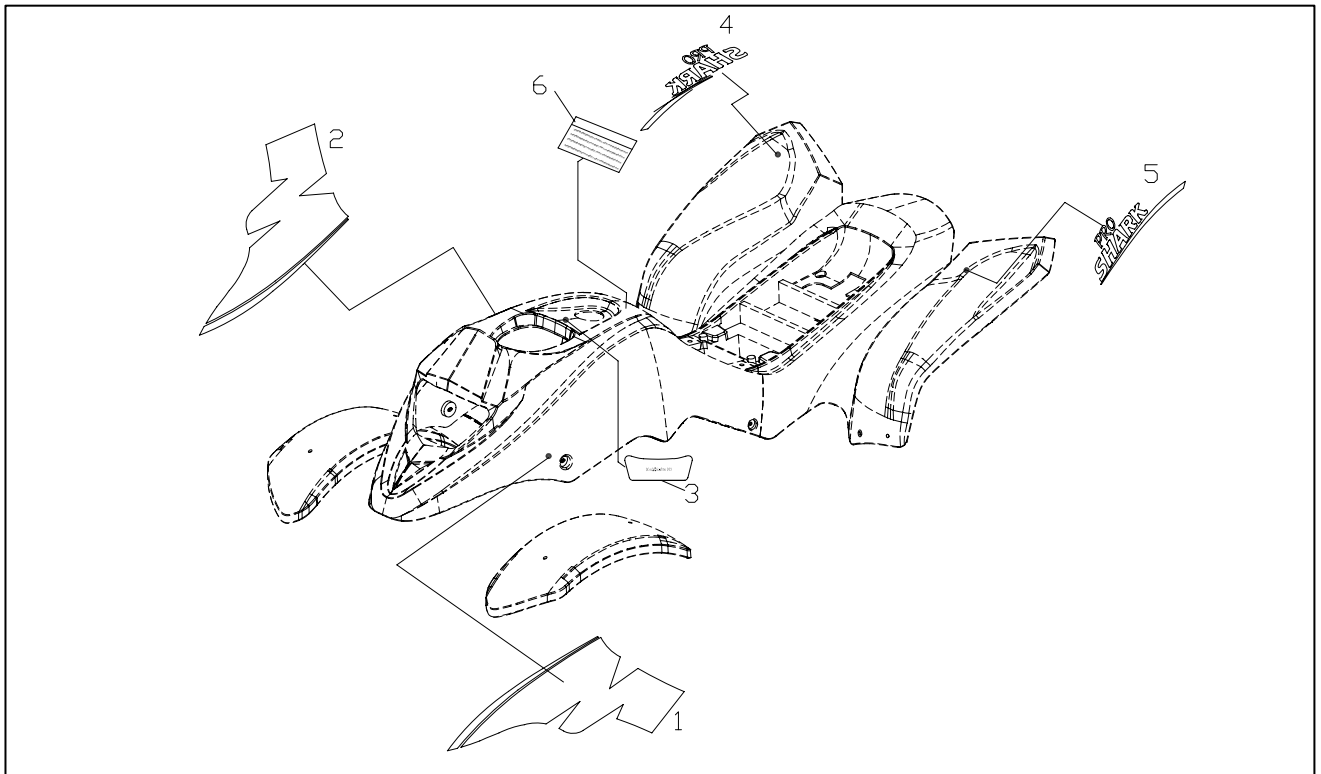
Item	Part No.		Spec.	Q'ty
4	61100-3AR-ORA	Fender, R.	ORANGE	1
	61100-3AR-BLA	Fender, R.	BLUE	1
	61100-3AR-BKA	Fender, R.	BLACK	1
	61100-3AR-YEA	Fender, R.	YELLOW	1
	61100-3AR-WHA	Fender, R.	WHITE	1
	61100-3AR-REA	Fender, R.	RED	1
5	93404-06012-07	Bolt ,Hex. Flange with Washer	M6*12	2
6	90005-06012-17	Bolt, Flate	M6*12	4
7	90344-06000K	Plate, Spring		2
8	45535-3AR-000	Rubber, Damper		2
9	90109-06835-07	Bolt ,Hex. Flange with Washer	M6*16	8
10	34310-3AR-000	Mesh		1
11	TT-105120-U3	Bolt, Flate	M5*12	4
12	90302-VSN4-C	Plate, Spring		2

**F15 NERF Bar**



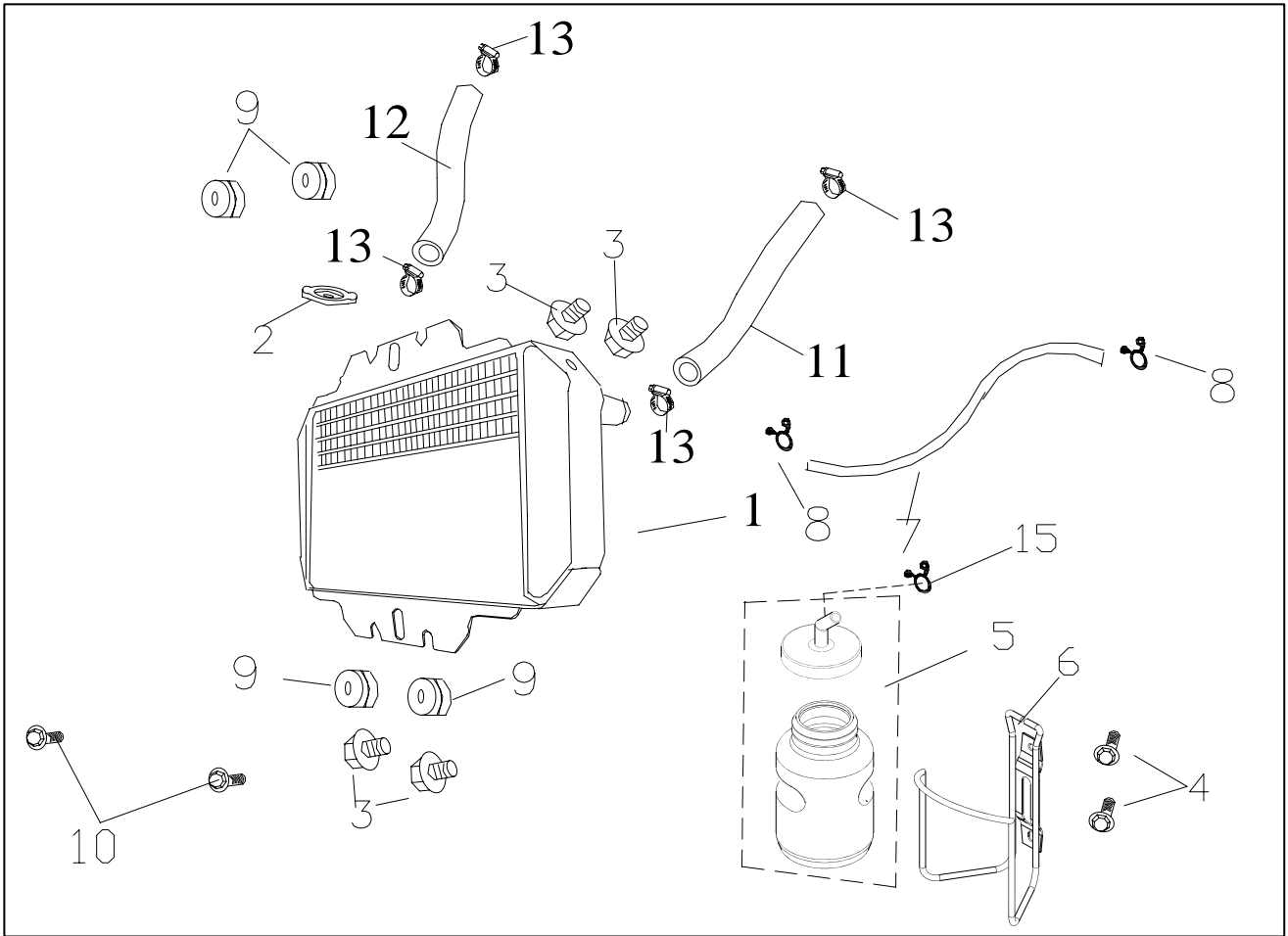
Item	Part No.	Part Name	Spec.	Q'ty
1	50820-3AR-00B	R. Bar, Nerf	SILVER	1
	50820-3AR-BKB	R. Bar, Nerf	BLACK	1
	50820-3AR-BLB	R. Bar, Nerf	BLUE	1
	50820-3AR-REB	R. Bar, Nerf	RED	1
2	50810-3AR-00B	L. Bar, Nerf	SILVER	1
	50810-3AR-BKB	L. Bar, Nerf	BLACK	1
	50810-3AR-BLB	L. Bar, Nerf	BLUE	1
	50810-3AR-REB	L. Bar, Nerf	RED	1
3	94000-08016	Hex. Acorn Washer Face Nut	M8*P1.25	8
4	92100-06065	Hex. Washer Face Bolt	M6x65	6
5	NN-06010-B	Nut, Hex Lock	M6xP1.0	6
6	50821-3AR-00A	Net		2
7	50840-3AR-00A	Peg, Foot		2
8	50813-3AR-00A	L. Bar, Ass'y Nerf	SILVER	1
	50813-3AR-BKA	L. Bar, Ass'y Nerf	BLACK	1
	50813-3AR-BLA	L. Bar, Ass'y Nerf	BLUE	1
	50813-3AR-REA	L. Bar, Ass'y Nerf	RED	1
9	50823-3AR-00A	R. Bar, Ass'y Nerf	SILVER	1
	50823-3AR-BKA	R. Bar, Ass'y Nerf	BLACK	1
	50823-3AR-BLA	R. Bar, Ass'y Nerf	BLUE	1
	50823-3AR-REA	R. Bar, Ass'y Nerf	RED	1

**F-16 Sticker**



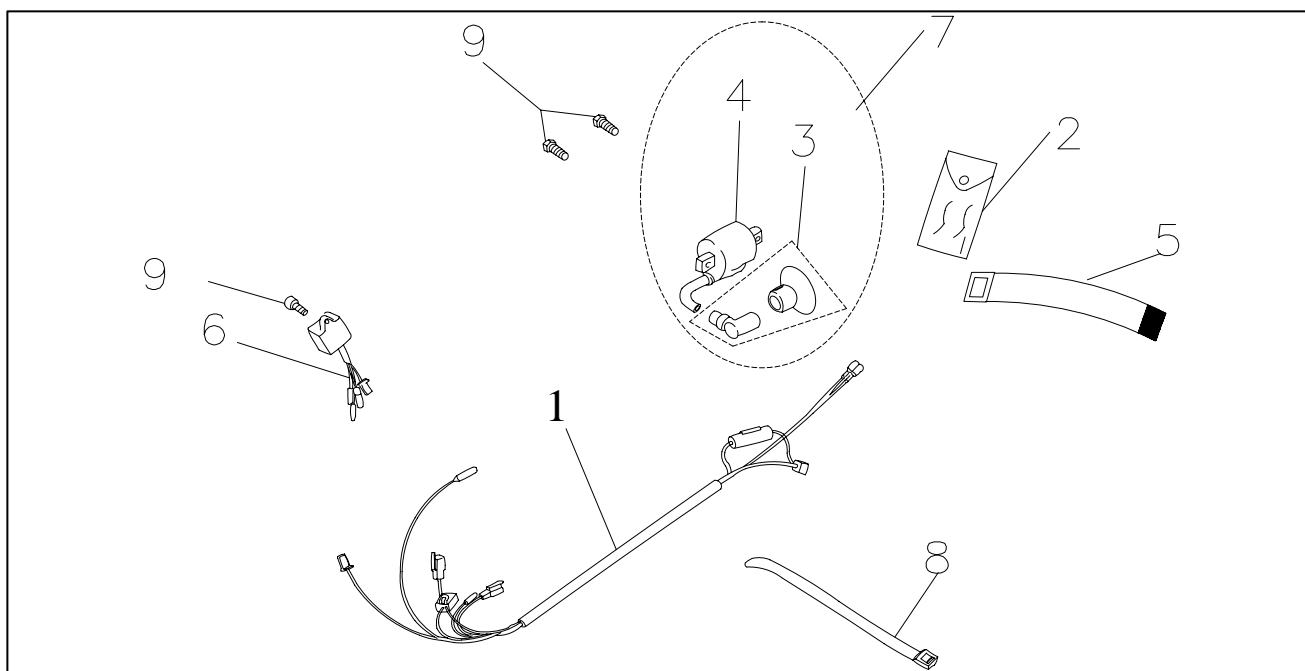
Item	Part No.	Part Name	Spec.	Q'ty
1	61321-3AR-1EM	Side Sticker, L.	AMU	1
	61321-3AR-2EM	Side Sticker, L.	AMU, WHITE only	1
2	61322-3AR-1EM	Side Sticker, R.	AMU	1
	61322-3AR-2EM	Side Sticker, R.	AMU, WHITE only	1
3	61323-3AR-000	Sticker, Front	無孔	1
4	64342-3AR-1EM	Rear Sticker, R	BLACK, BLUE Bike	1
	64342-3AR-0EM	Rear Sticker, R	RED, YELLOW, ORANGE, WHITE	1
5	64341-3AR-1EM	Rear Sticker, L.	BLACK, BLUE Bike	1
	64341-3AR-0EM	Rear Sticker, L.	RED, YELLOW, ORANGE, WHITE	1
6	61327-3AR-00EM	Waring Lebel, Oil Mixture		1

**F-17 Radiator**



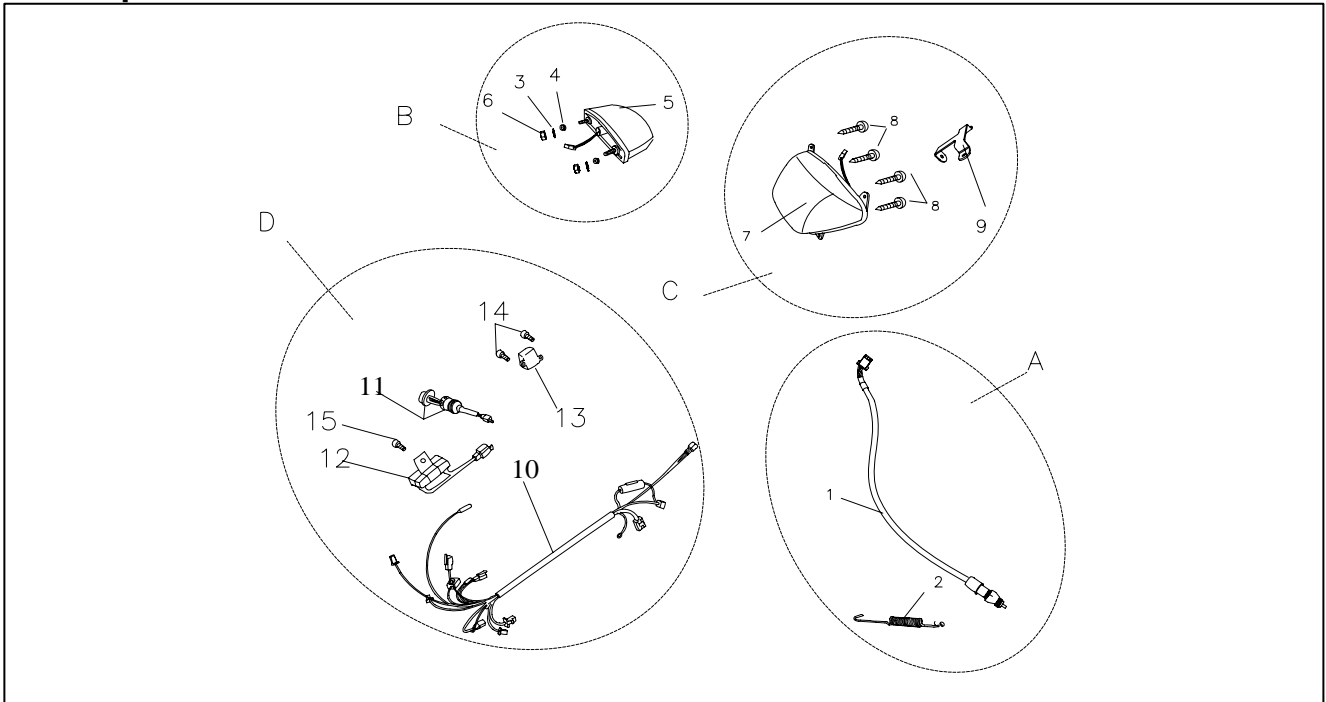
Item	Part No.	Part Name	Spec.	Q'ty
1	15231-A2DL-00B	Radiator		1
2	15232-A2DL-00B	Cap, Liquid Cooler		1
3	91750-06020-10G	Bolt ,Hex. Flange with Washer	M6*20	4
4	91000-06010-07	Bolt, Hex. Socket	M6x10	2
5	19200-3AR-000	Aux. Tank Kit, Liquid		1
6	19210-3AR-00A	Bracket, Aux. Liquid Tank		1
7	95005-07300	Tube, Overflow	L=1150	1
8	16320-08008	Clip	8*0.8	3
9	15234-A2DL-00A	Rubber Absorber, Radiator		4
10	93404-06012-07	Bolt ,Hex. Flange with Washer	M6*12	2
11	15233-162440	Hose C, Liquid	L=440	1
12	15233-162610	Hose A, Liquid	L=610	1
13	16411-A2DL-000	Clamp, Hose		4

**F-18 Electrical**



Item	Part No.	Part Name	Spec.	Q'ty
1	32100-3AR-00D	Wire, Electric	Racing	1
2	89010-3AR-000	Tool		1
3	30700-3AR-000	Cap, Spark Plug		1
4	30500-3AR-000	Coil, Ignition		1
5	89011-3AR-000	Band, Tool		1
6	30410-3AR-00A	C.D.I Unit	Racing	1
7	30600-3AR-000	Coil Ass'y, Ignition		1
8	89020-3AR-000	Strap	ALT-200MM	5
9	95701-06016-07	Bolt, Hex. Flange	M6x16	3

**F-19 Option Parts**



Item	Part No.	Part Name	Spec.	Q'ty
A	Brake Switch			
1	45543-3AR-000	Switch, Braking		1
2	45544-3AR-000	Spring, Braking Switch	1*7*72	1
B	Tail Light			
3	94101-0622010	Washer, Plate	6*22*1	2
4	50534-3AR-000	Rubber Absorber, Tail Light		2
5	33701-3AR-000	Light, Tail		1
6	90350U-06000-K	Nut, Flange Insert Lock	M6*1.0	2
C	Head Light			
7	33310-3AR-000	Light, Head		1
8	TT-104120-U3	Screw, Tapping	M4*12	4
9	50720-3AR-000	Bracket, Head Light		1
D	Electrical			
10	32100-3AR-00C	Wire, Electric		1
11	35010-3AR-000	Switch, Main	00-001	1
12	30800-3AR-000	Resistor		1
13	31600-3AR-000	Rectifier & Regulator		1
14	93500-05012	Bolt, Pan Phillips	M5x12	2
15	95701-06012-07	Bolt, Hex. Flange	M6x12	1