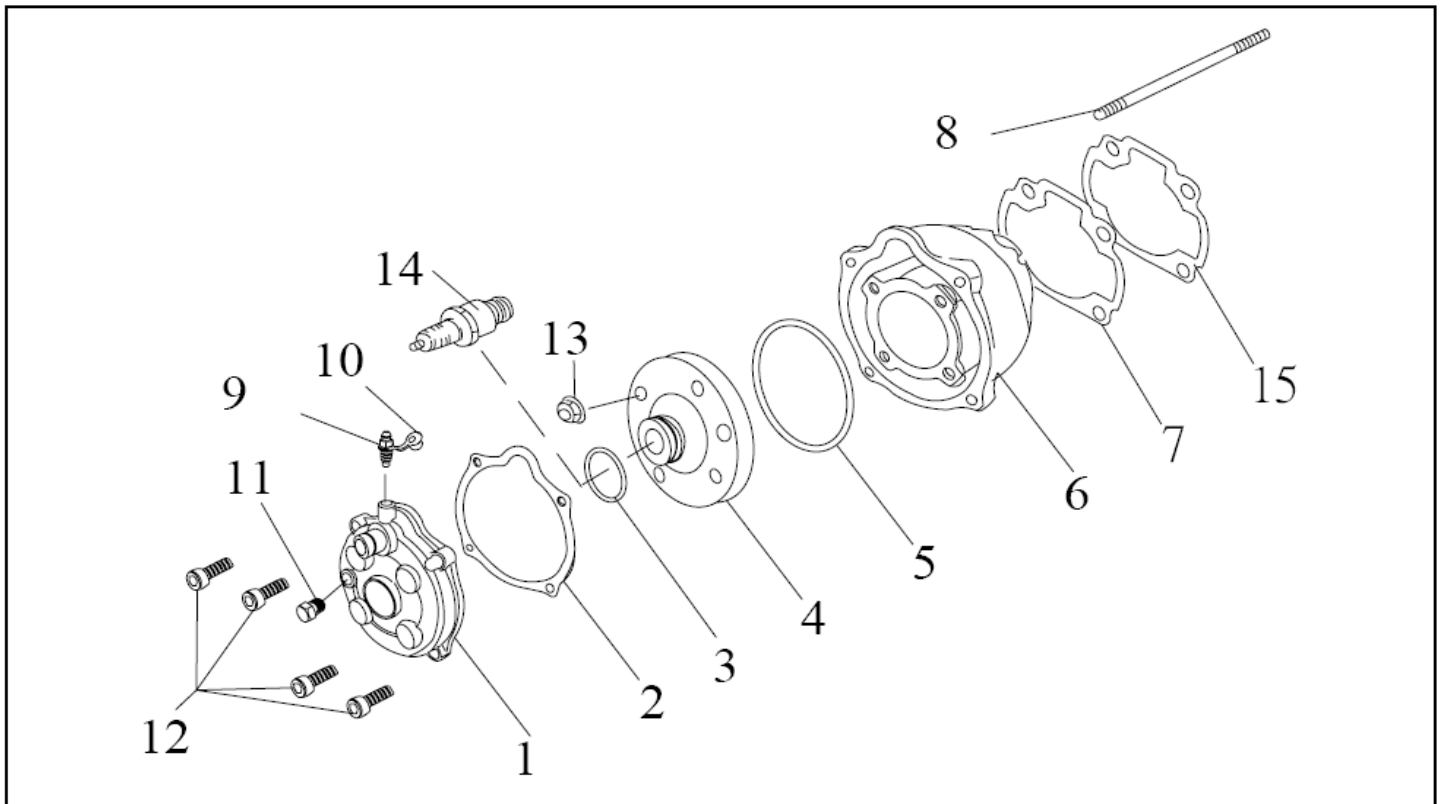
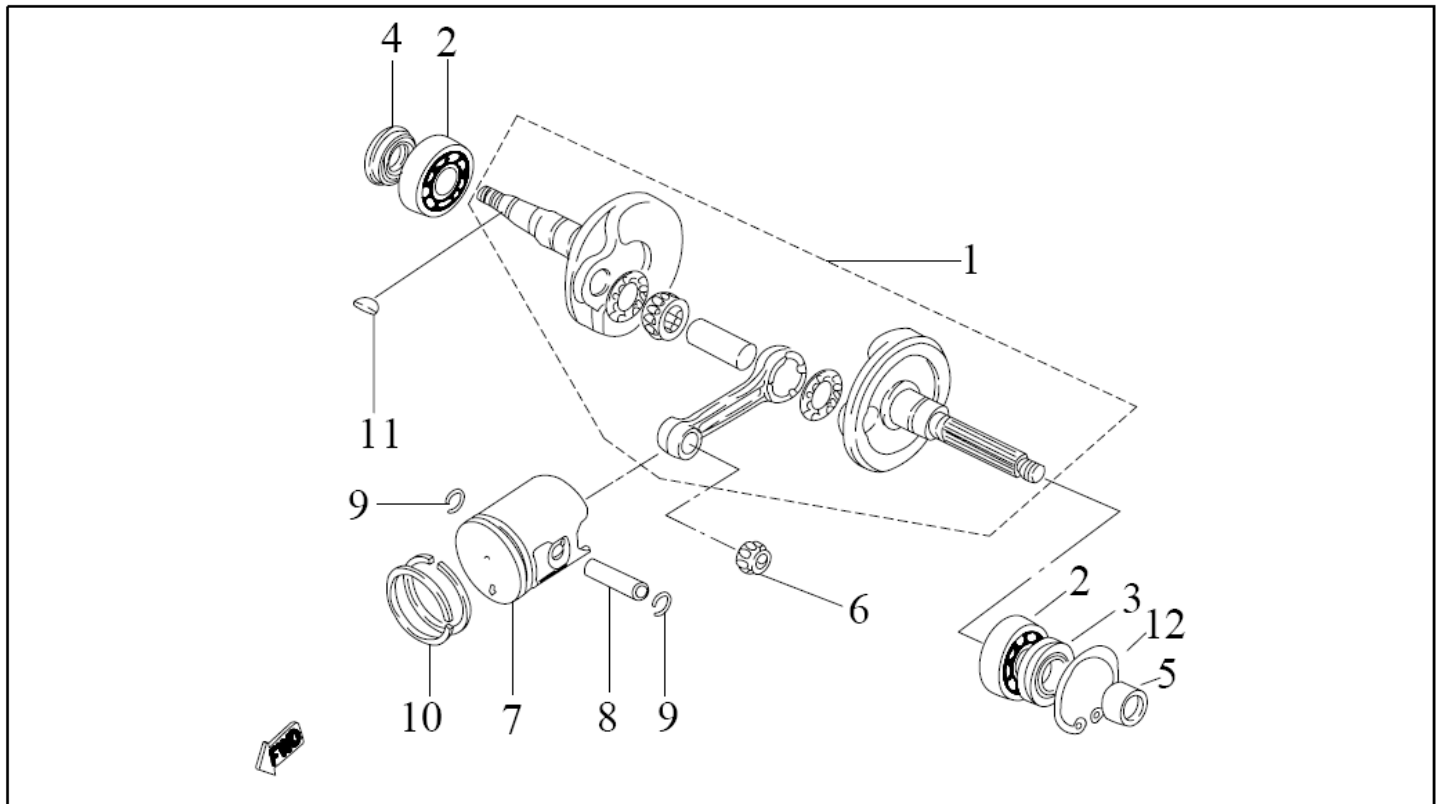


E-1, Cylinder, Cylinder Head & Spark Plug



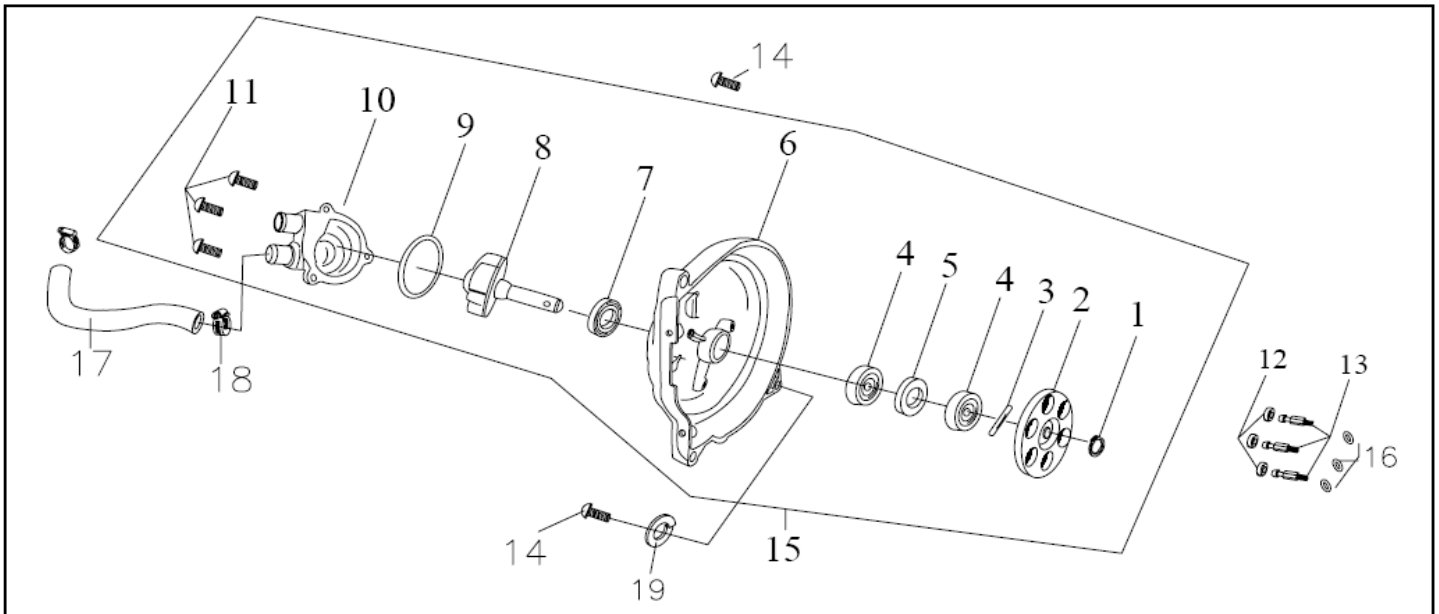
Item	Part No.	Part Name	Spec.	Q'ty
1	12210-A2DL-000	Head Cover, Cyl.		1
2	12251-A2DL-001	Gasket, Head Cover		1
3	91300-240025	Ring, Oil	24*2.4	1
4	12200-A2DL-000	Head, Cylinder		1
5	91300-560020	Ring, Oil	56*1.9	1
6	12100-A2DL-00A	Cylinder	53mm/78-0.77mm	1
7	12191-A2C4-000	Gasket, Cylinder	0.5mm	1
8	90800-07113	Bolt, Stud	M7*113	4
9	15872-A2DL-000	Bolt, Leaking		1
10	15873-A2DL-000	Cap, Rubber		1
11	93600-18	Plug		1
12	91000-06015	Hex. Socket Bolt	M6*P1.0*15	4
13	94000-07100	Hex. Acorm Washer Face Nut	M7x1.0	4
14	98069-NGK-BP8ES	Plug, Spark	NGK BP8ES	1
15	12191-A2C4-00A	Gasket, Cylinder	0.8mm	1

E-2, Piston & Crankshaft



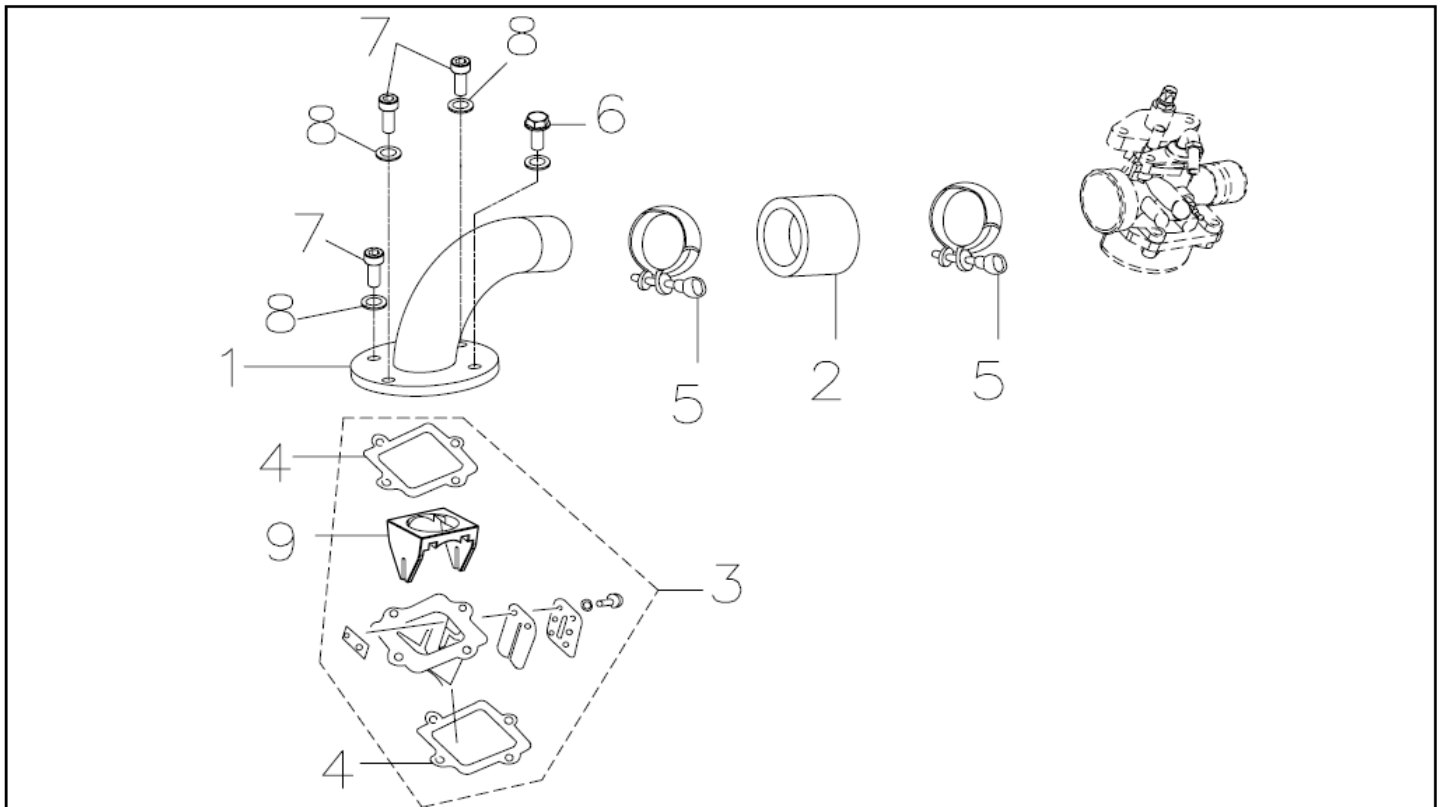
Item	Part No.	Part Name	Spec.	Q'ty
1	13000-A2D-000	Crankshaft Ass'y	S=45mm	1
2	96200-6204C3	Ball Bearing, Crankshaft	6204C3	2
3	91200-20428	Oil Seal, L. Crank	20x42/43x8/9	1
4	91200-20306	Oil Seal, R. Crank	20x30/33.5x6	1
5	13200-A2C4-00A	Collar	16x21x18	1
6	96110-KBK12	Bearing, Needle	12x15x16.6	1
7	13300-A2DL-000	Piston (std.)	53mm	1
8	13400-A2C4-000	Pin, Piston	8x12x40	1
9	13410-A2C4-000	Clip, Piston Pin	12mm	2
10	13310-A2DL-000	Rings, Piston (std.)	53mm	1
11	13010-A2C4-000	Key, Woodruff	3x13	1
12	90500-RTW42	Circlip	IRTW-42	1

E-3, Pump Ass'y, Liquid



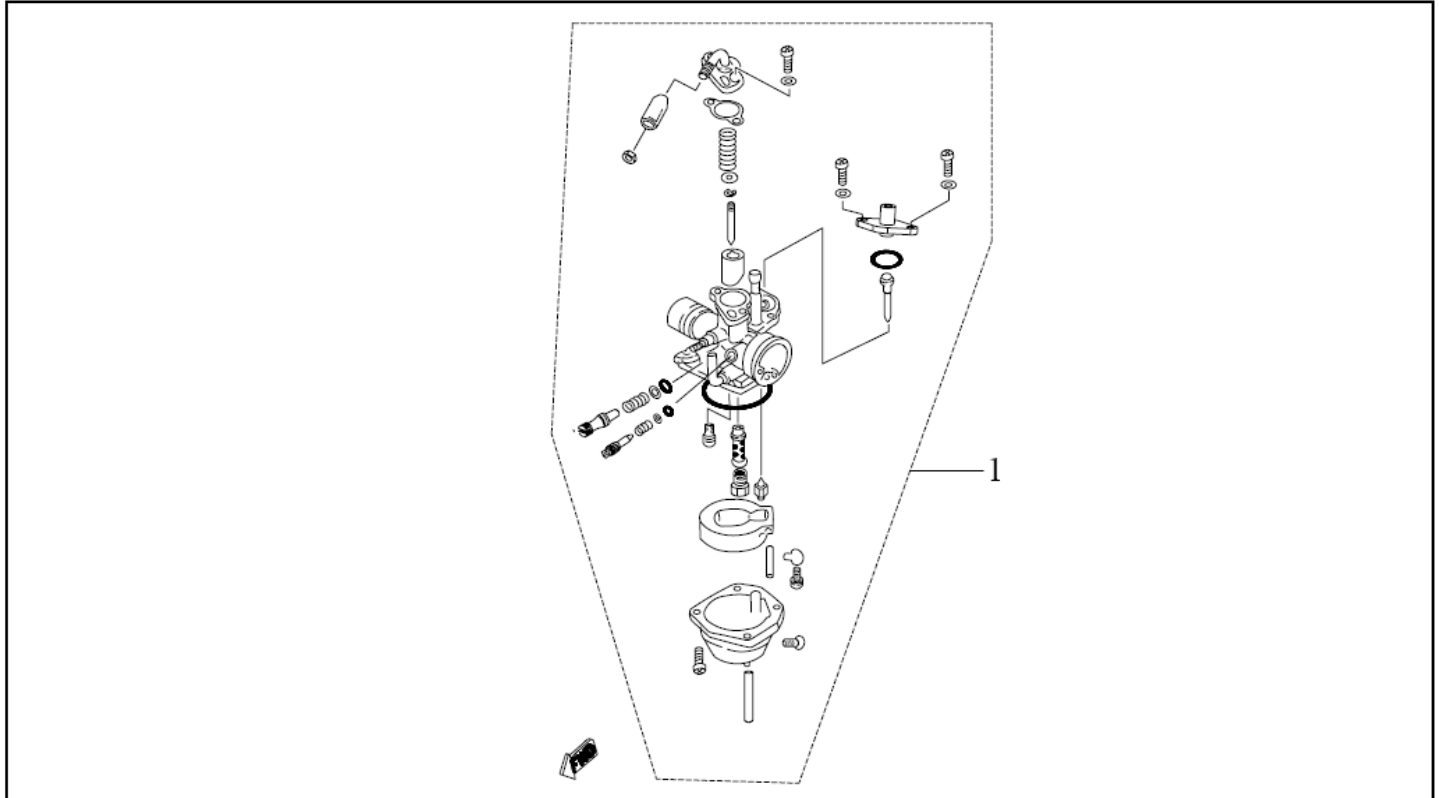
Item	Part No.	Part Name	Spec.	Q'ty
1	90601-S08	Cir. Clip, External	S-8	1
2	15211-A2DL-000	Drive Wheel, Pump		1
3	96220-030198	Pin	3x21.5	1
4	96100-608LLU-C3	Ball, Bearing	608LLU-C3	2
5	15216-A2DL-000	Collar	16*21.8*4.5	1
6	15212-A2DL-000	Body, Pump		1
7	91204-101804	Seal, Oil	10*18*4	1
8	15213-A2DL-000	Rotor Ass'y, Pump		1
9	91300-525020	Ring, Oil	52.0*2.0	1
10	15215-A2DL-000	Cap, Pump		1
11	91000-05020	Hex,Socket Bolt	M5x20	3
12	31130-A2DL-000	Plug, Rubber		3
13	15875-A2DL-000	Bolt, Drive Wheel		3
14	91000-06025	Hex,Socket Bolt	M6x25	2
15	15200-A2DL-000	Pump Ass'y, Liquid		1
16	90426-061310	Washer, Plate	6.5x13x1.0	3
17	15233-162421	Hose B, Liquid	L=210mm	1
18	16411-A2DL-000	Clamp, Hose	1"	2
19	SW-06510B	Washer, Spring	6.5x10x1.5	1

**E4, Intake Manifold, Reed Valve**



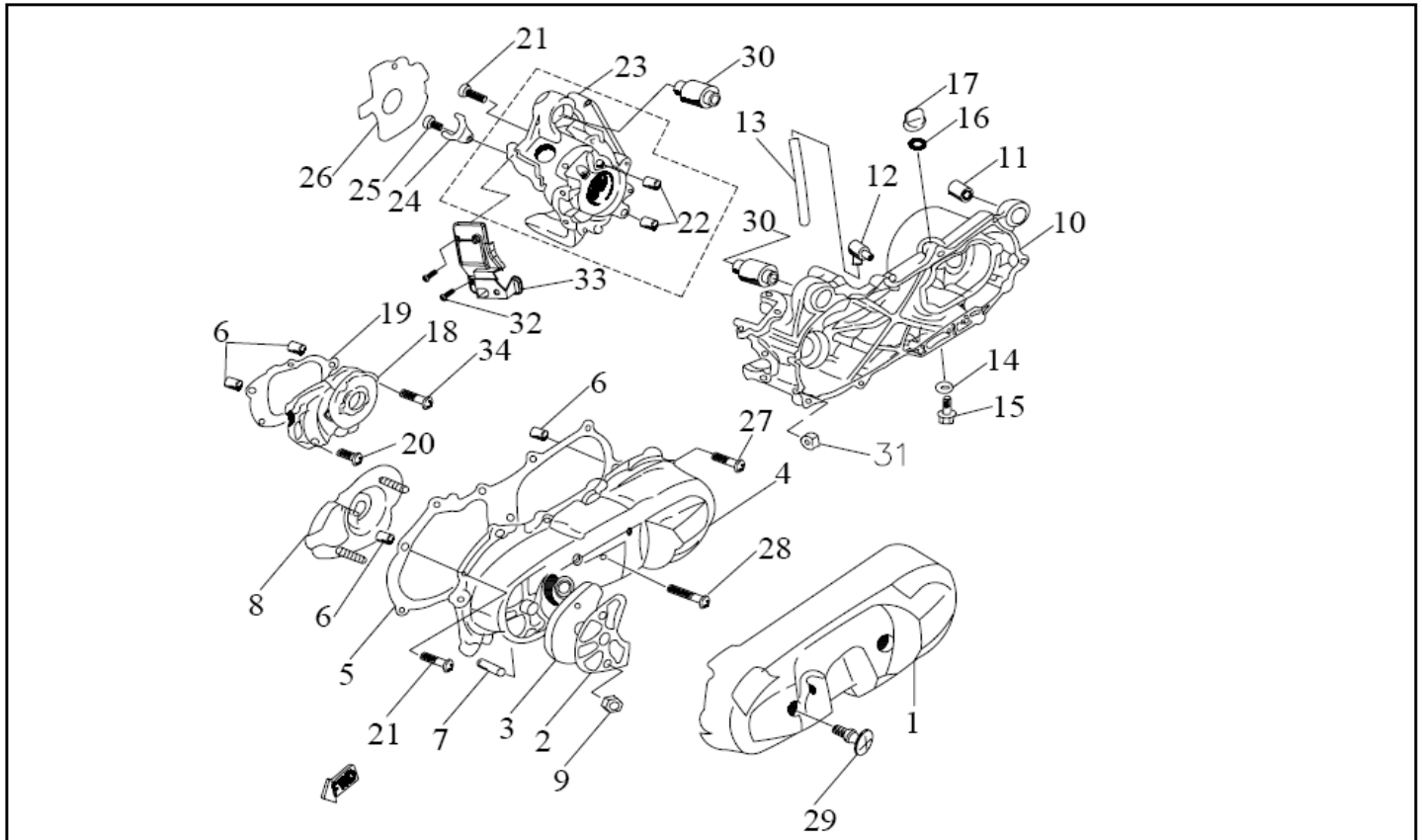
Item	Part No.	Part Name	Spec.	Q'ty
1	16410-A2C4-00C	Manifold, Intake		1
2	16413-A2C4-000	Connector, Rubber		1
3	14710-A2C4-00A	Reed Valve Ass'y		1
4	14711-A2C4-000	Gasket, Reed Valve	0.8mm	2
5	16411-A2C4-00A	Clamp	32/50	2
6	92100-06020-08B	Hex. Washer Face Bolt	M6x20	1
7	91000-06020-05B	Hex. Socket Bolt	M6x20	3
8	SW-06510B	Washer, Spring	6.5x10x1.5	4
9	14713-A2C4-000	Spacer	ψ26mm	1

E-6, Carburetor



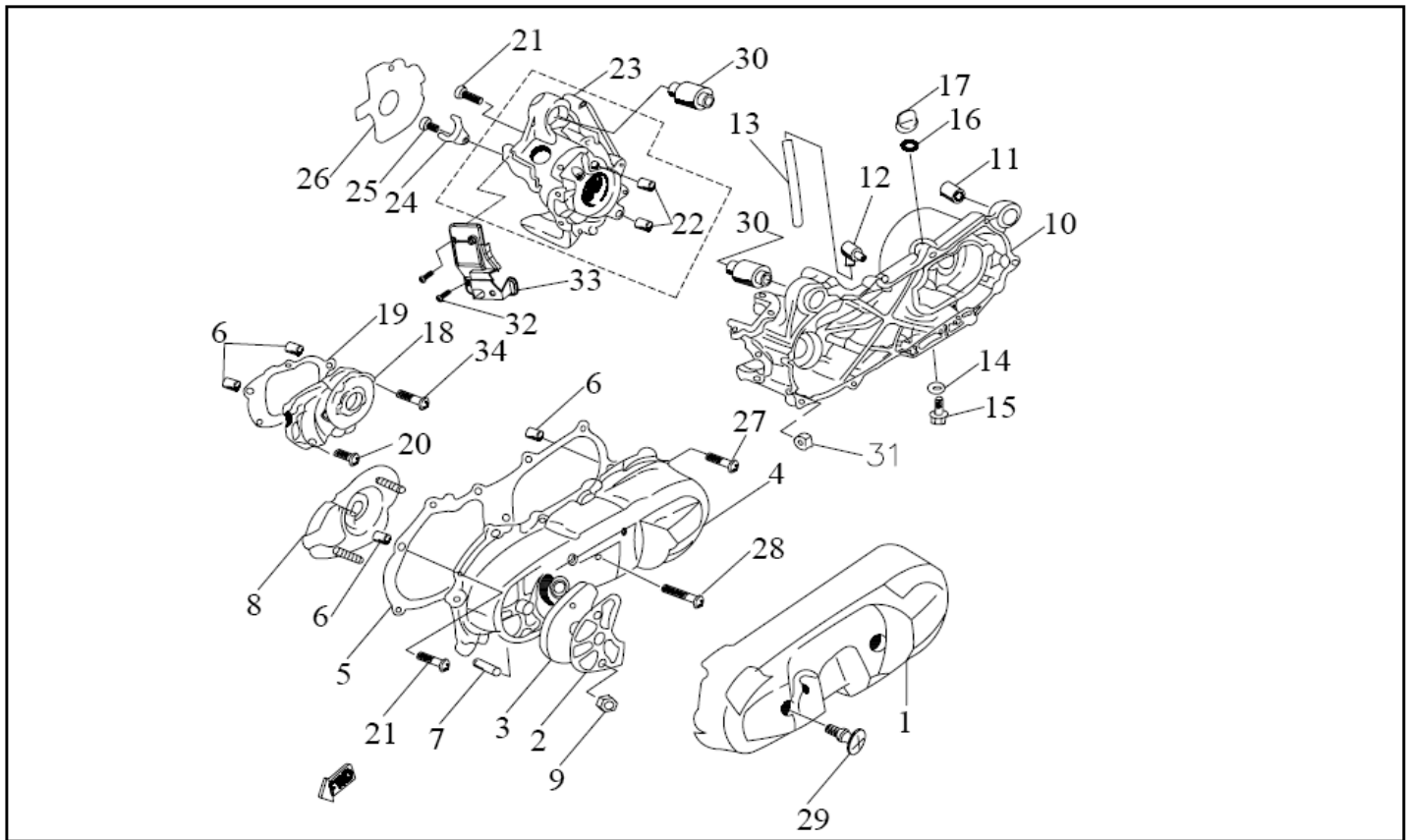
Item	Part No.	Part Name	Spec.	Q'ty
1	16100-A2DL-000	Carburetor Ass'y (manual chock)	AMU-PWK24/118#48#	1

E-7, Crankcase



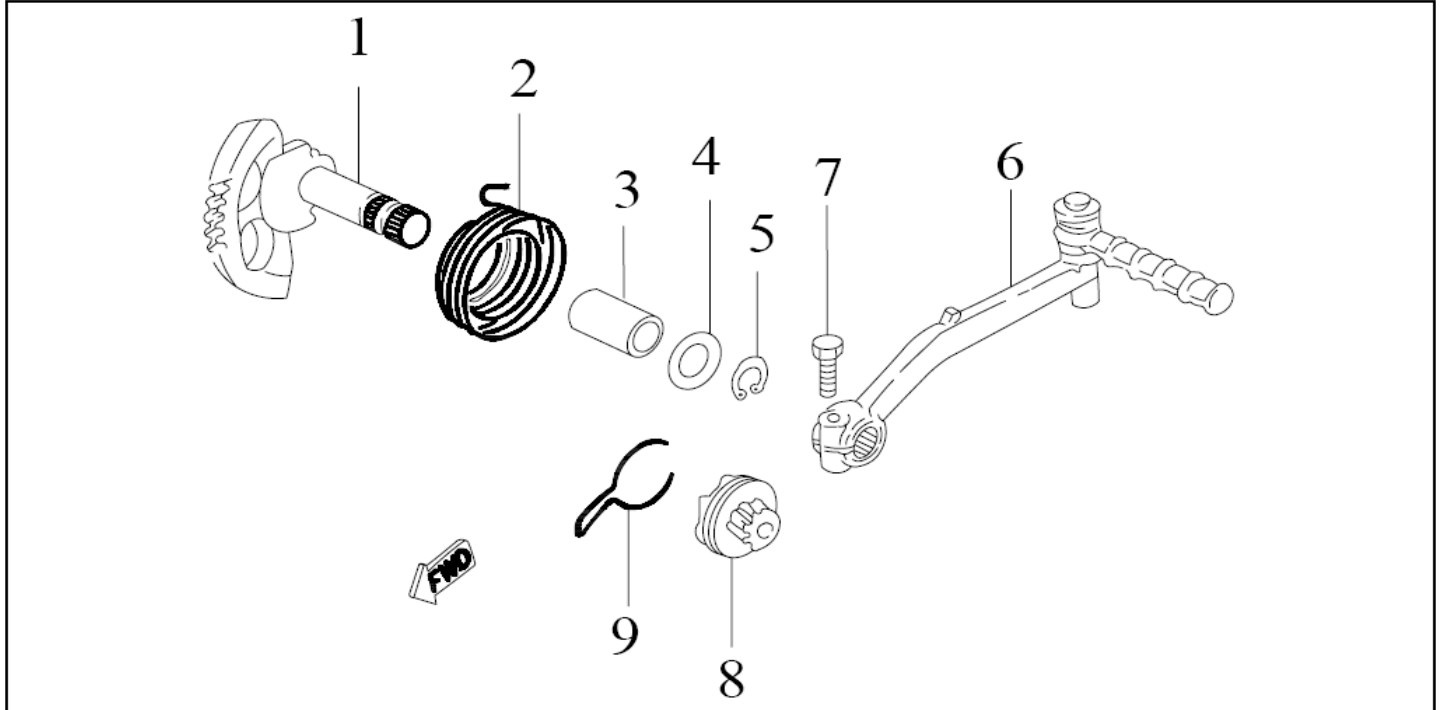
Item	Part No.	Part Name	Spec.	Q'ty
1	11341-A2C4-000	Protector, L. Crankcase Cover		1
2	11342-A2C4-000	Guide, Air Filter		1
3	11343-A2C4-00A	Filter Element, L. Crankcase		1
4	11340-A2C4-000	Cover, L. Crankcase		1
5	11395-A2C4-000	Gasket, L. Crankcase		1
6	90703-081014	Pin, Dowel	10x14	4
7	11344-A2C4-000	Shaft	8x31	1
8	11345-A2C4-000	Fixed Plate, Filter Element		1
9	94000-06100	Hex. Acorm Washer Face Nut	M6xP1.0	3
10	11200-A2C4-002	Crankcase, L.		1
11	97350-082021	Bush	8x20x21	1
12	11210-A2C4-000	Breather		1
13	11211-A2C4-000	Hose, Breather	5x100	1
14	90442-081515	Washer, Copper	8x15x1.5	1
15	92100-08016	Hex. Washer Face Bolt	M8x16	1
16	91300-138024	O-Ring	13.8x2.4	1

E-7, Crankcase



Item	Part No.	Part Name	Spec.	Q'ty
17	11212-A2C4-000	Plug, Oil		1
18	11400-A2C4-000	Cover, Transmission		1
19	11410-A2C4-000	Gasket, Transmission		1
20	91000-06025-05BN	Hex,Socket Bolt	M6x25(耐膠)	3
21	91000-06035	Hex,Socket Bolt	M6x35	8
22	90703-101216	Pin, Dowel	12x16	2
23	11100-A2C4-002	Crankcase, R.		1
24	11110-A2C4-000	Holder		1
25	91000-06010	Hex,Socket Bolt	M6x10	1
26	31121-A2C4-000	Gasket, A.C.G		1
27	91000-06025	Hex,Socket Bolt	M6x25	8
28	91000-06065	Hex,Socket Bolt	M6x65	1
29	11346-A2C4-000	Bolt, Special		2
30	97350-123538	Bush	12x35x38	2
31	17110-A2C4-000	Grommet		2
32	93700-05010	Bolt, Pan Head	M5*P1.0*10	2
33	17211-A2DL-000	Cover, Dust-Proof		1
34	91000-06035-05BN	Hex,Socket Bolt	M6x35(耐膠)	2

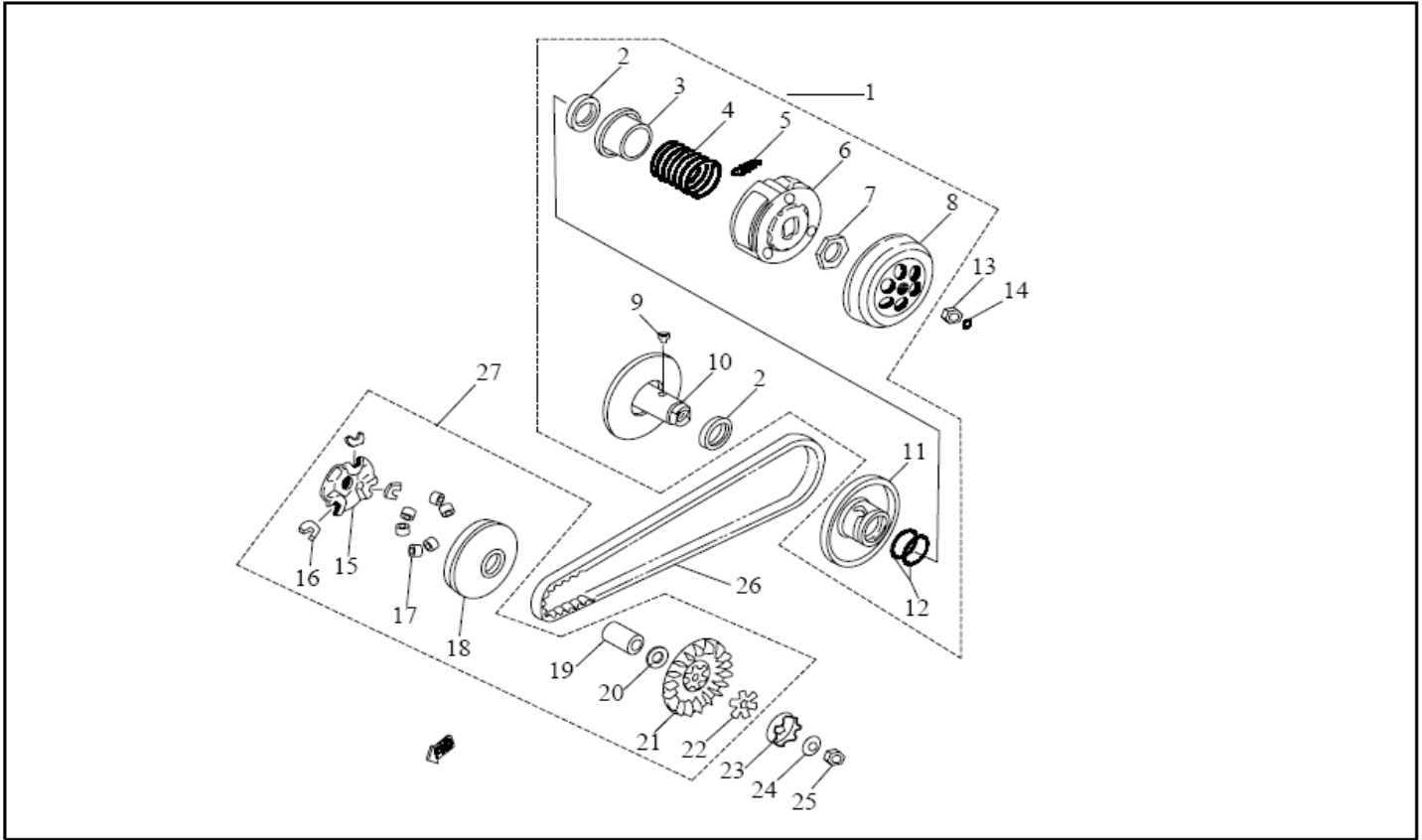
E-8, Starting



Item	Part No.	Part Name	Spec.	Q'ty
1	28211-A2C4-000	Kick Shaft Ass'y		1
2	28261-A2C4-000	Spring, Torsion		1
3	28251-A2C4-000	Bush, Kick Shaft	15x20x30	1
4	90426-152810	Washer, Plate	15.2x28x1	1
5	90600-STW15	Circlip	STW-15	1
6	28300-A2C4-000	Kick Camk Ass'y	競技型(LBD4)	1
7	92101-06022-0G	Hex. Bolt	M6x25	1
8	28221-A2C4-000	Kick Pinion Ass'y		1
9	28222-A2C4-000	Clip, Kick Pinion		1

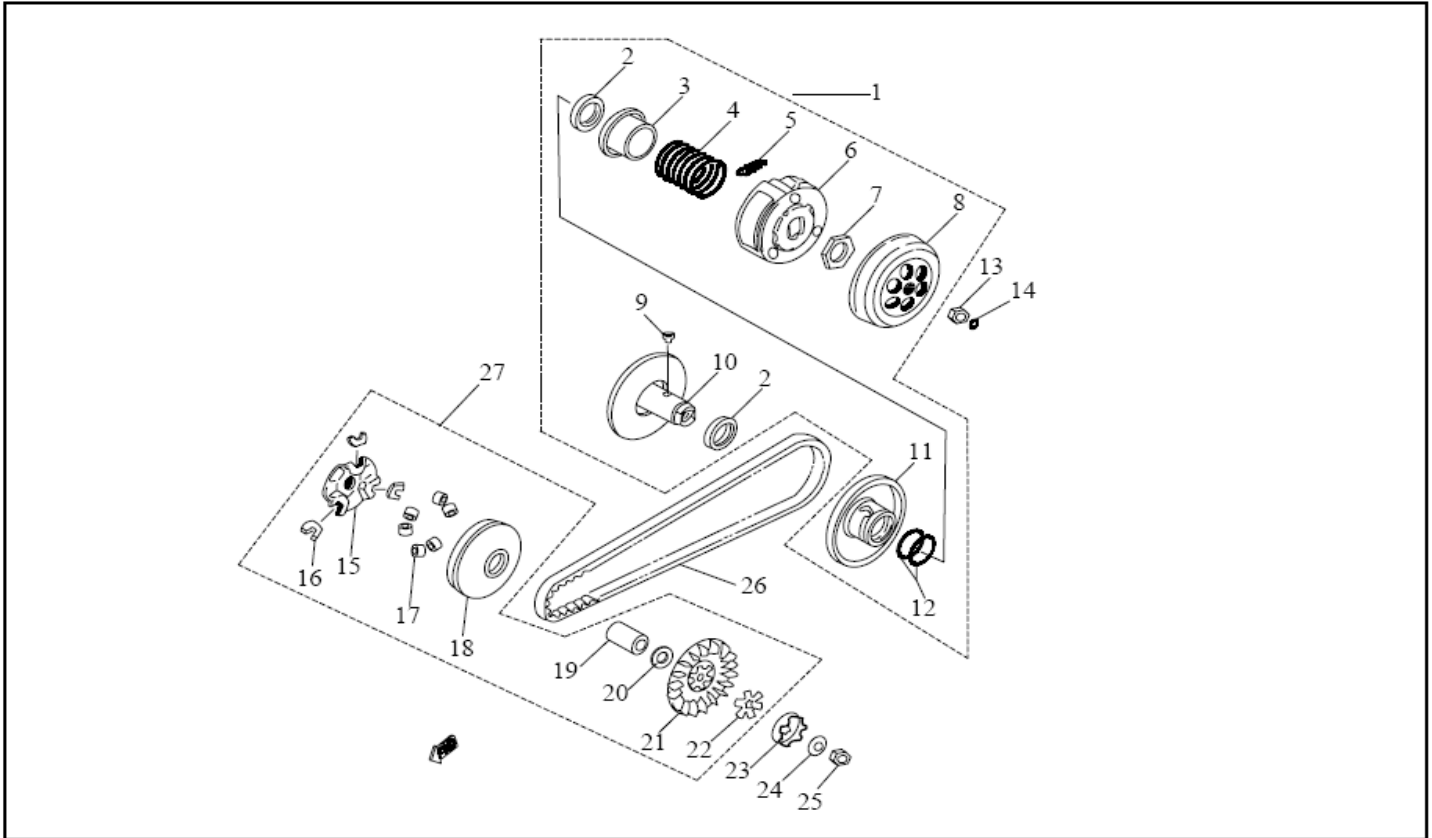


E-9, Clutch



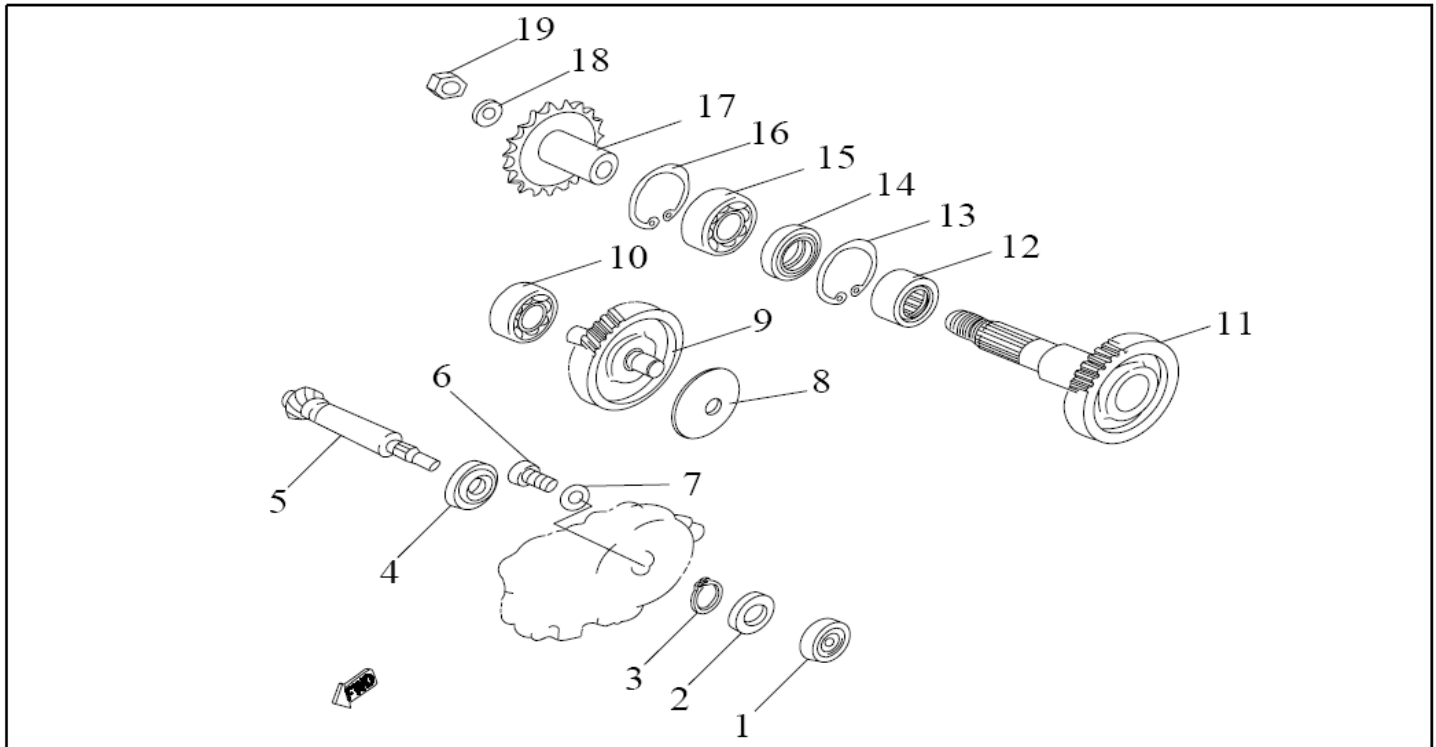
Item	Part No.	Part Name	Spec.	Q'ty
1	22300-A2C4-00E	Secondary Sheave Ass'y		1
2	91200-33394	Seal, Oil		2
3	22311-A2C4-000	Seat, Secondary Spring		1
4	22312-A2C4-001	Spring, Compression		1
5	22331-JOG-2000	Spring, Clutch Weight		3
6	22330-A2C4-00B	Carrier Ass'y, Clutch		1
7	22332-A2C4-000	Nut, Clutch		1
8	22340-A2C4-000	House, Clutch		1
9	22313-A2C4-000	Bearing, Ball		2
10	22310-A2C4-000	Fix Sheave Comp., Secondary		1
11	22320-A2C4-000	Sliding Sheave, Secondary		1
12	91300-360020	Oil-Ring		2
13	22341-10100	Hex. Acorn Nut	M10xP1.0	1
14	91300-125030	O-Ring	6.45x3.1	1
15	22411-A2C4-000	Plate, Cam		1
16	22412-A2C4-000	Slider, Cam Plate		3
17	22413-A2C4-050	Weight	5.0g	6
18	22410-A2C4-00A	Sliding Sheave, Primary		1

E-9, Clutch



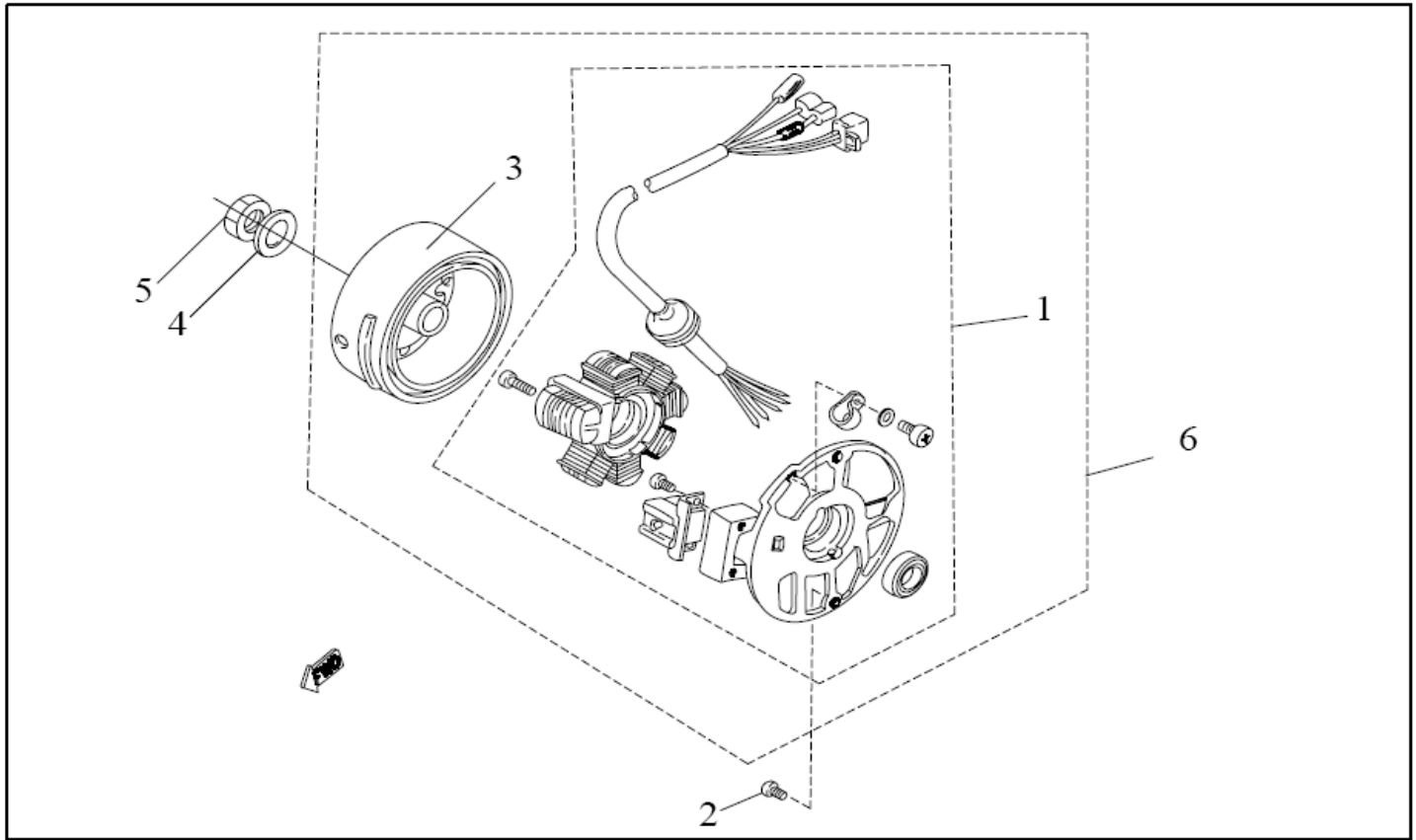
Item	Part No.	Part Name	Spec.	Q'ty
19	22414-A2C4-000	Collar	16x21x37.5	1
20	22415-A2DL-000	Sliding Sheave Washer, Clam	16x21x1	1
21	22420-A2C4-000	Fixed Sheave, Primary		1
22	22421-A2C4-000	Washer, Clam		1
23	22422-A2C4-000	Clutch, Oneway		1
24	94111-102426	Washer, Conical Spring	10.5x24x2.6	1
25	94100-10125	Hex. Acorm Nut	M10xP1.25	1
26	22500-A2C4-000	Belt, Drive	780x16.5x30	1
27	22400-A2C4-00E	Sliding Sheave, Ass'y		1

E-10, Transmission



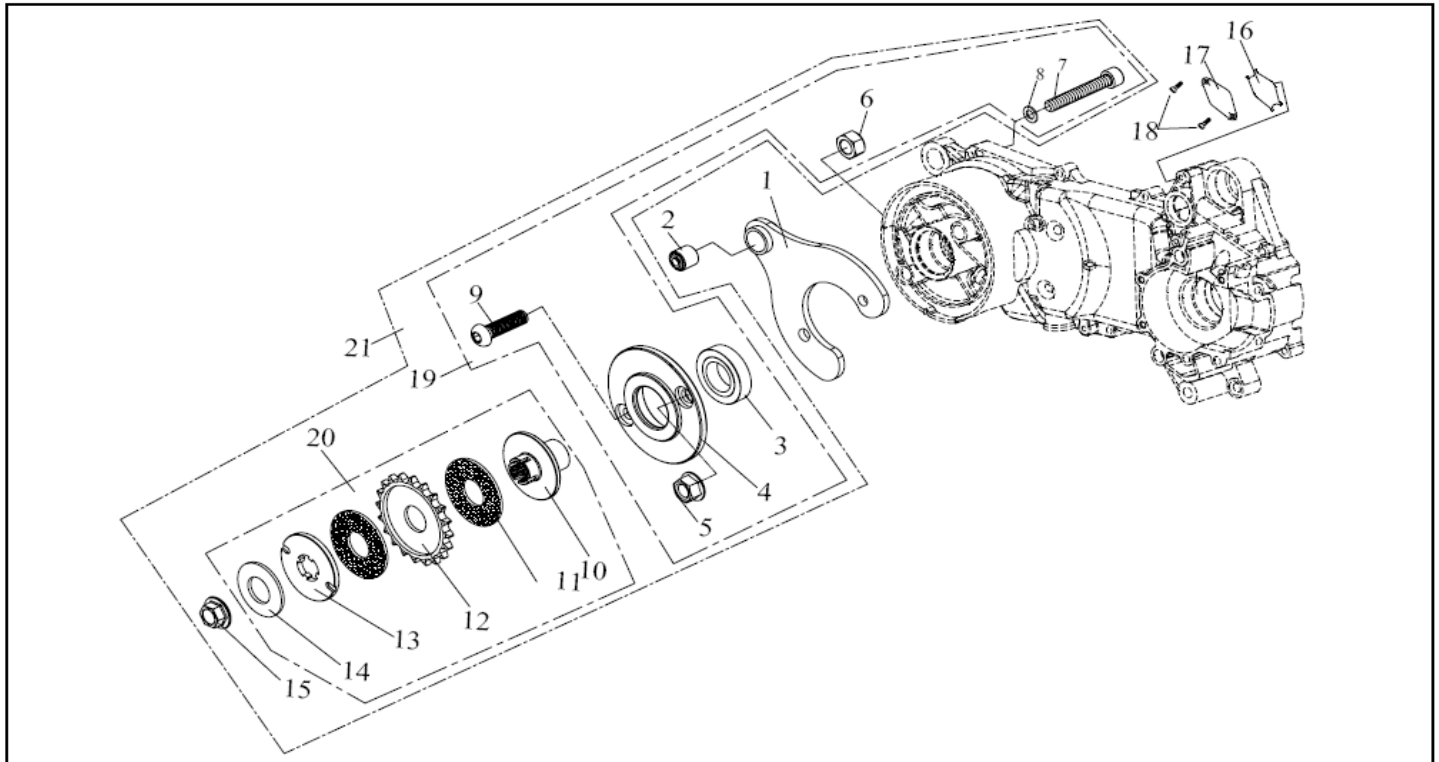
Item	Part No.	Part Name	Spec.	Q'ty
1	96210-638RD	Bearing, Ball	638RD	1
2	91200-172855	Seal, Oil	17x28x5.5	1
3	90500-S17	Circlip	S-17	1
4	96210-6003	Bearing, Ball	6003	1
5	23610-A2C4-0A0	Drive Gear, Primary	15T	1
6	91000-06010	Hex, Socket Bolt	M6x10	1
7	90426-061912	Washer, Plate	6.5x19x1.2	1
8	94111-126005	Washer, Conical Spring	12.3x60x0.5	1
9	23620-A2C4-0A0	Main Axle Comp.	11/47T	1
10	96210-6201	Bearing, Ball	6201	1
11	23630-A2C4-0A0	Gear, Driven	31T	1
12	96160-HMK2515	Bearing, Needle	HMK2515	1
13	90500-IRTW32	Circlip	IRTW-32	1
14	91200-253560	Seal, Oil	25x35x6	1
15	96210-6004LU	Bearing, Ball	6004LU	1
16	90500-RTW42	Circlip	RTW-42	1

E-11, Generator



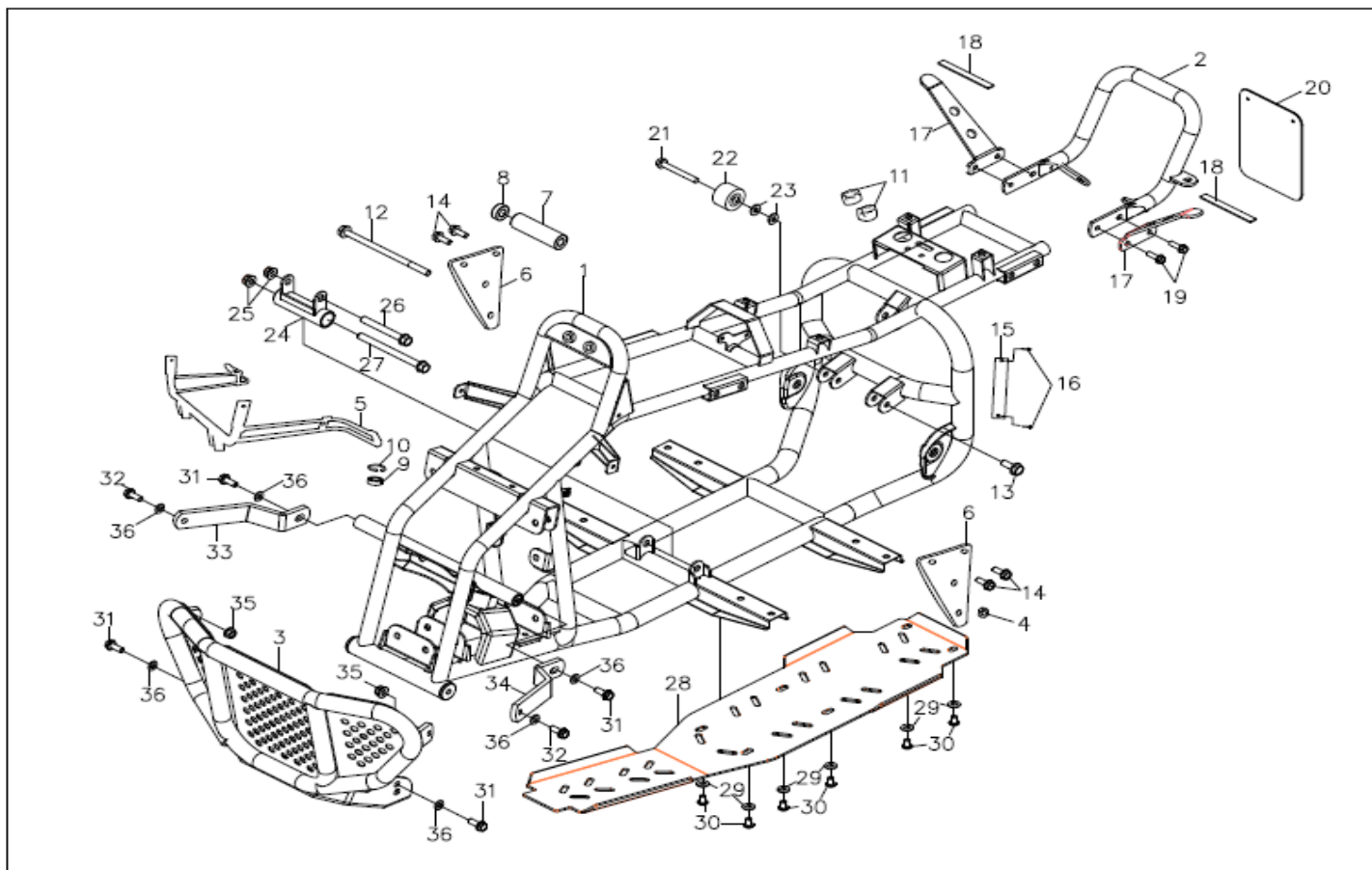
Item	Part No.	Part Name	Spec.	Q'ty
1	31120-A2C4-00B	Base Ass'y, Generator		1
2	91000-06016	Hex,Socket Bolt	M6x16	2
3	31100-A2B-000	Wheel, Fly		1
4	90426-102216	Washer, Plate	10x22x1.6	1
5	94100-10125	Hex. Acorn Nut	M10xP1.25	1
6	31000-A2B-00B	Generator Ass'y		1

E11, Crankcase Bracket, Gear Clutch



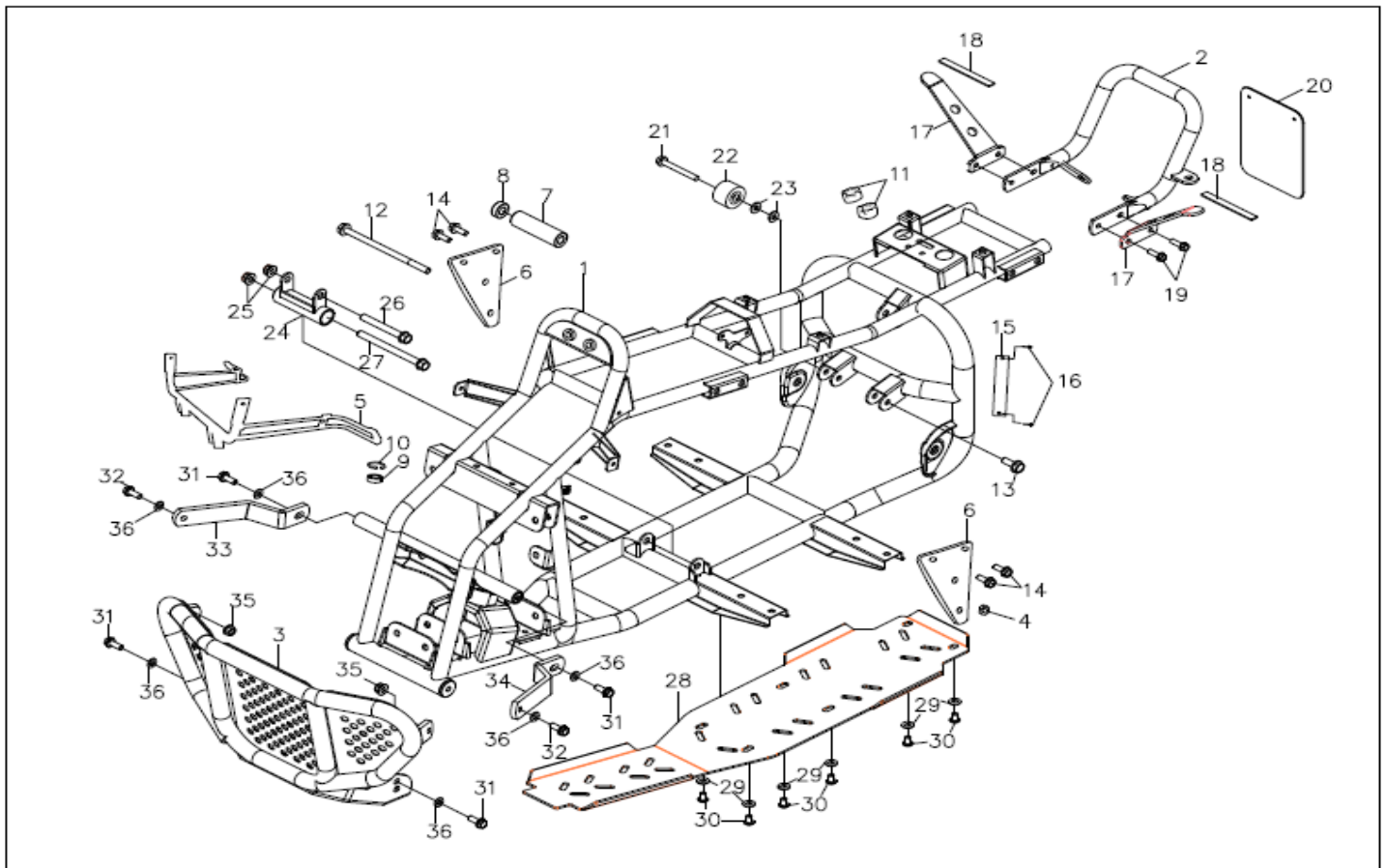
Item	Part No.	Part Name	Spec.	Q'ty
1	11347-A2C4-00A	Bracket, Crankcase		1
2	97350-082021	Bush	8x20x21	1
3	96210-6028	Bearing, Ball	6028	1
4	11349-A2DL-00A	Gear Holder		1
5	94001-10A14-08	Nut, Hex. Acorm Washer Face	M10xP1.25	1
6	NU-12019-C	Nut, Insert Lock	M12xP1.75	1
7	91000-10060-28L	Hex,Socket Bolt	M10x60	1
8	90442-101515	Washer, Copper	10.2*15*1.5	1
9	PZB340-120450-0C	Hex,Socket Bolt	M12x45	1
10	23804-A2B-002	Sprocket Holder	18T	1
11	23805-A2B-001	Brake Pad		2
12	23801-A2B-00C1	Sprocket	20T	1
13	23802-A2B-000	Friction Plate		1
14	94106-23051-04	Spring Washer	33x50x4	1
15	94053-14-32B	Nut	M14xP1.5	1
16	31210-A2DL-000	Gasket, fixed Plate		1
17	31211-A2C4-000	Plate, Fixed		1
18	91000-06010	Hex. Socket Bolt	M6x10	2
19	11349-A2DL-A00	Gear Holder Ass'y		1
20	A23801-A2B-000	Sprocket, Ass'y		1
21	A23800-A2DL-000	Gear Clutch Ass'y		1

F1, Frame Body (ESC)



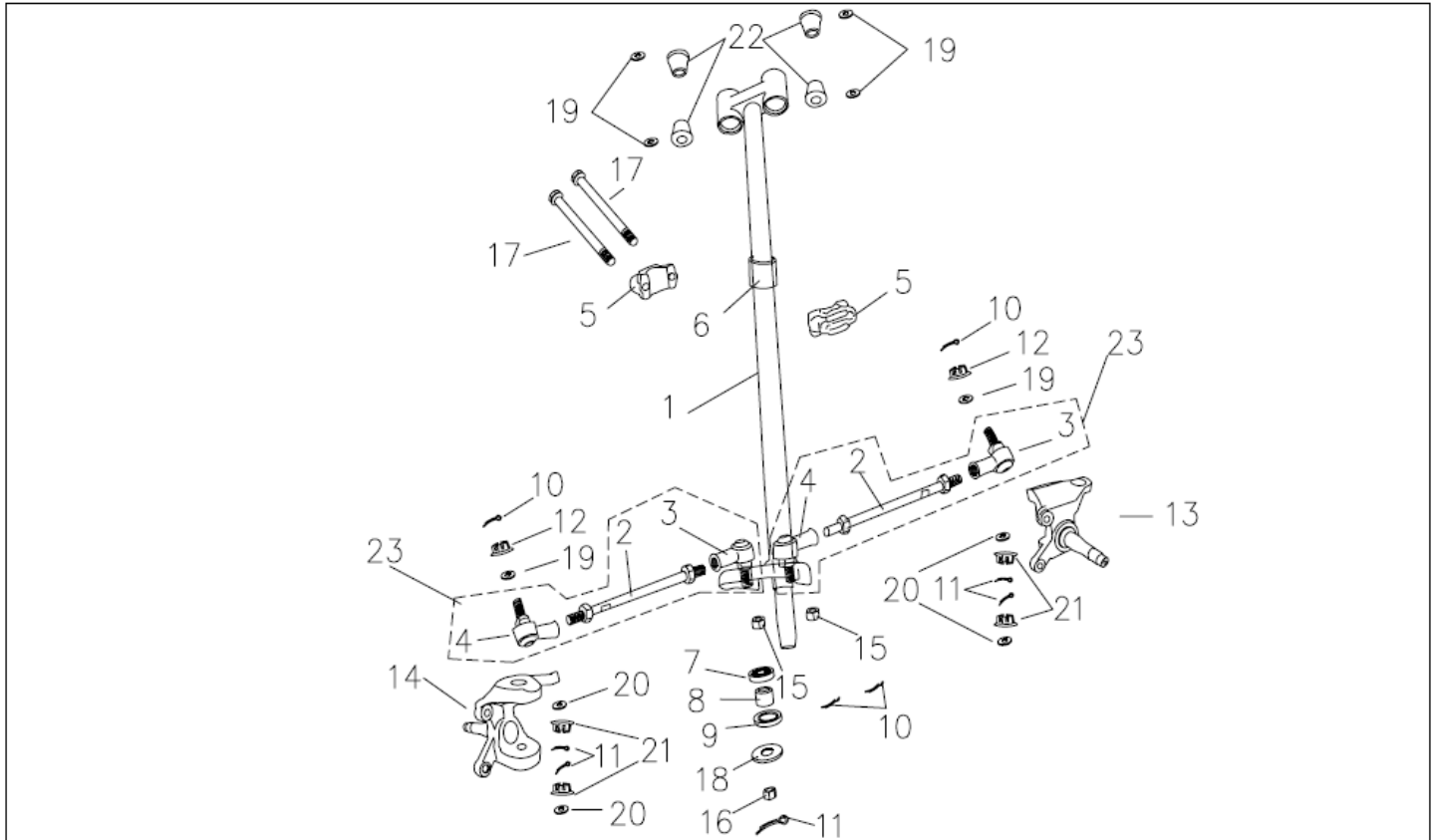
Item	Part No.	Part Name	Spec.	Q'ty
1	50100-7A1-00A	Frame Body	BLACK	1
2	50400-7A1-000-SI	Rear Carrier	AL SILVER	1
3	50200-7A1-000	Bumper	AL, SILVER	1
4	90350U-12017	Nut, Flange Insert Lock	M12×P1.25	1
5	50710-3AR-BKB	Bracket, Fender	BLACK	1
6	50110-3AR-000	Mounting Plate, Engine		2
7	50150-1317103	Spacer, Crankcase	12.5×17×103	1
8	50150-1322020	Spacer, Crankcase	12.5×22×20	1
9	96140-6002ZZ	Bearing, Ball	6002ZZ	1
10	94520-32000	Clip, Cir.	RTW-32	1
11	50524-3AR-000	Rubber Absorber, Seat	13×37×23	2
12	95701-12222	Bolt ,Hex. Flange	M12×222	1
13	95801-08038-07	Bolt ,Hex. Flange	M8×38	1
14	95701-08012-07	Bolt ,Hex. Flange	M8×12	8
15	19140-3AR-10E	VIN Plate	100cc	1
16	96202-0312	Nail		2
17	50500-7A1-000	Bracket, Grab Bar	AL SILVER	2
18	50501-7A1-000	Rubber, Damper	100×15×7t	2

F1, Frame Body



Item	Part No.	Part Name	Spec.	Q'ty
19	95801-08020-12B	Bolt ,Hex. Flange	M8×20	3
20	64355-7A1-000-WH	Washer, Plate	白色	1
21	95801-08066-97	Bolt ,Hex. Flange	M8*P1.25-66L	1
22	40531-3224-08	Roller	Ø32xL24xØ8	1
23	94101-08518-23B	Washer, Plate	8.5*18*2.3	2
<b>(24)</b>	<b>50120-3AR-000</b>	<b>Bottom Mount, Engine (OPTION)</b>		<b>1</b>
<b>(25)</b>	<b>90350U-10014</b>	<b>Washer, Plate (OPTION)</b>	<b>M10*P1.25</b>	<b>2</b>
<b>(26)</b>	<b>95811-10080-0G</b>	<b>Bolt ,Hex. Flange (OPTION)</b>	<b>M10*P1.25-80L</b>	<b>1</b>
<b>(27)</b>	<b>95801-10120-0G</b>	<b>Bolt ,Hex. Flange (OPTION)</b>	<b>M10*P1.25-120L</b>	<b>1</b>
<b>(28)</b>	<b>50105-7A1-000</b>	<b>Skid Plate, Frame (OPTION)</b>		<b>1</b>
<b>(29)</b>	<b>94101-0616-10B</b>	<b>Washer, Plate (OPTION)</b>	<b>6.3*16*1.0</b>	<b>6</b>
<b>(30)</b>	<b>91001-06016-04B</b>	<b>Hex,Socket Bolt (OPTION)</b>	<b>M6*P1.0-16L</b>	<b>6</b>
31	95701-08020-12B	Bolt ,Hex. Flange	M8*P1.25-20L	4
32	95701-08030-12B	Bolt ,Hex. Flange	M8*P1.25-30L	2
33	50202-7A1-000	R. Stay, Bumper		1
34	50201-7A1-000	L. Stay, Bumper		1
35	NN08013B	Nut, Hex Lock	M8*P1.25	2
36	94101-08016-15B	Washer, Plate	8.2*16*1.5	6

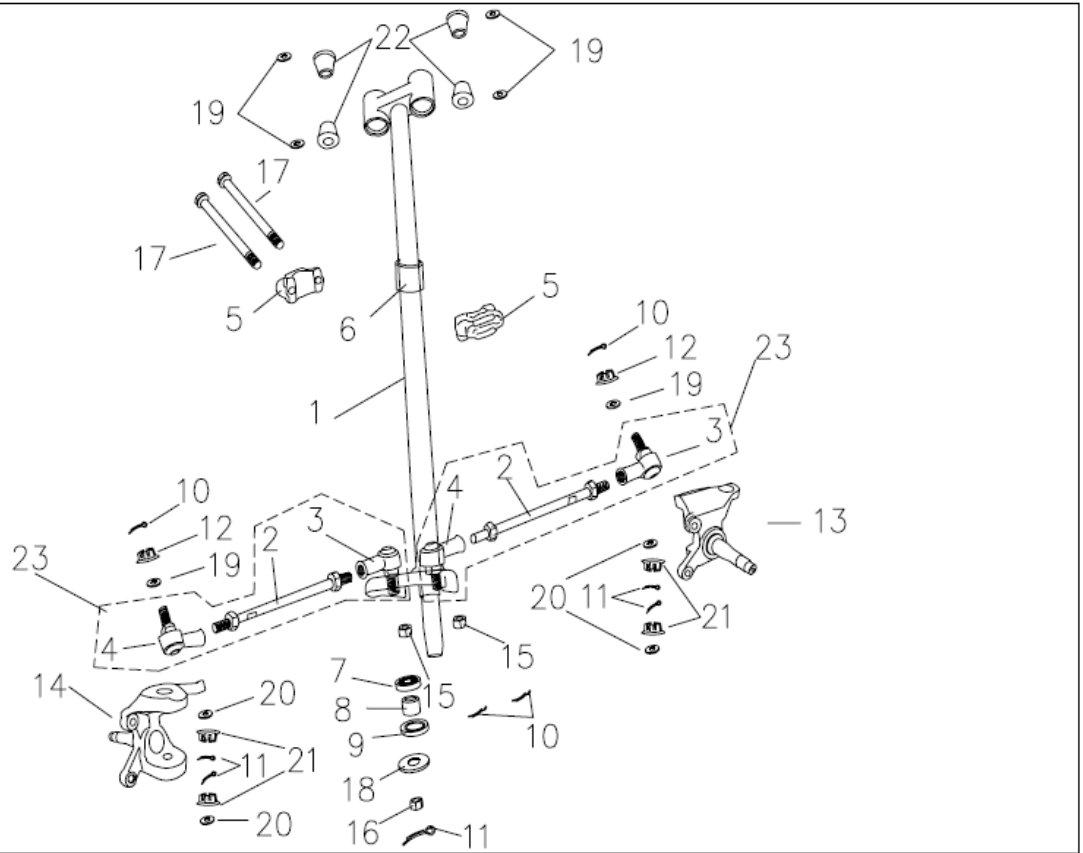
F2, Steering



Item	Part No.	Part Name	Spec.	Q'ty
1	53200-3AR-BKB	Steering Shaft	BLACK	1
2	54120-7A1-000	Tie Rod	AL 290mm	2
3	54121-3AR-000	R.H. Joint, Universal		2
4	54122-3AR-000	L.H. Joint, Universal		2
5	53330-3AR-000	Holder, Steering Shaft		2
6	53210-3AR-000	PU Seal, Steering		1
7	91258-183207	Seal, Oil	18×32×7	1
8	50150-1522015	Spacer, Inner	15×22×15	1
9	91258-223507	Seal, Oil	22×35×7	1
10	94201-25275	Cotter Pin	2.5×27.5	4
11	94201-32425	Cotter Pin	3.2×42.5	5
12	90351-10080-18	Nut, Castle	M10×P1.25	2
13	54150-3AR-00B	R. Knuckle	Disc Brake	1
14	54250-3AR-00B	L. Knuckle	Disc Brake	1
15	90350U-10014	Nut, Flange Insert Lock	M10×P1.25	2
16	90350U-14000	Nut, Flange Insert Lock	M14×P1.5	1
17	95801-08066-97	Bolt ,Hex. Flange	M8×66	2
18	94101-1440020K	Washer, Plate	14×40×2.0	1
19	94101-102210-10	Washer, Plate	10*22*1.0	2

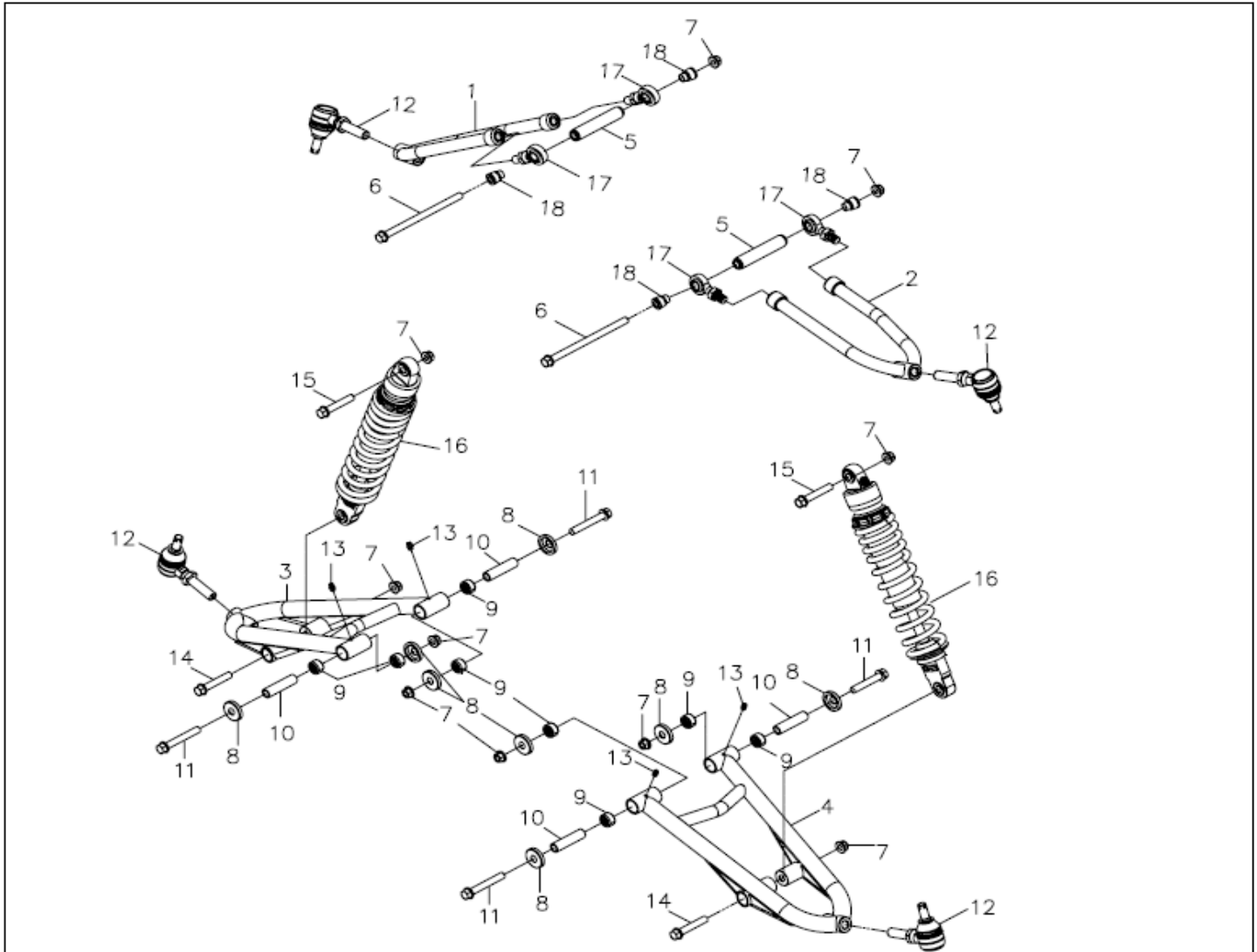


F2, Steering



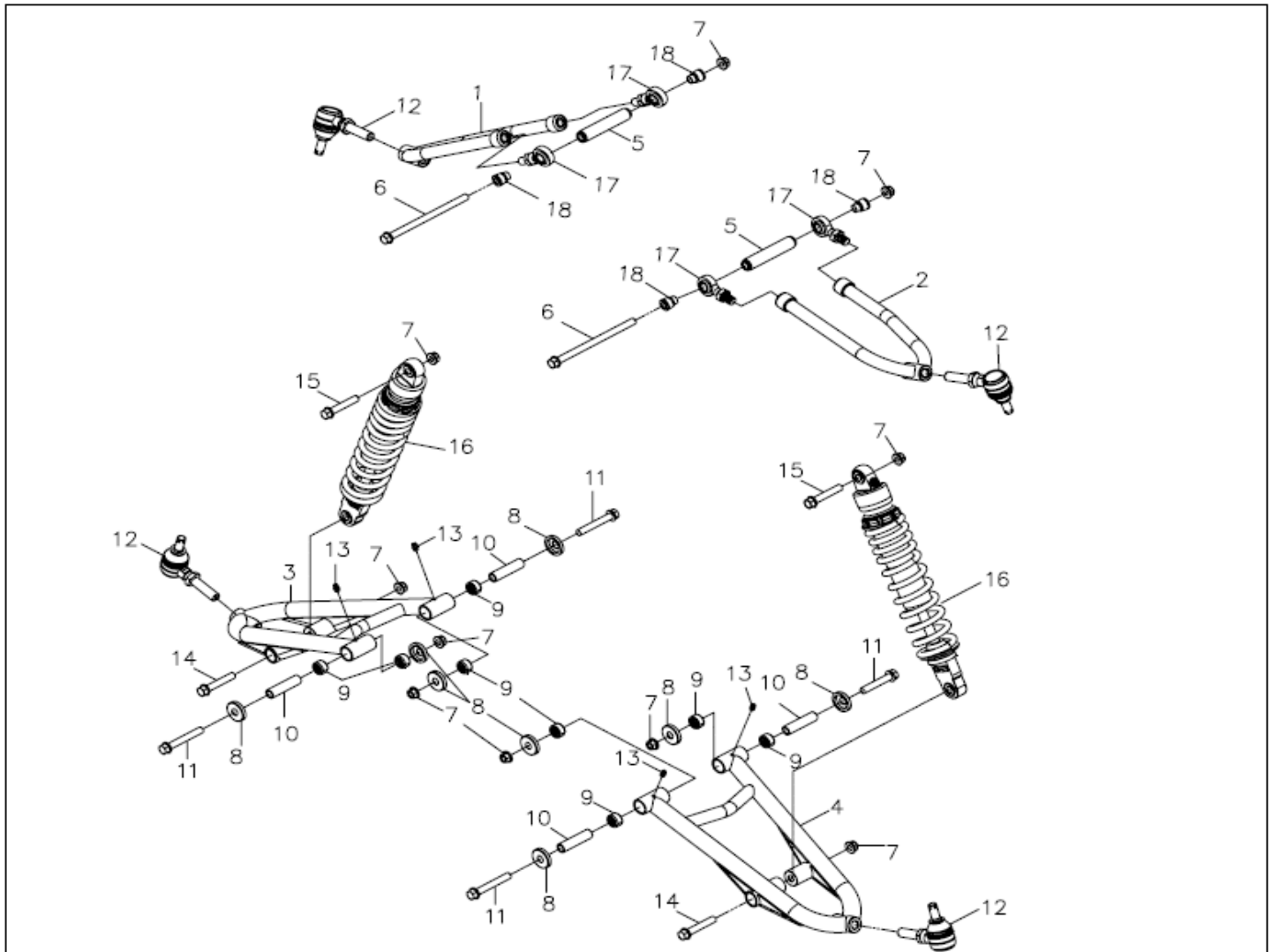
Item	Part No.	Part Name	Spec.	Q'ty
20	94101-1225020	Washer, Plate	M12*25*2	4
21	90351-12000K	Nut, Castle	M12*1.25	4
22	53333-AMCO-000	Rubber Absorber		4
23	54110-7A1-29A	Tie Rod Ass'y		2

F3, Suspension Arm



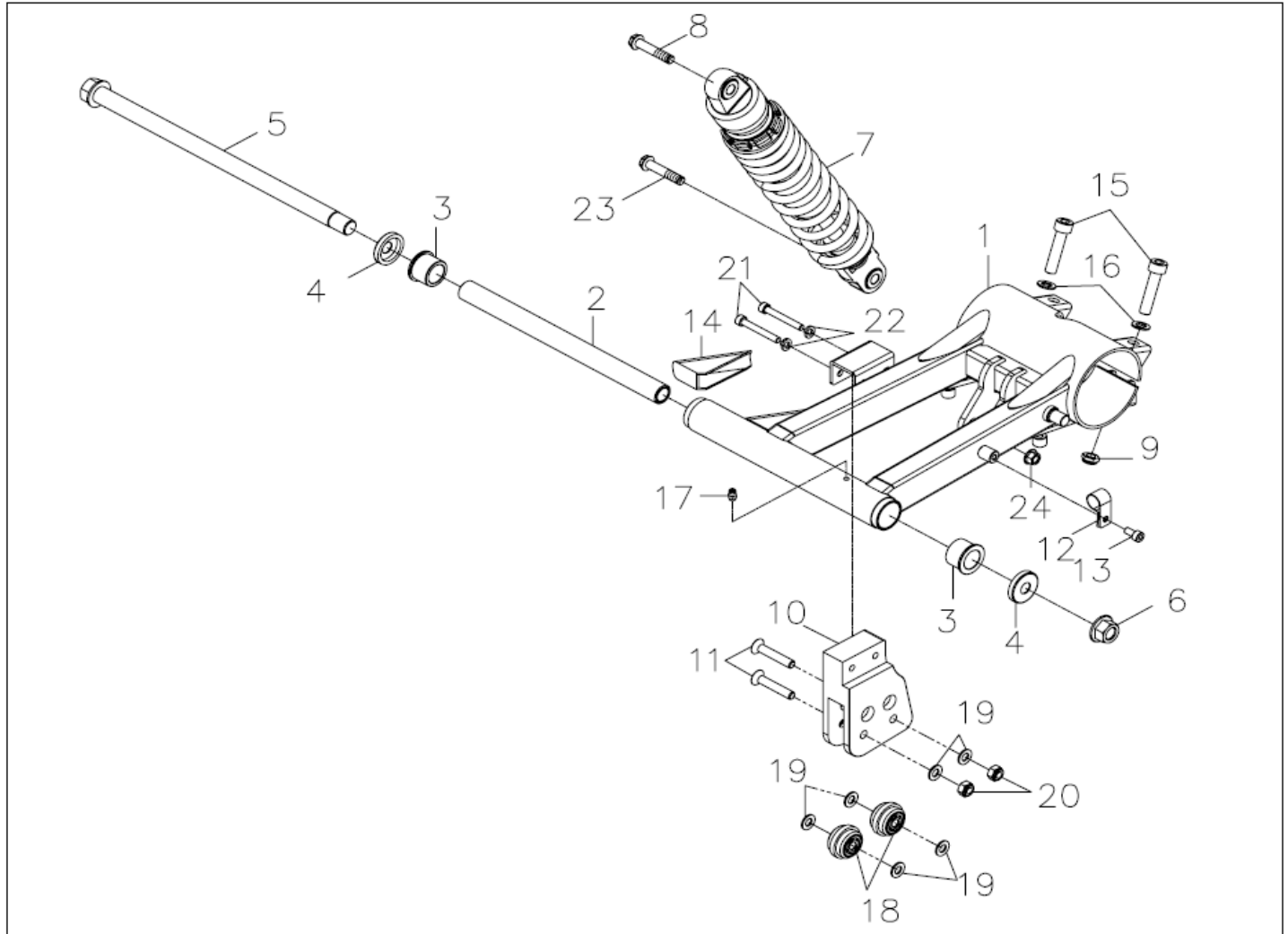
Item	Part No.	Part Name	Spec.	Q'ty
1	54300-7A1-001-BK	Upper R. Arm, Suspension	BLACK	1
2	54400-7A1-001-BK	Upper L. Arm, Suspension	BLACK	1
3	54500-7A1-00A-BK	Bottom R. Arm, Suspension	BLACK	1
4	54600-7A1-00A-BK	Bottom L. Arm, Suspension	BLACK	1
5	54330-10019-96AL	Spacer A, Suspension Arm	10.2×19×96	2
6	95801-10162-14G	Bolt ,Hex. Flange	M10×162L	2
7	90350U-10014	Nut, Flange Insert Lock	M10×P1.25	10
8	52310-OS-3495	Seal, Dustproof		8
9	96160-HK1512	Bearing, Needle	HK-1512-21	8
10	54340-7A1-00A	Spacer B, Suspension Arm	10.2×15×53.5	4
11	95911-10075-OG	Bolt ,Hex. Flange	M10×75	4
12	54360-3AR-000	Joint, Ball		4
13	96201-10000-18	Nipple		4

F3, Suspension Arm



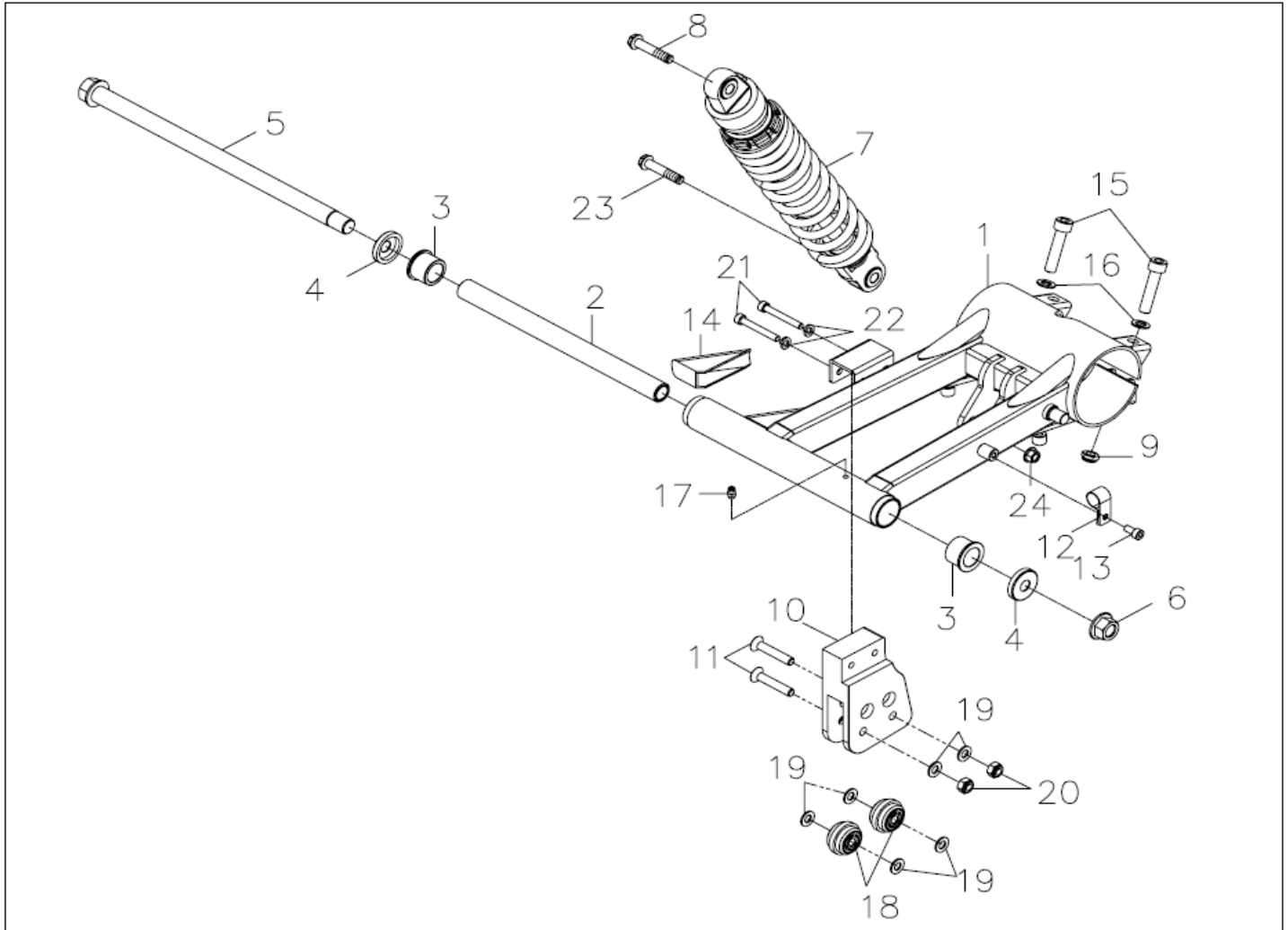
Item	Part No.	Part Name	Spec.	Q'ty
14	91000-10065	Bolt ,Hex. Flange	M10×65	2
15	95801-10042-97K	Bolt, Hex. Flange	M10x42	2
16	51400-7A1-00C	Shock Absorber, Front	370mm, 250 lb	2
<b>(16)</b>	<b>51400-7A1-00B</b>	<b>Shock Absorber, Front (OPTION)</b>	370mm, W extra tank (option)	<b>2</b>
17	54365-8B2-A00	Bearing, Spherical	1/2"-20UNF	4
18	54335-7MA-000	Spacer C, Suspension Arm		4

F4, Swing Arm



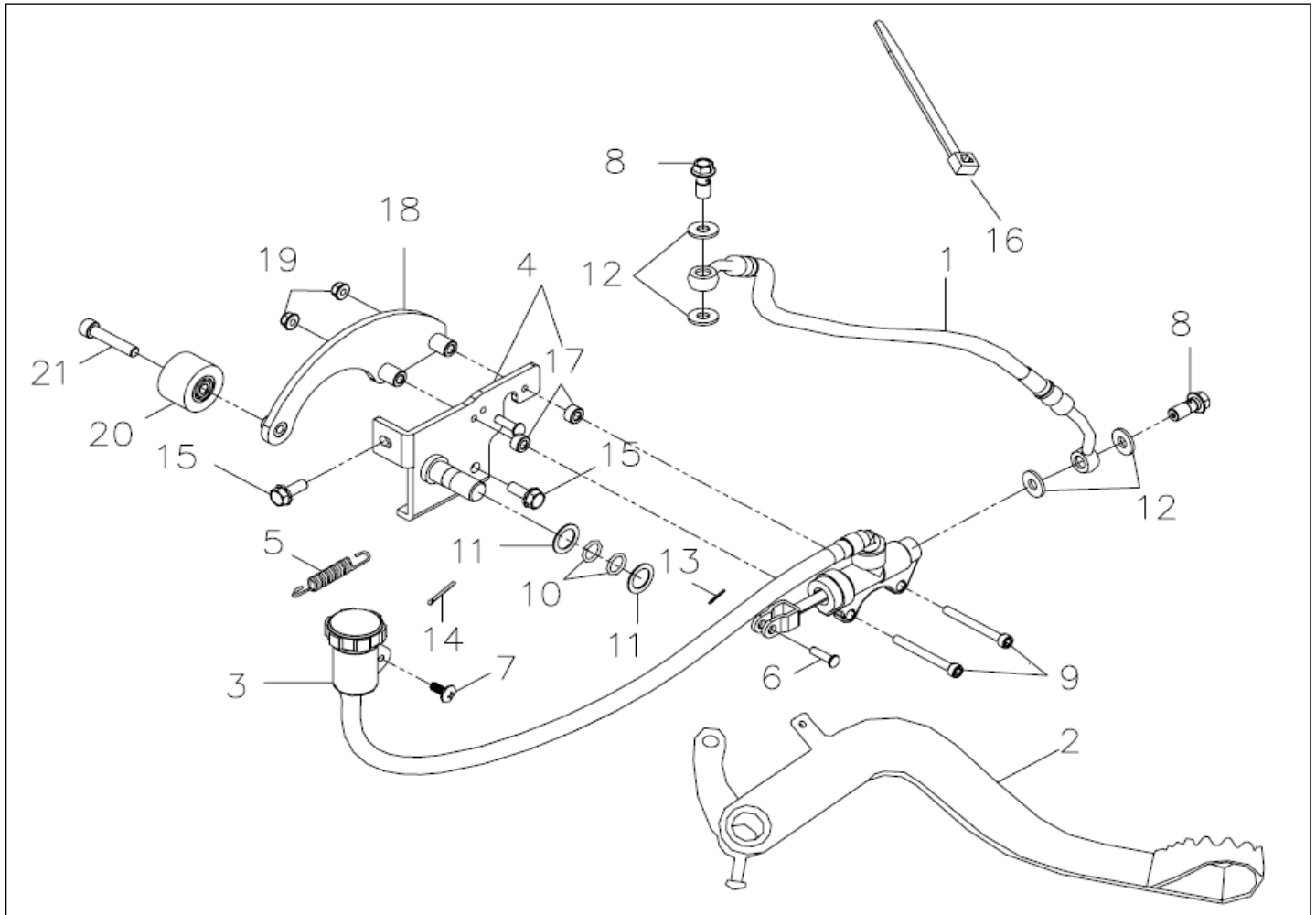
Item	Part No.	Part Name	Spec.	Q'ty
1	52200-7A1-002-BK	Arm, Swing	BLACK	1
2	52210-3AR-000	Spacer, Swing Arm	14.1×20×253	1
3	52220-3AR-000	Bush, Swing Arm	20.1×27.6×20	2
4	52310-OS-8234	Seal, Dustproof	14x38.5x30.8	2
5	95802-14290	Bolt ,Hex. Flange	M14×290	1
6	90350U-14000	Nut, Flange Insert Lock	M14xP1.5	1
7	52400-7A1-00D	Shock Absorber, Rear	370mm, 300 lb	1
(7)	<b>52400-7A1-00E</b>	<b>Shock Absorber, Rear (OPTION)</b>	370mm, W extra tank (option)	<b>1</b>
8	95801-10035-9GL	Bolt, Hex. Flange	M10x35	1
9	90350U-10014-10	Nut, Flange Insert Lock	M10×P1.25	2
10	40520-7A1-001	Guide, Chain		1
11	91733-08050-06B	Bolt, Hex. Socket	M8xP1.25x50L	2
12	47211-7A1-000	Clamp, Hose		1
13	91000-06010-07	Bolt, Hex. Socket	M6x10L	1
14	52320-3AR-000	Rubber Sleeve	31.7×38×65	1

F4, Swing Arm



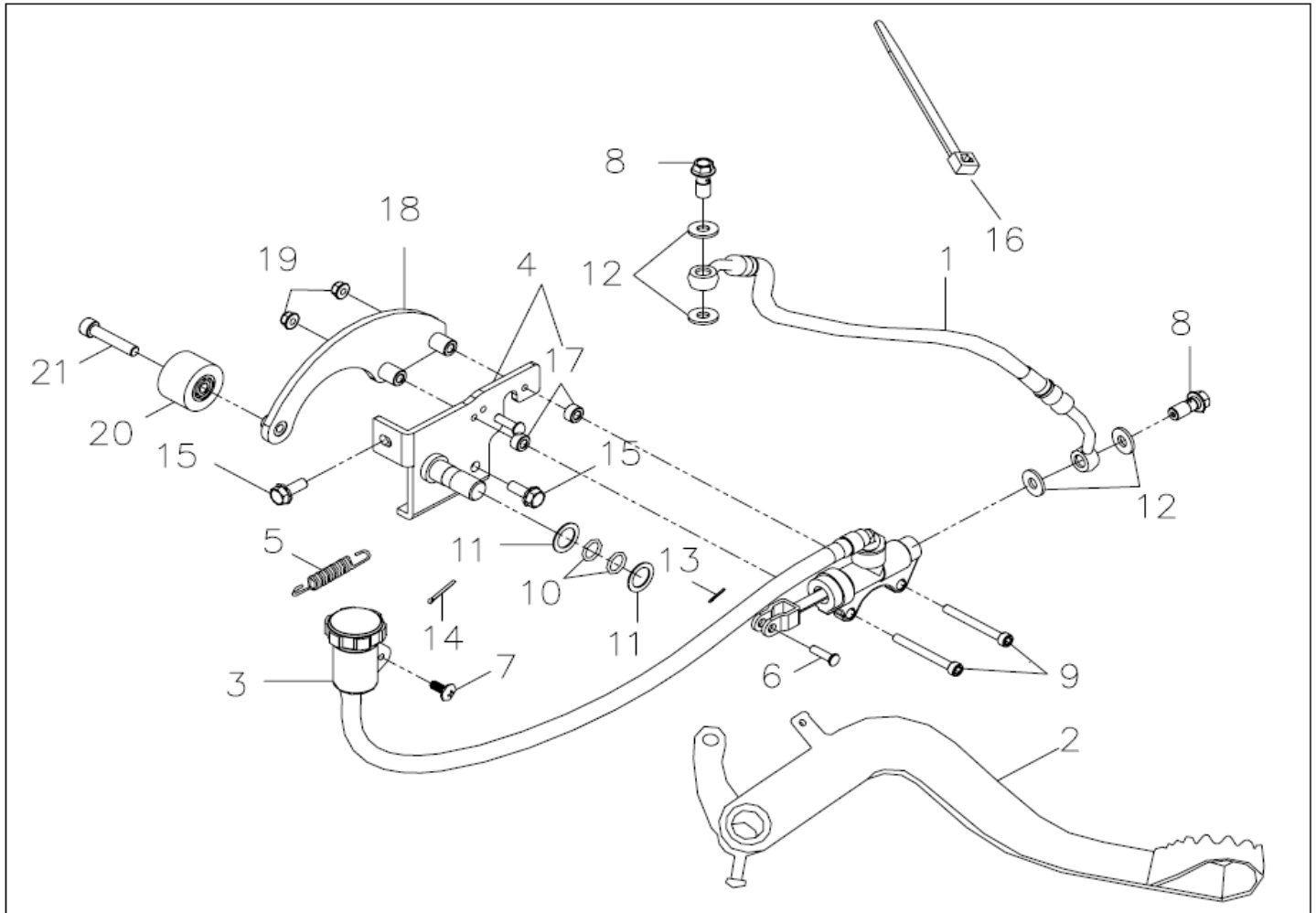
Item	Part No.	Part Name	Spec.	Q'ty
15	91000-10080-08B	Bolt, Hex. Socket	M10x1.25x80L	2
16	94101-10022-20B	Washer, Plate	10x22x2.0	2
17	96201-10000-18	Nipple		1
18	40531-3420-08	Roller Ass'y, Chain	Ø34xL20xØ8	2
19	94101-08016-15B	Washer, Plate	8.5x16x1.5	6
20	NN-08013-B	Nut, Hex Lock	M8x1.25P	2
21	91000-06045-05B	Bolt, Hex. Socket	M6xP1.0x45L	1
22	SW-06515B	Sping Washer	6.5x1.5	2
23	96000-10048	Bolt, Hex. Flange	M10xP1.25x48L	1
24	90350U-10014	Nut, Flange Insert Lock	M10xP1.25	1

F5, Pedal, Rear Disc Brake



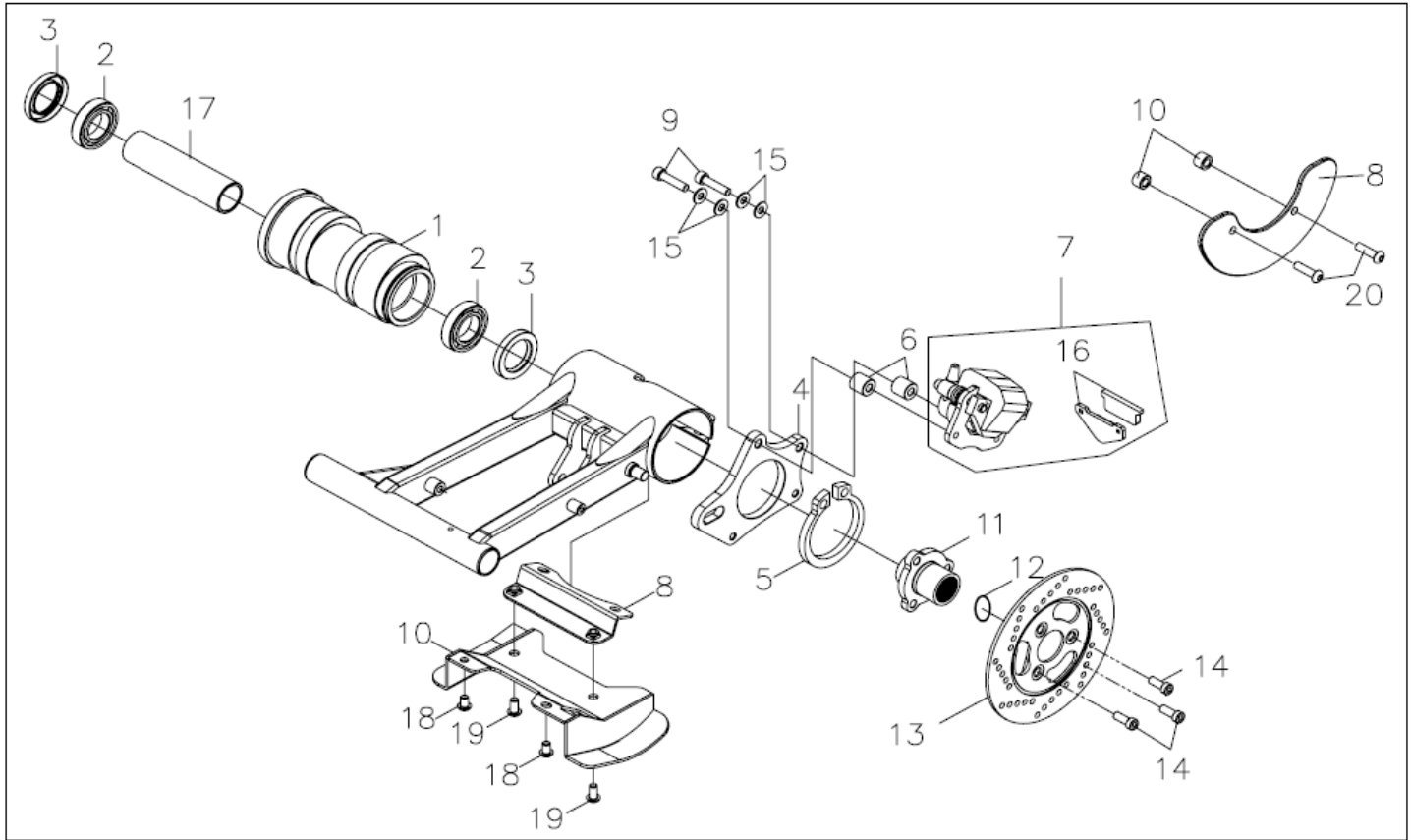
Item	Part No.	Part Name	Spec.	Q'ty
1	45127-7MA-000	Hose, Foot Brake	760 , Stainless	1
2	45530-3AR-BKA	Pedal, Brake	BLACK	1
3	45520-3AR-00A	Master Cylinder Ass'y, Foot Brake	Pedal Brake	1
4	45540-3AR-BKA	Bracket, Foot Brake	BLACK	1
5	45542-3AR-000	Spring, Foot Brake	1.3*9*70	1
6	74001-07020-00	Pin, Foot brake Master Cylinder	7x20	1
7	90005-06012-17	Bolt, Flate	M6*12	1
8	90145-MS9-6110-M	Bolt, Brake Hose	M10×22	2
9	91000-06055-05B	Bolt, Hex. Socket	M6×55	2
10	91300-016020	Ring, Oil	16x20x2	2
11	94101-162410-K8	Washer, Plate	16x24x1	2
12	94104-10140-CU	Washe, Copper	10.2×14×1.0	4
13	94201-01827	Cotter Pin	1.8x2.7	1
14	94201-32425	Cotter Pin	3.2×42.5	1
15	95701-08012-07	Bolt ,Hex. Flange	M8×12	2

F5, Pedal, Rear Disc Brake



Item	Part No.	Part Name	Spec.	Q'ty
16	89020-3AR-000	Strap	ALT-200MM	2
17	50150-0715-06C	Bracket, Foot Brake spacer	7x15x6	2
18	40500-7A1-00A	Stay, Chain Roller		1
19	90350-06U-10B	Nut, Flange Insert Lock	M6×P1.0	2
20	40531-4129-08	Roller, Chain	Ø38xL25xØ8	1
21	91000-08040-06BN	Bolt, Hex. Socket	M8xP1.25x40L	1

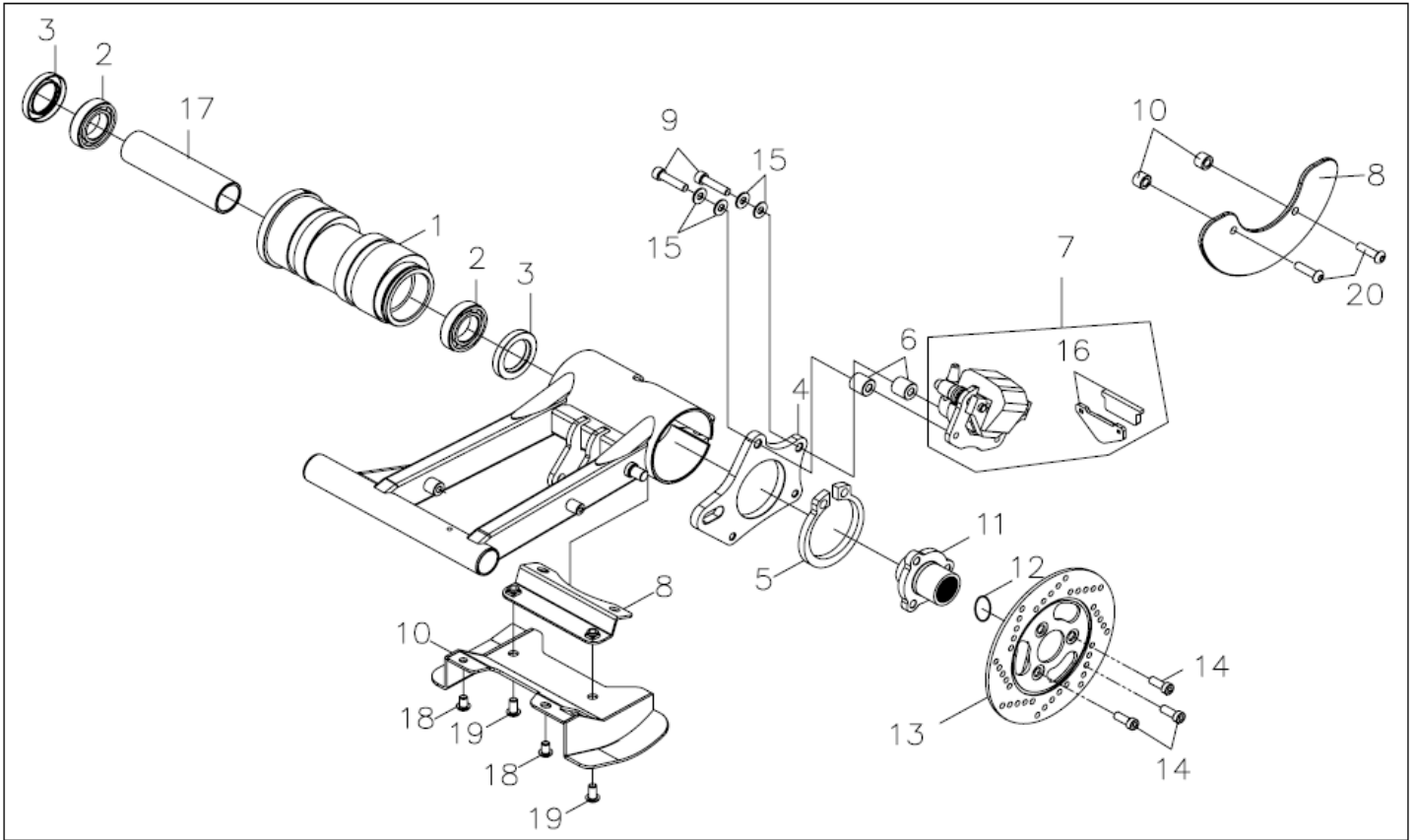
F6, Bearing Housing, R. Disc Brake



Item	Part No.	Part Name	Spec.	Q'ty
1	42636-7A1-000	Housing, Rear Axle Bearing		1
2	96140-6006ZZ	Bearing, Ball	6006ZZ	2
3	91258-355508	Seal, Oil	35×55×8	2
4	45290-7A1-00A	Bracket, Caliper		1
5	94510-STW-68	Clip, Cir.	STW-68	1
6	50150-0819-16B	spacer, Caliper Ass'y	8*19*15L	2
7	45250-7A1-A00-RE	Caliper Ass'y, Rear Brake		1
8	45122-7A1-00A~01	Protector, Brake Disc	BLACK	1
<b>(8)</b>	<b>52206-7A1-000</b>	<b>Stay, Swing Arm Skid Plate (OPTION)</b>	<b>MX2009-A</b>	<b>1</b>
9	91000-08035-06G	Bolt, Hex. Socket	M8×35	2
10	50150-0816-12B	Spacer R, Master Cylinder	8.5x16x1.5	2
<b>(10)</b>	<b>52205-7A1-000</b>	<b>Skid Plate, Swing Arm (OPTION)</b>		<b>1</b>
11	42625-3AR-000	Bracket, Rear Brake Disc	P62×38	1
12	42340-3AR-000	Ring,Axle		1
13	45121-3AR-000	Disc, Rear Brake	180×38×62	1
14	91000-10014-97K	Bolt, Hex. Socket	M10×14	3
15	90426-081816	Washer, Plate	8.2*18*1.6	4

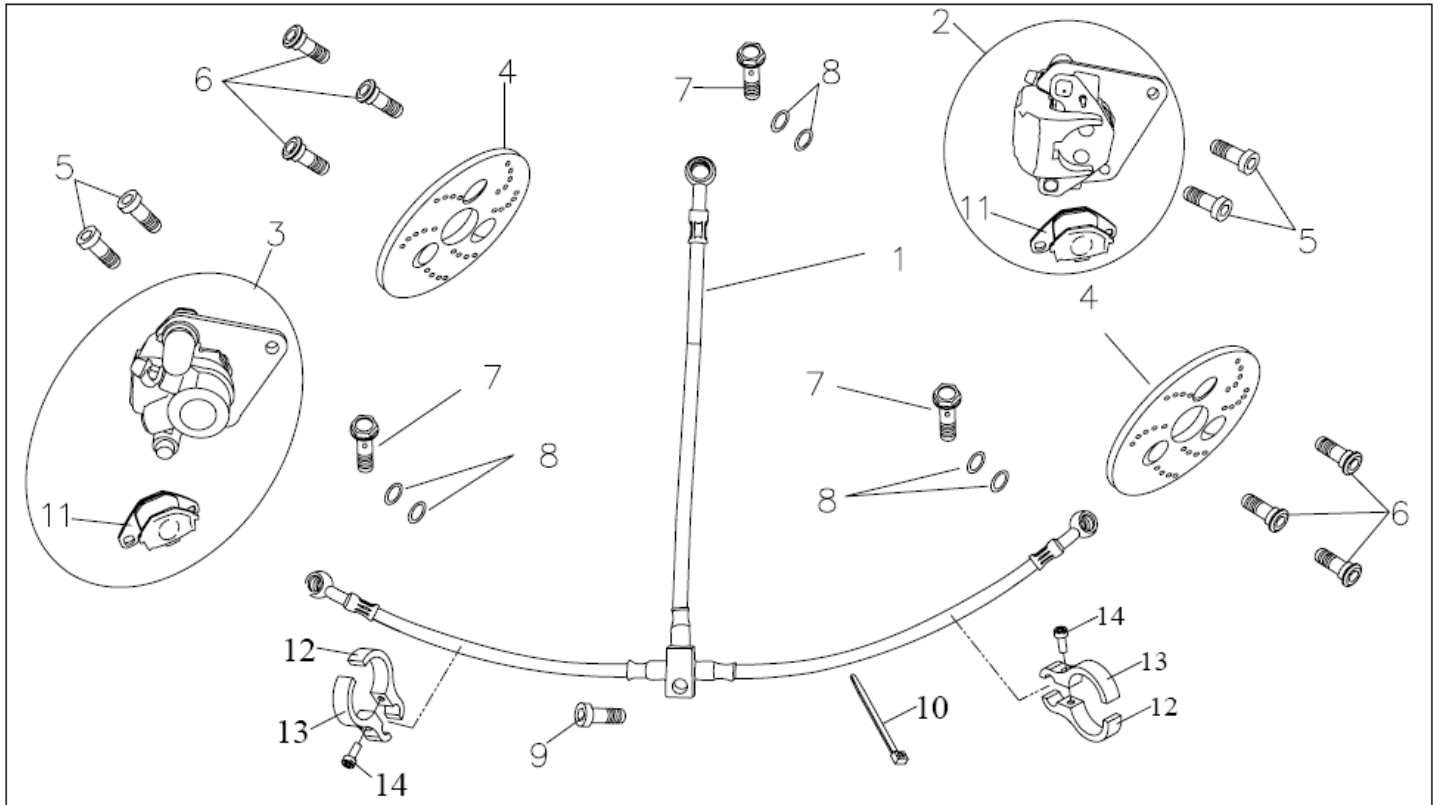


F6, Bearing Housing, R. Disc Brake



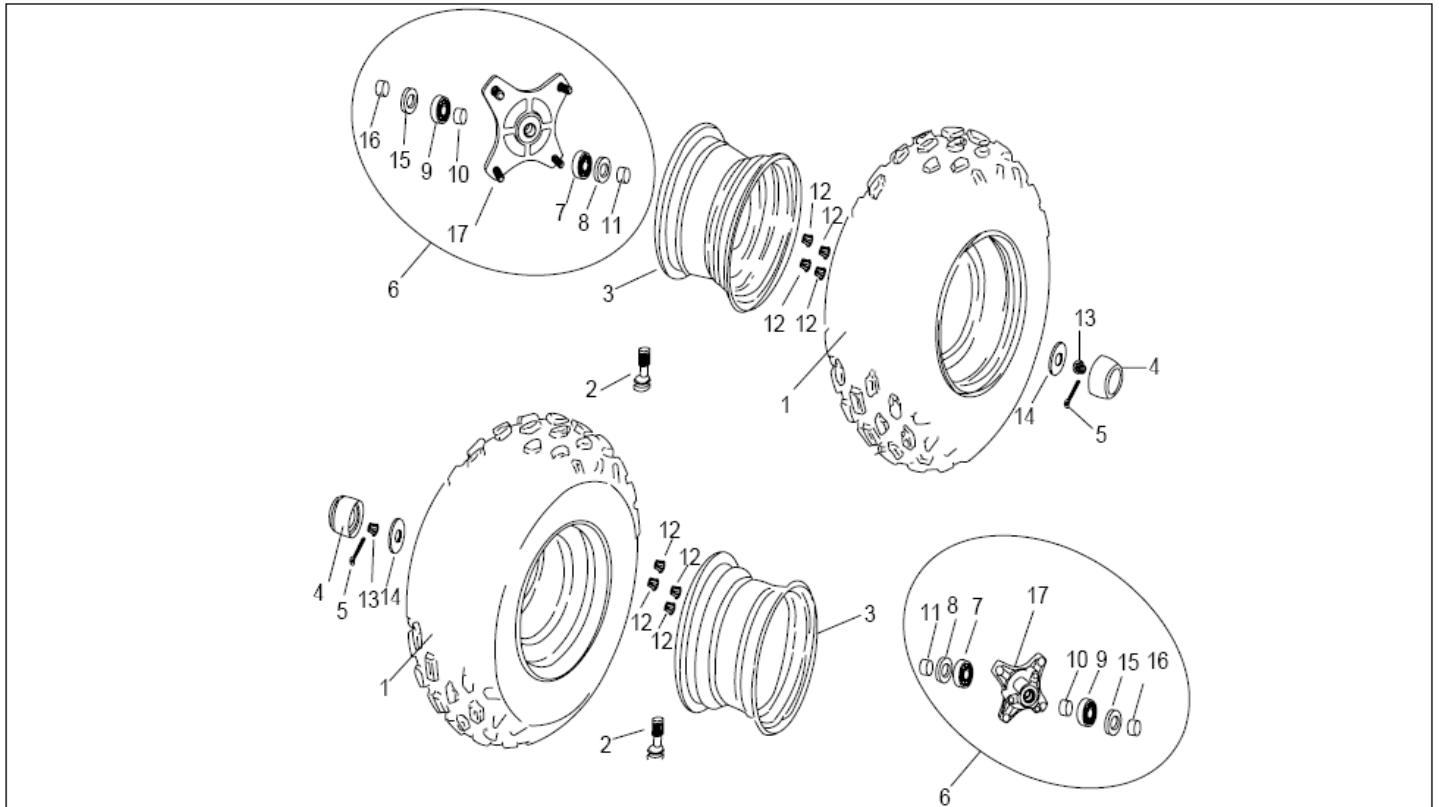
Item	Part No.	Part Name	Spec.	Q'ty
16	47235-3AR-000	Pad Kit, Rear Disc Brake		1
17	50150-3136-136B	Spacer	31*36*136	1
(18)	<b>91001-08012-05B</b>	<b>Hex,Socket Bolt (OPTION)</b>	<b>M8*P1.25-12L</b>	<b>2</b>
(19)	<b>91001-08016-05B</b>	<b>Hex,Socket Bolt (OPTION)</b>	<b>M8*P1.25-16L</b>	<b>2</b>
20	91001-08030-05B	Bolt, Hex. Socket	M8xP1.25-30L	2

F7, Disc Brake, Front



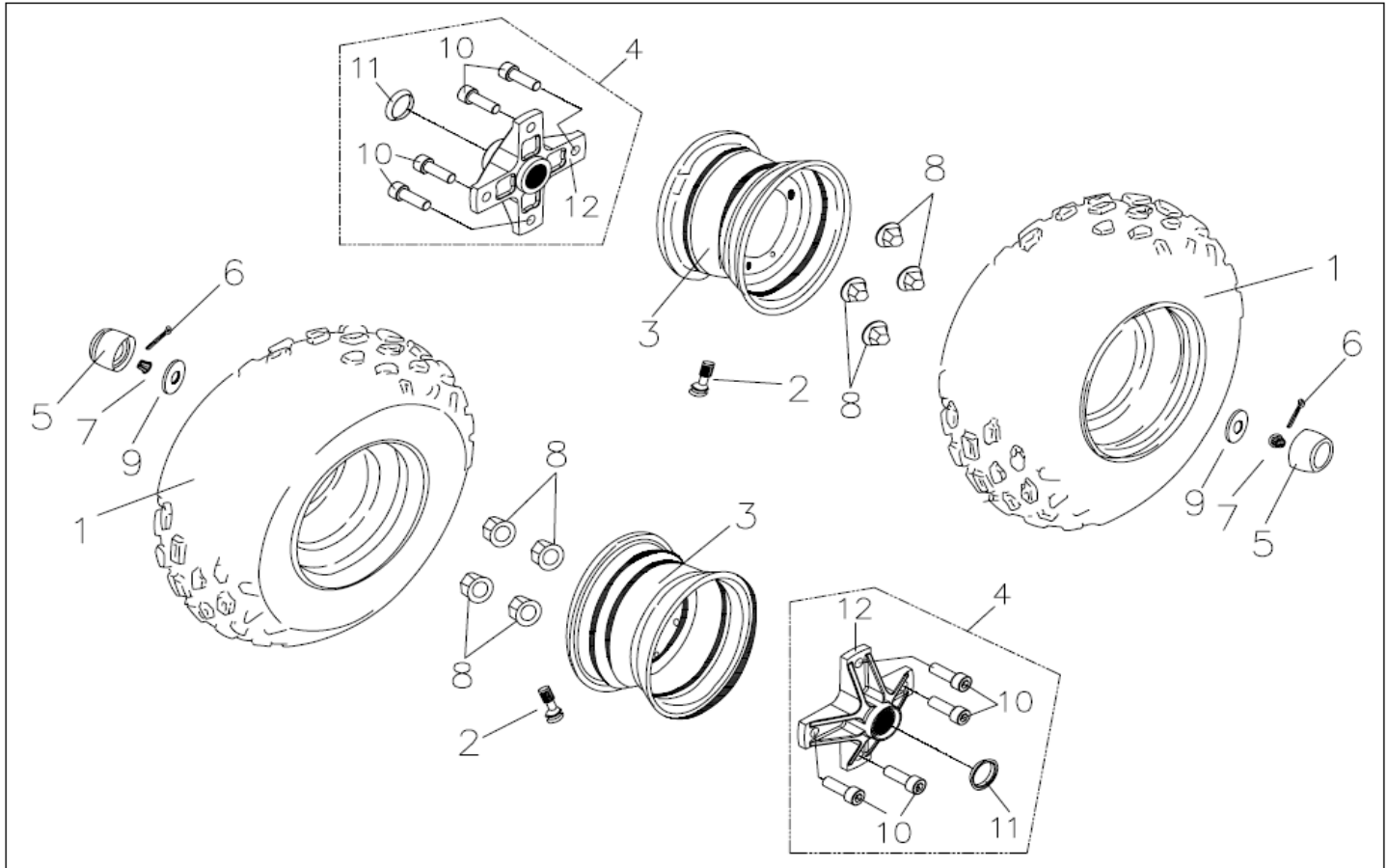
Item	Part No.	Part Name	Spec.	Q'ty
1	47220-7A1-000	Hose, Front Brake	D-Arm, Disc Brake	1
2	47230-3AR-A0A	Caliper Ass'y, Front R.		1
3	47240-3AR-A0A	Caliper Ass'y, Front L.		1
4	47210-3AR-000	Disc, Front Brake	170*58	2
5	91000-08020-2G	Bolt, Hex. Socket	M8*20	4
6	90105-08018-97L	Bolt, Brake Disc	M8*18	6
7	90145-MS9-6110-M	Bolt, Brake Hose	M10×22	3
8	94104-10140-CU	Washer, Copper	10.2×14×1.0	6
9	91000-08025-2G	Bolt, Hex. Socket	M8*25	1
10	89020-3AR-000	Strap	ALT-200MM	3
11	47235-3AR-000	Pad Kit, Rear Disc Front		2
12	TMG-910-090i-2	Clamp-2,Cable	有螺紋	2
13	TMG-910-090i-1	Clamp-1,Cable		2
14	91000-04010-03B	Bolt, Hex. Socket	M4*P10L	2

F8, Wheel & Tires, Front



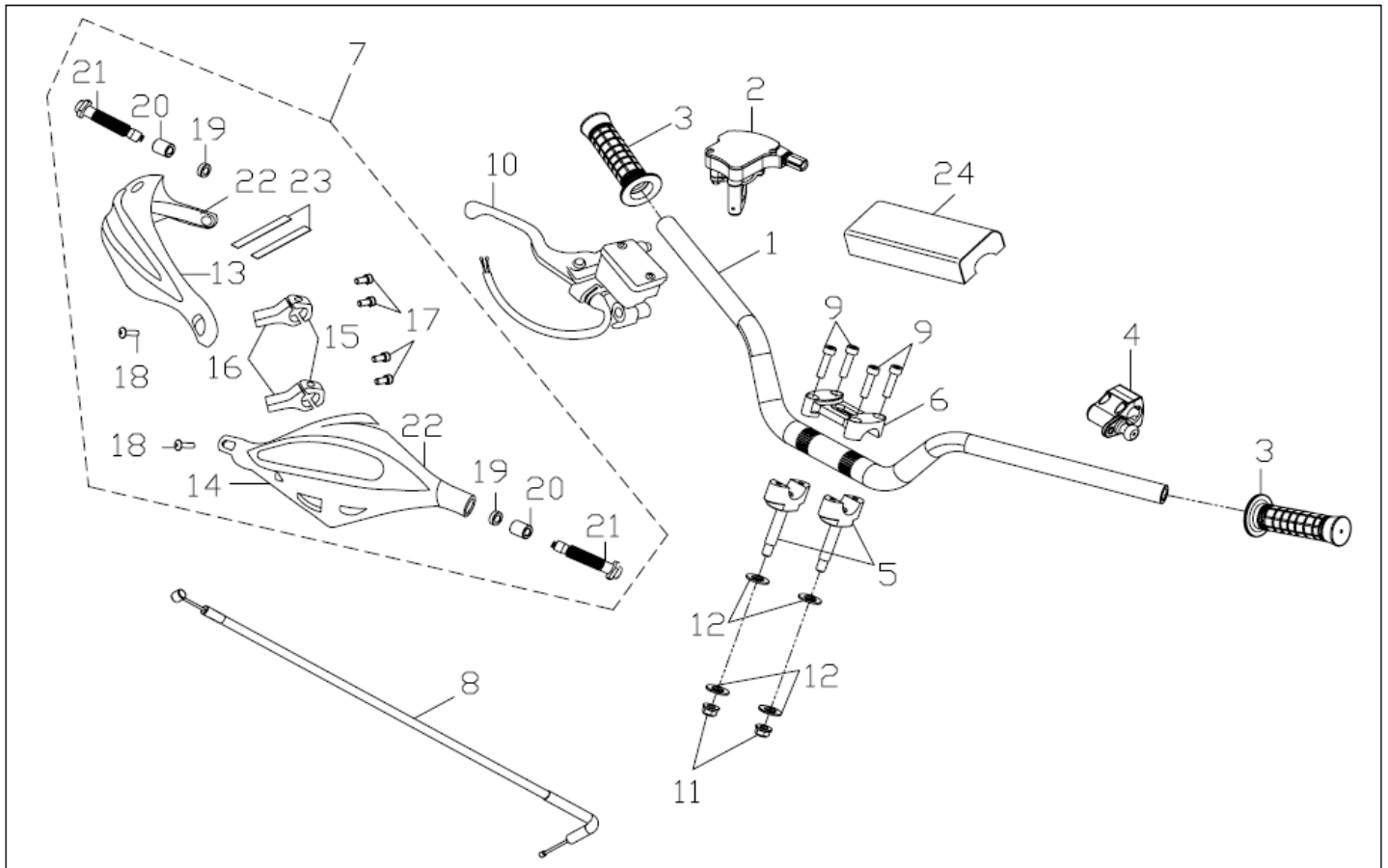
Item	Part No.	Part Name	Spec.	Q'ty
1	44710-200610-DI2023	Tyre	19*6*10	2
2	44711-TR-412	Valve, Tyre	TR-412	2
3	44700-1055-C414590	Rim	10x5.5, 3+2, PCD145	2
4	44720-PK-6142	Center Cap, Wheel		2
5	94201-32425	Cotter Pin	3.2x42.5	2
6	47121-7A1-000	Hub Ass'y., Front Wheel		2
7	96140-6004	Bearing, Ball	6004	2
8	91258-284207	Seal, Oil	28*42*7	2
9	96140-6202	Bearing, Ball	6202	2
10	50150-2116030	Spacer, Inner	21*16*30	2
11	50150-1520010	Spacer, Outer	15*20*10	2
12	90350U-10014-10	Nut, Flange Insert Lock	M10xP1.25	8
13	90351-14000K	Nut	M14xP1.50	2
14	94101-1440050	Washer, Plate	14.3x40x5.0	2
15	91258-203507	Seal, Oil	20*35*7	2
16	50150-2128007	Sapcer	21*28*7	2
17	47121-3AR-000	Hub. Front Wheel	145mm	2

F9, Wheel & Tire, Rear



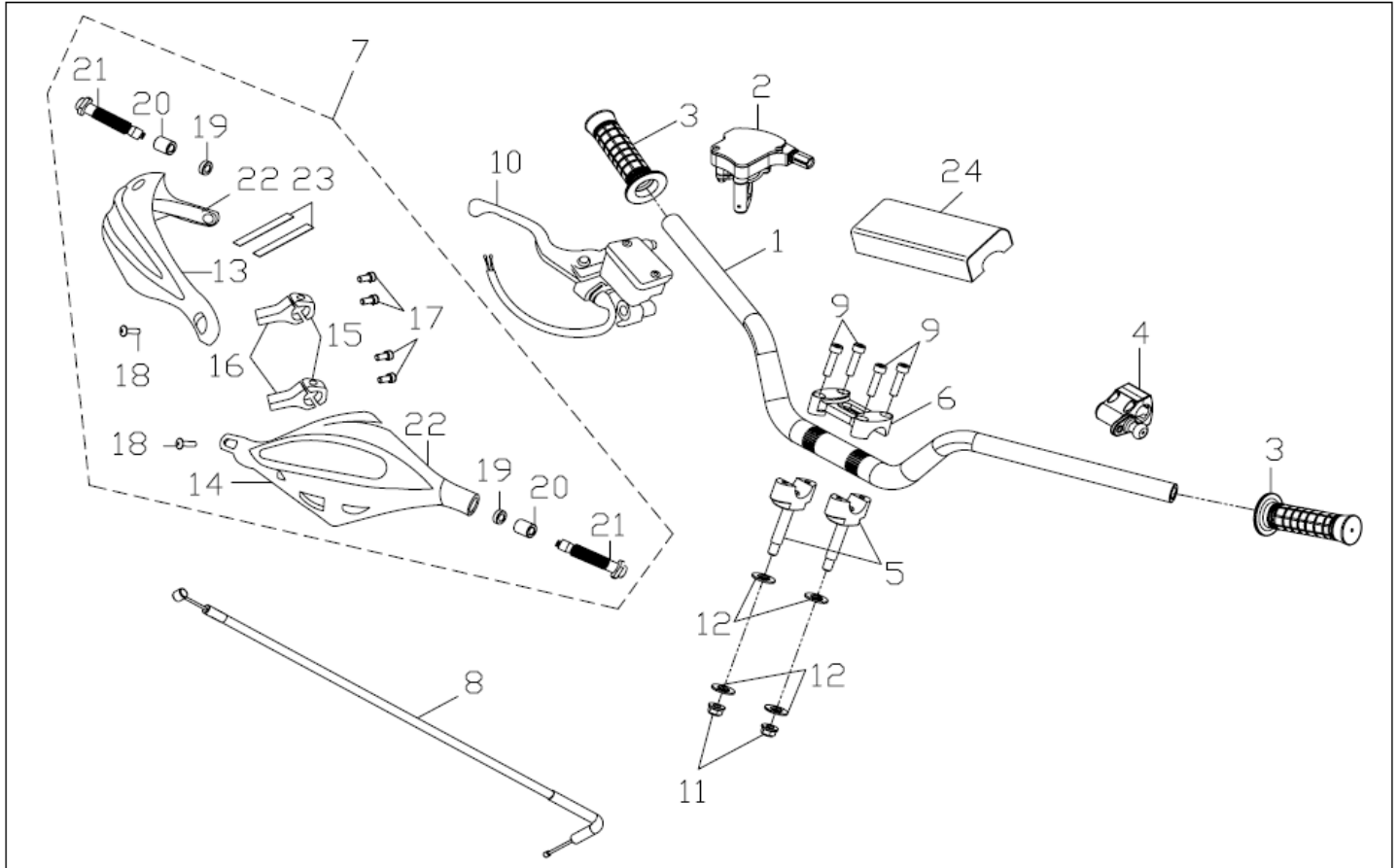
Item	Part No.	Part Name	Spec.	Q'ty
1	44710-189508DI2006	Tyre	18×9.5-8	2
2	44711-TR-412	Valve, Rim	TR-412	2
3	44700-0807-C411090	Rim	8×7, 3+4, PCD110	2
4	42350-7A1-00B	Hub. Ass'y, Rear Wheel	AL, Forging	2
5	44720-PK-6142	Center Cap, Wheel	PK-6142	2
6	94201-32425	Cotter Pin	3.2×42.5	2
7	90351-14022-10	Nut	M14×P1.5	2
8	90350U-10014-10	Nut, Flange Insert Lock	M10×P1.25	8
9	94101-1440050	Washer, Plate	14.3×40×5.0	2
10	91000-10030-08B	Bolt, Hex. Socket	M10*P1.25	8
11	94101-2632-05	Washer, Taper	25.5×32.4×5	2
12	42350-7A1-00B~01	Hub. , Rear Wheel		2

F10, Handlebar



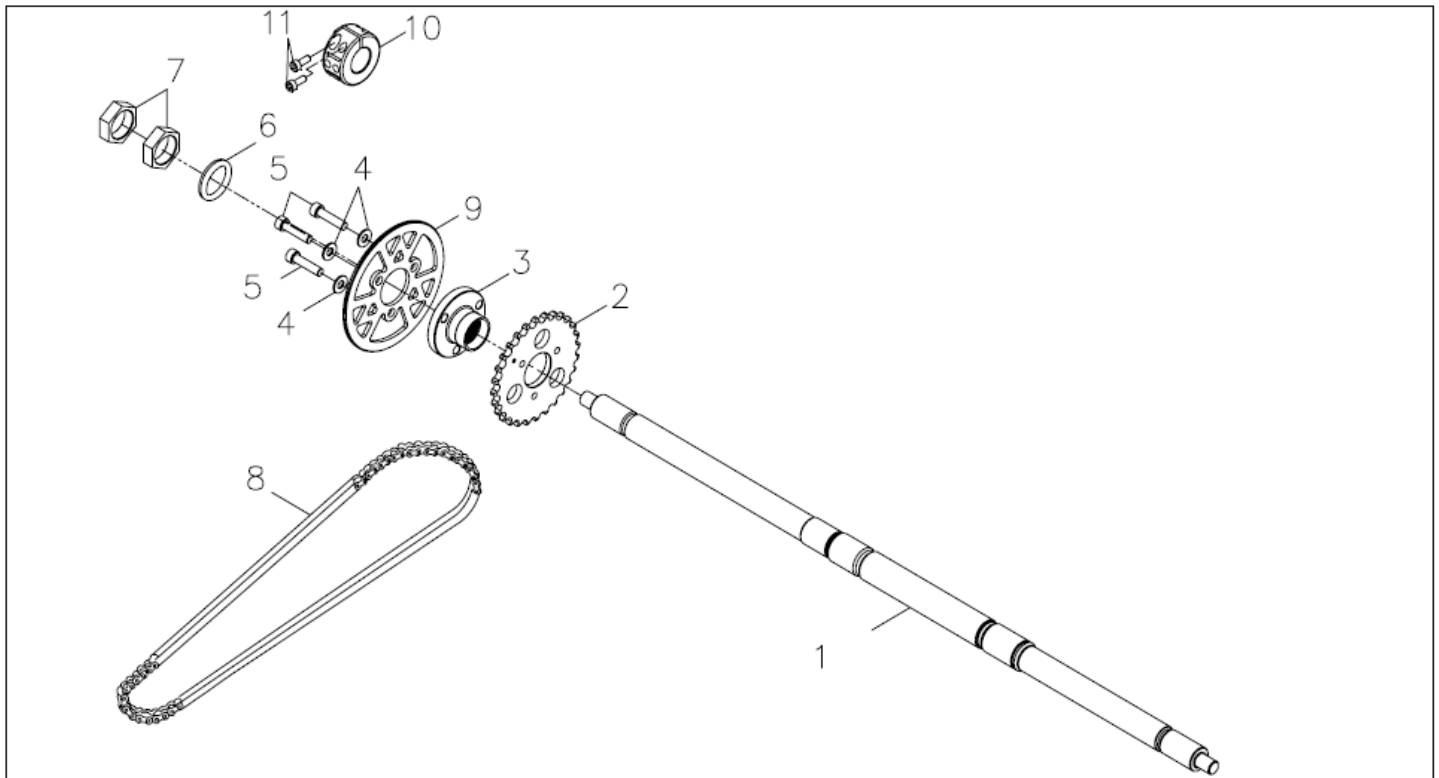
Item	Part No.	Part Name	Spec.	Q'ty
1	53100-7A1-000	Handlebar, AL	28.6mm	1
(2)	<b>56160-TMG-A00</b>	<b>Thumb Assy'y (OPTION)</b>	<b>Billet CNC</b>	<b>1</b>
2	56160-3AR-00A	Thumb Assy'y	OEM	1
3	53110-7A1-000	Grip, Handlebar	HY-603	2
4	17517-AMCO-000	Kill, Switch		1
5	53332-T-118	Bottom Holdar, Handlebar	1-1/8", 39mm	2
6	53320-T-118B	Up Holdar, Handlebar	AL 1-1/8"-66L	1
(7)	<b>53150-7MA-A00</b>	<b>Hand Guard Assy'y (OPTION)</b>	<b>TB管用(大孔)</b>	<b>1</b>
8	17910-7A1-00B	Cable, Throttle		1
9	HSC-08030-S	Bolt, Hex. Socket	M8×30	4
10	56170-3AR-00C	Master Cylinder Ass'y, F.	W/O switch	1
11	NA-12019-B	Nut, Flange Insert Lock	M12×P1.75	2
12	94101-1426020	Washer, Plate	14*26*2.0	4
(13)	<b>53151-TMG-000</b>	<b>R-Hand Guard (OPTION)</b>		<b>1</b>
(14)	<b>53152-TMG-000</b>	<b>L-Hand Guard (OPTION)</b>		<b>1</b>
(15)	<b>53153-7MA-000</b>	<b>Holder A, Hrandle Guard (OPTION)</b>	<b>TB管用(大孔)</b>	<b>2</b>
(16)	<b>53154-7MA-000</b>	<b>Holder B, Hrandle Guard (OPTION)</b>	<b>TB管用(大孔)</b>	<b>2</b>
(17)	<b>91000-05016-04B</b>	<b>Bolt, Hex. Socket (OPTION)</b>	<b>M5×P0.8-16L</b>	<b>4</b>

F10, Handlebar



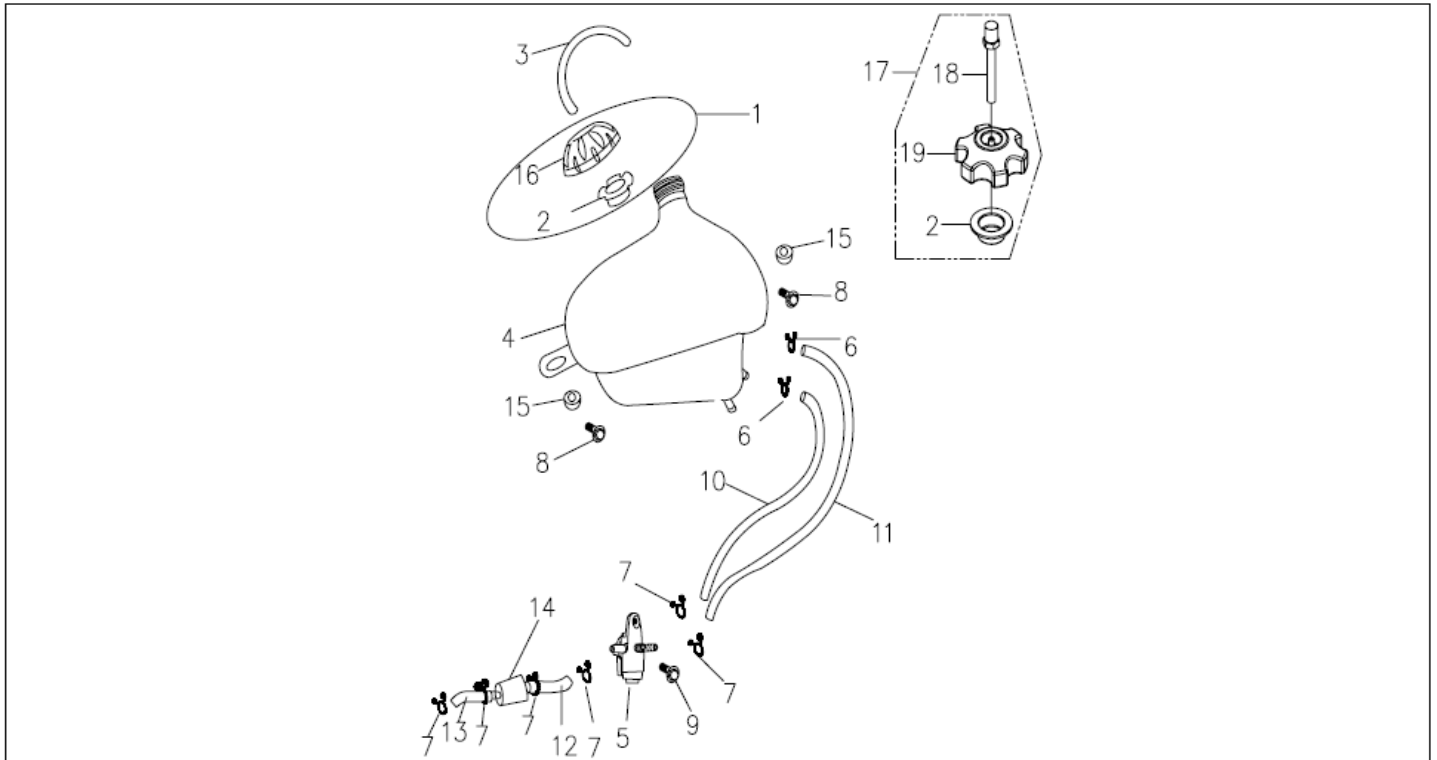
Item	Part No.	Part Name	Spec.	Q'ty
(18)	93701-08020B	Screw, Flat Head (OPTION)	M8*P1.25-20L	2
(19)	53156-TMG-000	Spacer (OPTION)		2
(20)	53157-TMG-000	Spacer, Plastic (OPTION)		2
(21)	53155-TMG-000	Bolt (OPTION)		2
(22)	53158-TMG-000	Stay, Handle Guard (OPTION)		2
(23)	53159-7MA-000	Rubber Band(OPTION)		2
(24)	53120-7A1-000	Pad, Handlebar (OPTION)	方型, APEX	1

F-11 Axle & Sprocket



Item	Part No.	Part Name	Spec.	Q'ty
1	42300-3AR-00B	Axle, Wheel	30×864L	1
2	41200-428025	Sprocket (ALU Sondergröße)	428-25	1
2	41200-428026	Sprocket (ALU Sondergröße)	428-26	1
2	41200-428027	Sprocket (ALU Sondergröße)	428-27	1
2	41200-428028A	Sprocket (ALU Sondergröße)	428-28	1
2	41200-428028	Sprocket	428-28	1
2	41200-428030	Sprocket	428-30	1
2	41200-428031	Sprocket (ALU Sondergröße)	428-31	1
2	41200-428034	Sprocket (ALU Sondergröße)	428-34	1
2	41200-428038	Sprocket (ALU Sondergröße)	428-38	1
3	42615-3AR-000	Bracket, Sprocket		1
4	SW08015 K	Washer, Spring		3
5	91000-08025-2G	Bolt, Hex. Socket	M8*25	3
6	42331-3AR-000	Washer, Spring		1
<b>(6)</b>	<b>42331-3AR-000</b>	<b>Washer, Spring</b>		<b>2</b>
7	42330-3AR-000	Nut, Axle		2
8	40530-428090	Chain	428-90	1
9	42611-7A1-000-BK	Protector, Sprocket	BLACK	1
<b>(10)</b>	<b>42330-7A1-000</b>	<b>Nut, Axle (OPTION)</b>	<b>CNC, BILLET</b>	<b>1</b>
<b>(11)</b>	<b>91000-06025-05B</b>	<b>Bolt, Hex. Socket (OPTION)</b>	<b>1/4"-20L</b>	<b>2</b>

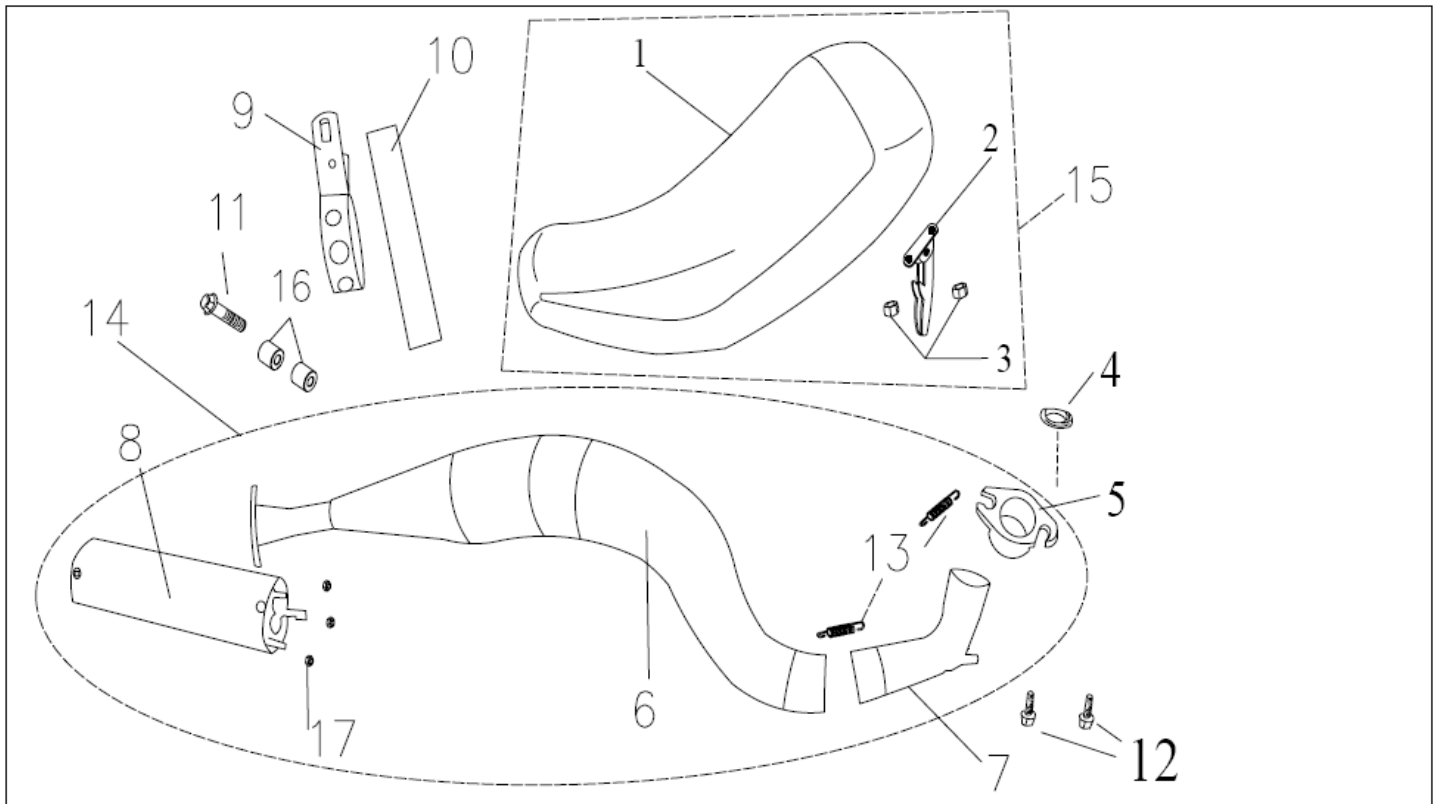
F-12 Fuel Tank



Item	Part No.	Part Name	Spec.	Q'ty
1	17620-3AR-000	Cap Ass'y, Fuel Tank	OEM	1
2	17622-3AR-000	Seal, Cap		1
3	17630-08250	Tube, Breathe	4.5×8×250L	1
4	17510-3AR-000	Tank, Fuel		1
5	16950-3AR-000	Cock Ass'y, Fuel		1
6	17631-3AR-000	Clip, Fuel Tube	0.8*10*13	2
7	16320-08008	Clip, Fuel Tube	8×0.8	6
8	90112-06020-0G	Hex Flange, Shoulder Bolt	M6×20	2
9	95701-06012-07	Bolt , Hex. Flange	M6×12	1
10	17630-08290	Tube A, Fuel	L=290	1
11	17630-08235	Tube B, Fuel	L=235	1
12	17630-10100	Tube C, Fuel	4.5×10×100L	1
13	17630-10110	Tube D, Fuel	4.5×10×110L	1
14	16300-A2C4-000	Filter, Fuel	(PM-13-008)	1
15	17520-3AR-000	Rubber, Fuel Tank		2
16	17623-3AR-000	Cap, Fuel Tank	OEM	1
(17)	<b>17620-7A1-A00</b>	<b>Cap Ass'y, Fuel Tank (OPTION)</b>	<b>AL, CNC Billet</b>	<b>1</b>
(18)	<b>17623-TMG-A00</b>	<b>Berather, Cap (OPTION)</b>	<b>AL, CNC Billet</b>	<b>1</b>
(19)	<b>17623-7A1-000</b>	<b>Cap, Fuel Tank (OPTION)</b>	<b>AL, CNC Billet</b>	<b>1</b>

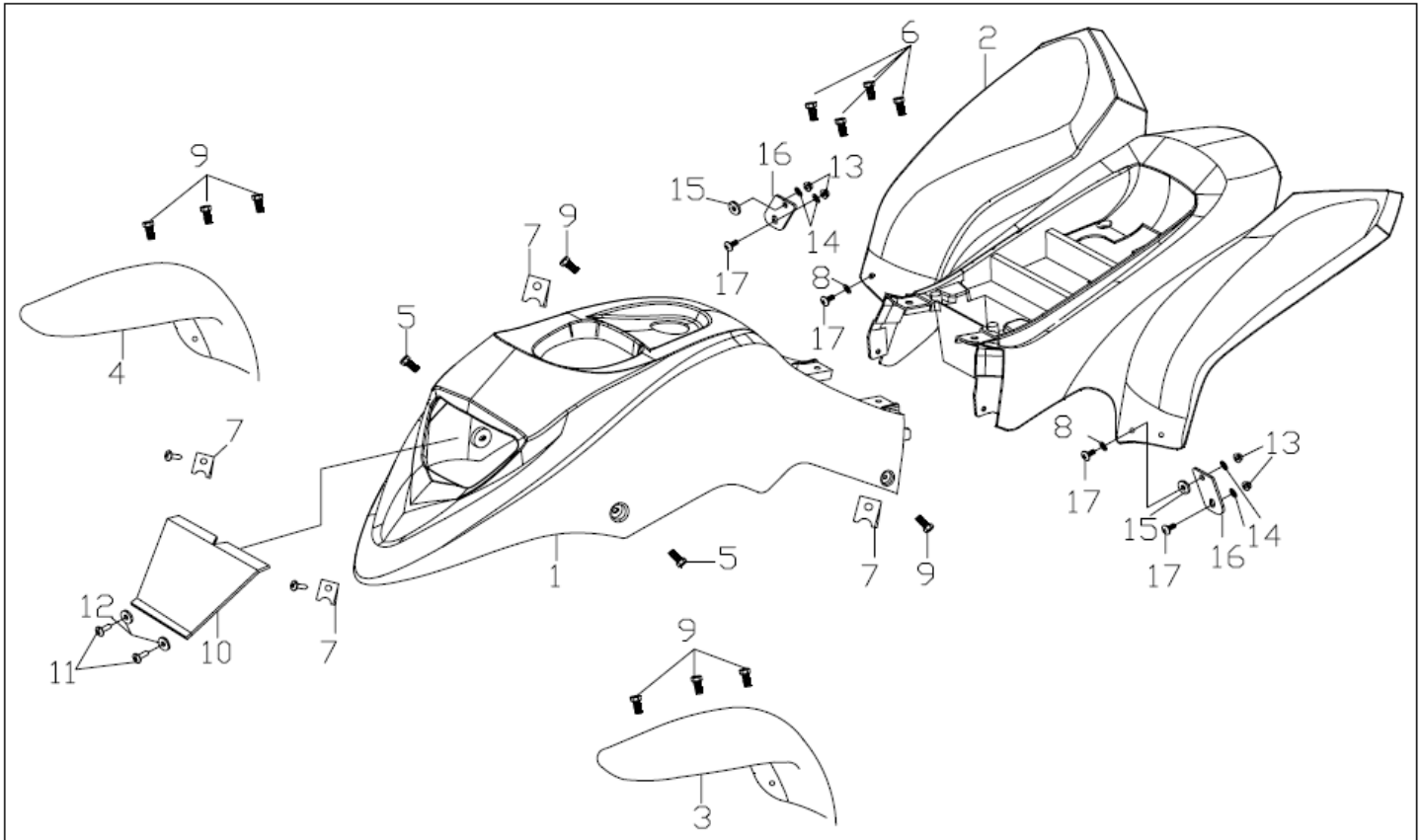


F-13 Seat & Exhaust Pipe (90/100cc)



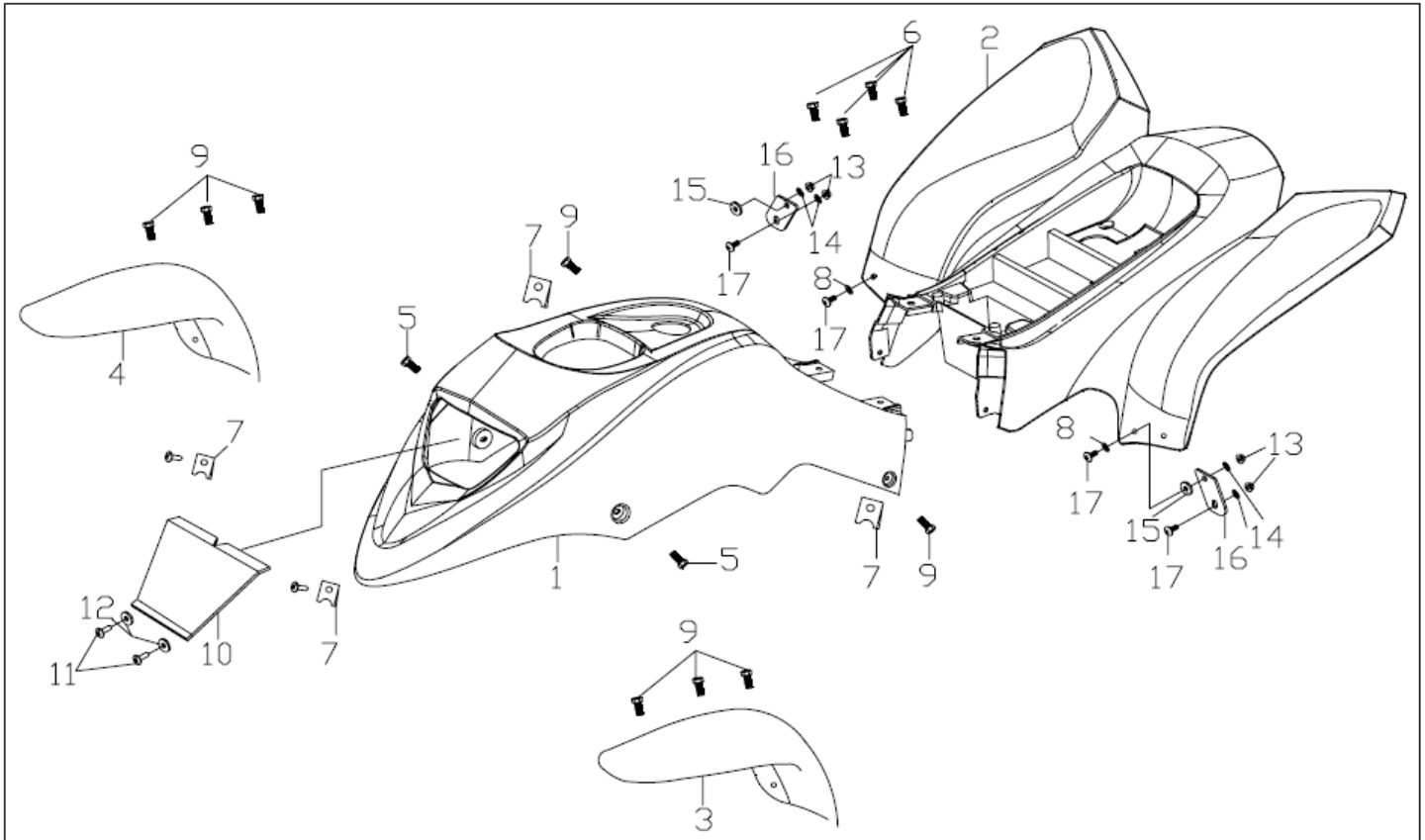
Item	Part No.	Part Name	Spec.	Q'ty
1	77200-3AR-0EM	Seat	ATV-131	1
2	77230-3AR-000	Lock Ass'y, Seat		1
3	94050-06000	Nut, Hex Flange with Serration		2
4	53420-3AR-000	Gasket, Exhaust Pipe		1
5	53480-3AR-00A	Connector, Head Pipe	70/90/100cc	1
6	53400-3AR-00S	Exhaust Pipe	70/90/100cc	1
7	53481-3AR-000	Connector, Middle Pipe	70/90/100cc	1
8	53510-3AR-000	Pipe, Tail		1
9	52411-7A1-000	Clamp, Exhaust Pipe		1
10	53412-3AR-00A	Rubber, Exhaust Pipe		1
11	95701-08055-12B	Bolt , Hex. Flange	M8*55	1
12	91000-06012-18	Hex. Bolt, Socket	M6*12	2
13	53413-3AR-000	Spring, Connector		2
14	A53400-3AR-00S	Pipe Ass'y Exhaust	70/90/100cc	1
15	77000-3AR-0EM	Seat Ass'y	全黑	1
16	50150-0819-16B	spacer, Caliper Ass'y	8*19*16L	2
17	94050-05000	Nut, Hex Flange with Serration		3

F-14 Body Cover



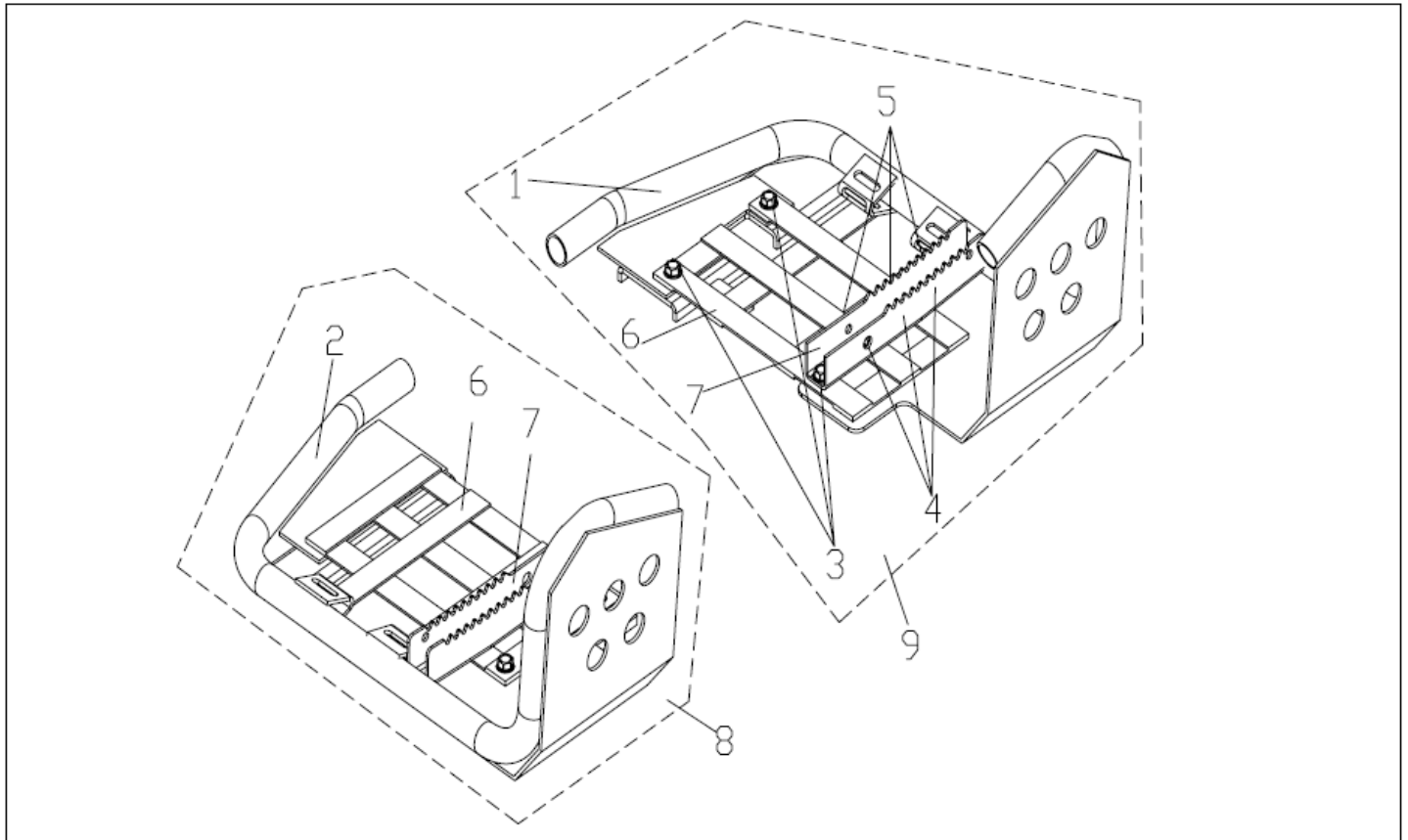
Item	Part No.	Part Name	Spec.	Q'ty
1	61320-3AR-OR0	Body Cover, Front	ORANGE	1
	61320-3AR-BL0	Body Cover, Front	BLUE	1
	61320-3AR-BK0	Body Cover, Front	BLACK	1
	61320-3AR-YE0	Body Cover, Front	YELLOW	1
	61320-3AR-WH0	Body Cover, Front	WHITE	1
	61320-3AR-RE0	Body Cover, Front	RED	1
2	64340-3AR-OR0	Body cover, Rear	ORANGE	1
	64340-3AR-BL0	Body cover, Rear	BLUE	1
	64340-3AR-BK0	Body cover, Rear	BLACK	1
	64340-3AR-YE0	Body cover, Rear	YELLOW	1
	64340-3AR-WH0	Body cover, Rear	WHITE	1
	64340-3AR-RE0	Body cover, Rear	RED	1
3	61200-3AR-ORA	Fender, L.	ORANGE	1
	61200-3AR-BLA	Fender, L.	BLUE	1
	61200-3AR-BKA	Fender, L.	BLACK	1
	61200-3AR-YEA	Fender, L.	YELLOW	1
	61200-3AR-WHA	Fender, L.	WHITE	1
	61200-3AR-REA	Fender, L.	RED	1

F-14 Body Cover



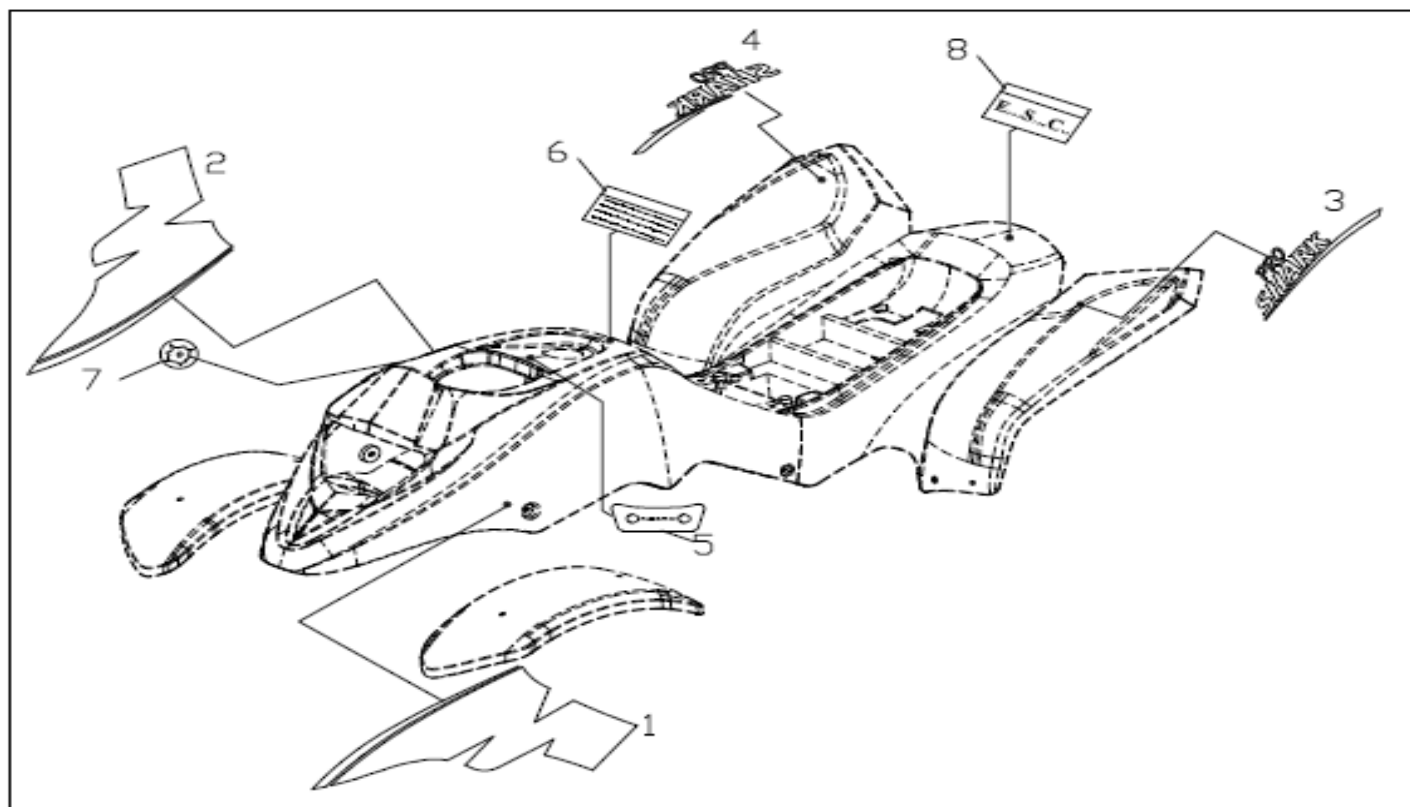
Item	Part No.	Part Name	Spec.	Q'ty
4	61100-3AR-ORA	Fender, R.	ORANGE	1
	61100-3AR-BLA	Fender, R.	BLUE	1
	61100-3AR-BKA	Fender, R.	BLACK	1
	61100-3AR-YEA	Fender, R.	YELLOW	1
	61100-3AR-WHA	Fender, R.	WHITE	1
	61100-3AR-REA	Fender, R.	RED	1
5	93404-06012-07	Bolt ,Hex. Flange with Washer	M6*12	2
6	90005-06012-17	Bolt, Flate	M6*12	4
7	90344-06000K	Plate, Spring		2
8	93103-06014-08N	Washer, Nylon		2
9	93404-06016-10G	Bolt ,Hex. Flange with Washer	M6*16	8
10	34310-3AR-000	Mesh		1
11	TT-105120-U3	Bolt, Flate	M5*12	2
12	FW05014 K	Washer, Plate	5.6*14*0.8	2
13	NN-06010B	Nut, Hex Lock	M6xP1.0	4
14	94101-061810-B	Washer, Plate	6.2*18*1.0	4
15	50536-7A1-000	Damper, Rubber	7x20x3	2
16	52525-7A1-001	Stay, Rear Cover		2
17	93701-06016B	Screw, Flat Head	M6*16	4

F15 NERF Bar



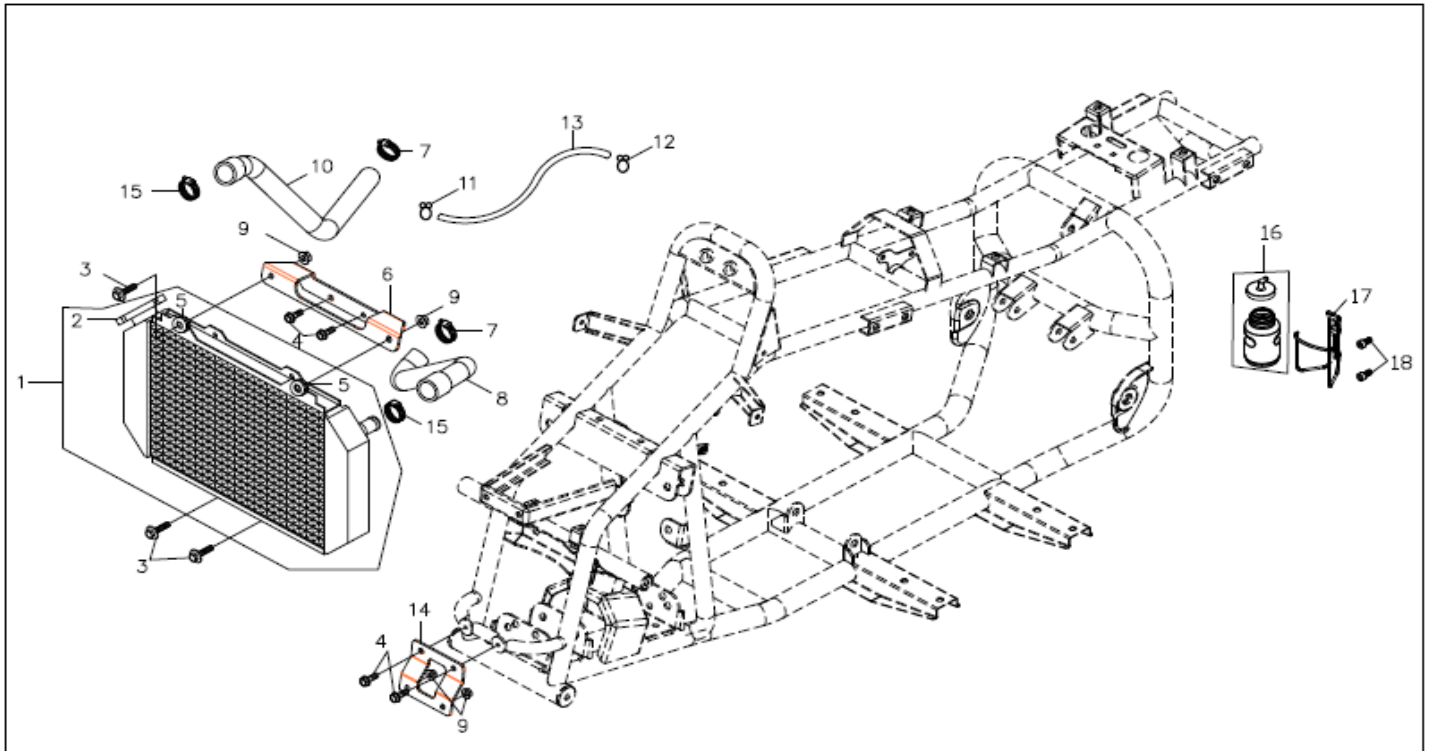
Item	Part No.	Part Name	Spec.	Q'ty
1	50820-7A1-000-SI	R. Bar, Nerf	SILVER	1
	50820-7A1-000-BK	R. Bar, Nerf	BLACK	1
2	50810-7A1-000-SI	L. Bar, Nerf	SILVER	1
	50810-7A1-000-BK	L. Bar, Nerf	BLACK	1
3	94000-08016	Hex. Acorn Washer Face Nut	M8×16	8
4	94000-06065	Hex. Acorn Washer Face Nut	M6x65	6
5	NN-06010-B	Nut, Hex Lock	M6×P1.0	6
6	50821-3AR-00A	Net		2
7	50840-3AR-00A	Peg, Foot		2
8	50813-7A1-000	L. Bar, Ass'y Nerf	SILVER	1
	50813-7A1-00A	L. Bar, Ass'y Nerf	BLACK	1
9	50823-7A1-000	R. Bar, Ass'y Nerf	SILVER	1
	50823-7A1-00A	R. Bar, Ass'y Nerf	BLACK	1

F-16 Sticker (ESC)



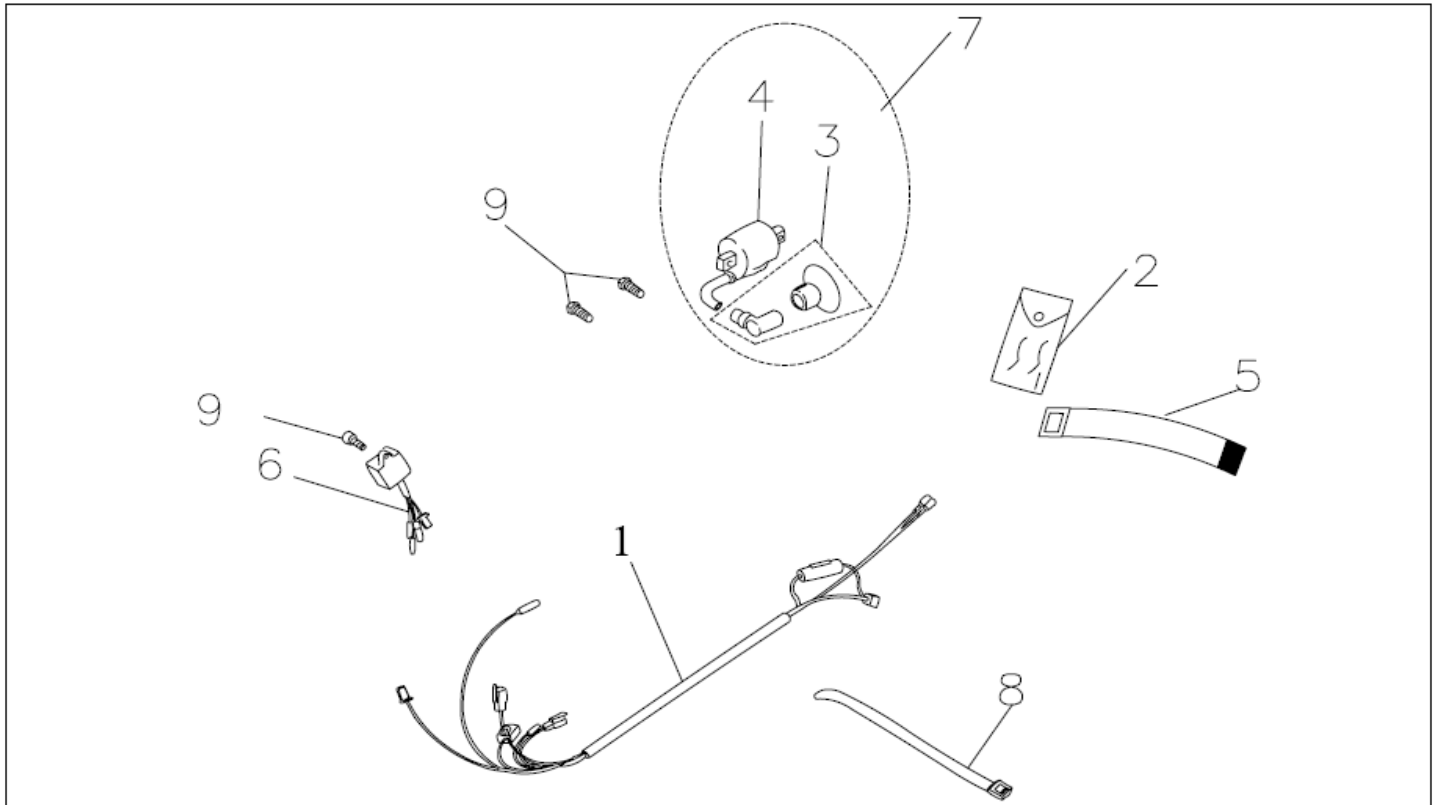
Item	Part No.	Part Name	Spec.	Q'ty
1	61321-7A1-000-NL	Side Sticker, L.		1
2	61322-7A1-000-NL	Side Sticker, R.		1
3	64341-3AR-1EM	Rear Sticker, L.	BLACK, BLUE Bike	1
	64341-3AR-0EM	Rear Sticker, L.	RED, YELLOW, ORANGE	1
4	64342-3AR-1EM	Rear sticker, R.	BLACK, BLUE Bike	1
	64342-3AR-0EM	Rear sticker, R.	RED, YELLOW, ORANGE	1
5	61323-3AR-000	Sticker, Front		1
6	61327-3AR-00EM	Warning Label, Oil Mixture		1
7	61329-3AR-000	Sticker, Key Switch		1
8	61324-7A1-000-NL	ESC Label		1

F17, Radiator (ESC)



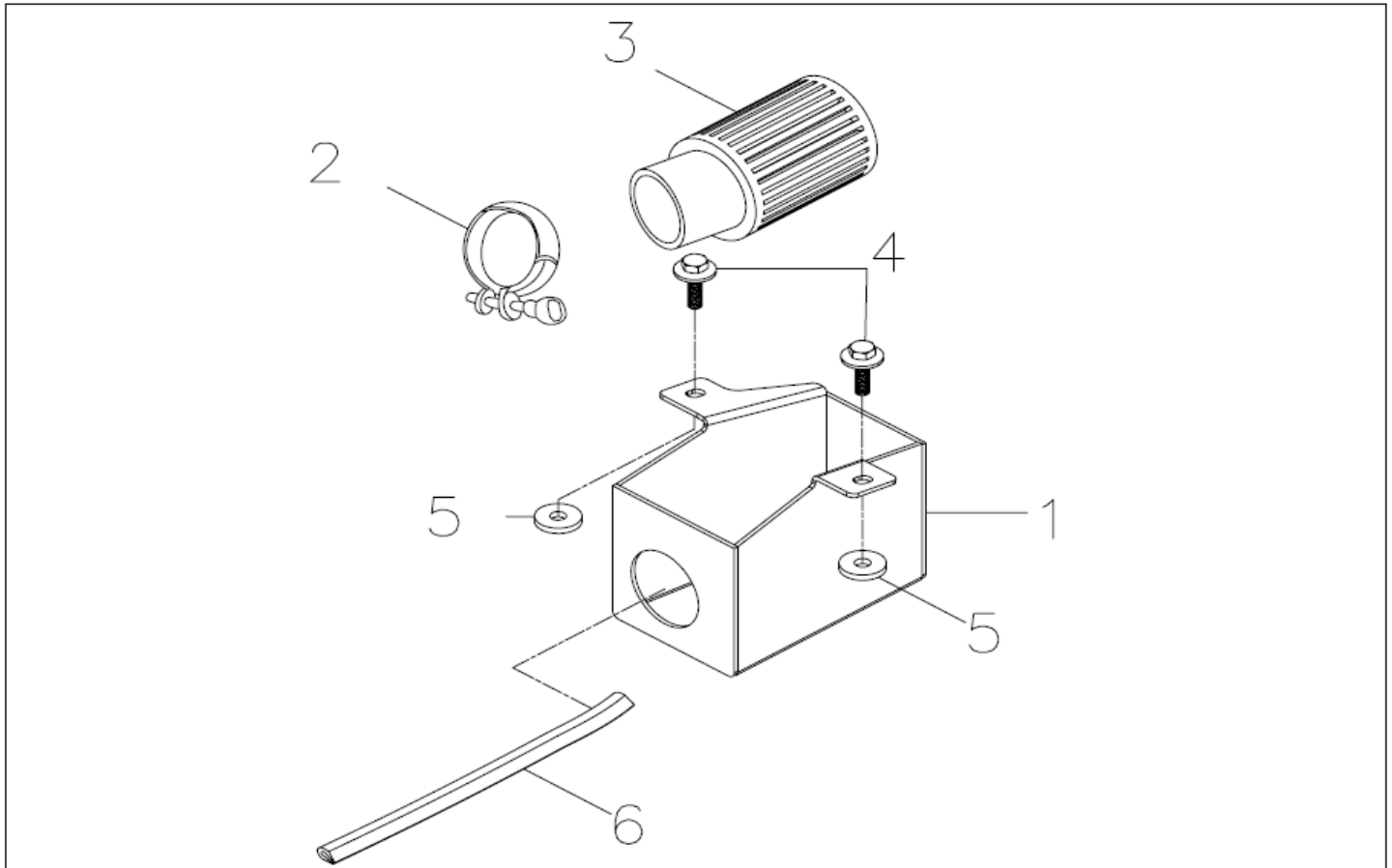
Item	Part No.	Part Name	Spec.	Q'ty
1	15231-7A1-A00	Radiator	AL	1
2	15232-7A1-000	Cap, Liquid Cooler		1
3	93404-06025-07G	Bolt ,Hex. Flange with Washer	M6*25	4
4	95701-06012-07	Bolt, Hex. Socket	M6×12	4
5	15234-7A1-000	Rubber Absorber, Radiator		4
6	15235-7A1-00A	Top Saty, Radiator		1
7	16411-A2DL-000	Clamp, Hose	美式 1 1/4"	4
8	15328-7A1-000	Hose A, Liquid		1
9	90350U-06000K	Nut, Flange Insert Lock	M6*P1.0	4
10	15327-7A1-000	Hose B, Liquid		1
11	16320-08008	Clip	8*0.8	1
12	16320-10012	Clip	10*1.2	1
13	95005-07300	Tube, Overflow		1
14	15236-7A1-00A	Bottom Stay, radiator		1
15	16411-7A1-000	Clamp, Hose	美式 1 1/4"	2
16	19200-3AR-000	Aux. Tank Kit, Liquid		1
17	19210-3AR-00A	Bracket, Aux. Liquid Tank		1
18	91000-06010-07	Bolt, Hex. Socket	M6×10	2

F18, Electrical



Item	Part No.	Part Name	Spec.	Q'ty
1	32100-3AR-00D	Wire, Electric	Racing, W/O E-start	1
2	89010-3AR-000	Tool		1
3	30700-3AR-000	Cap, Spark Plug		1
4	30500-3AR-000	Coil, Ignition		1
5	89011-3AR-000	Band, Tool		1
6	30410-3AR-00A	C.D.I Unit	Racing	1
7	30600-3AR-000	Coil Ass'y, Ignition		1
8	89020-3AR-000	Strap	ALT-200MM	5
9	95701-06016-07	Bolt, Hex. Flange	M6x16	3

F-19 Air Box



Item	Part No.	Part Name	Spec.	Q'ty
1	17316-7A1-00A	Air Box		1
2	16411-A2C4-00B	Clamp	32/50	1
3	17300-7A1-000	Air Box	(RU1280)	1
4	93404-06016-10G	Bolt ,Hex. Flange with Washer	M6*16	2
5	50536-7A1-000	Damper, Rubber		2
6	17800-8A1-000	Panel	210L	1